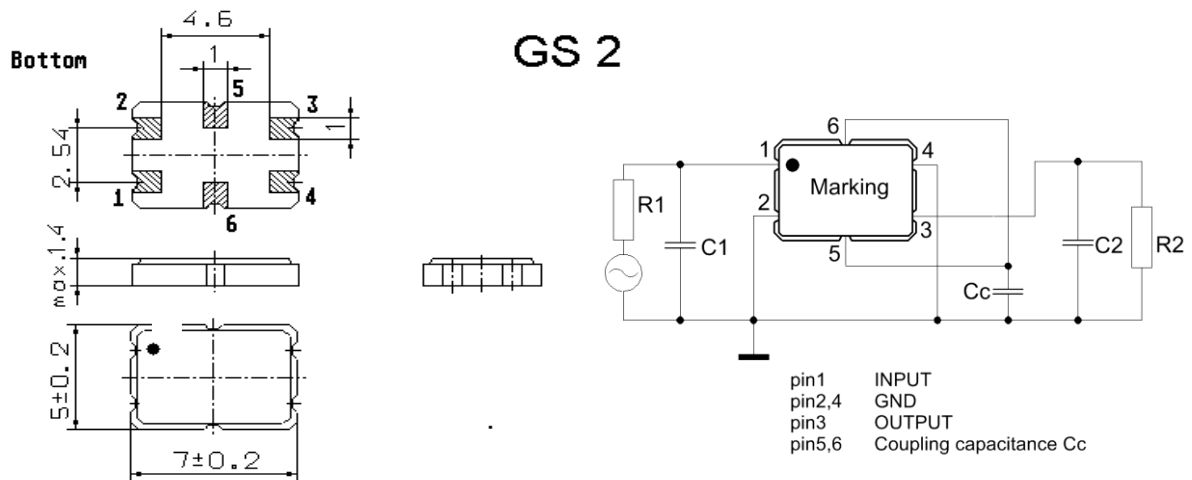


Specification for monolithic crystal filter: **MQF 73.35 - 1500/02**

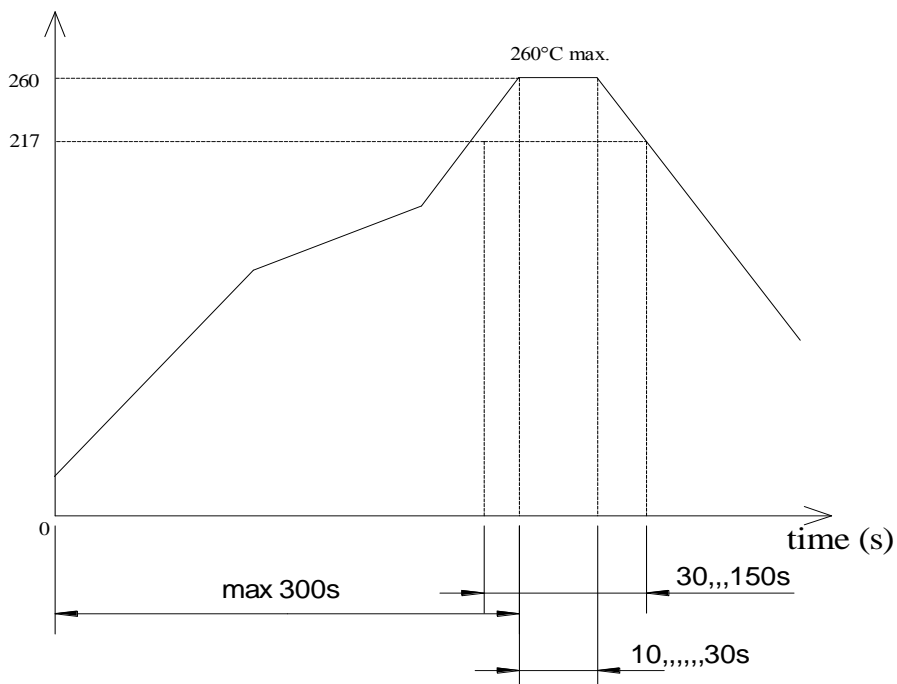
1. General

1.1. Package:



- | | |
|-----------------------------------|-------------------|
| 1.2. Type name: | MQF 73.35-1500/02 |
| 1.3. Number of poles: | 4 |
| 1.4. Operating temperature range: | -20°C to +70°C |
| 1.5. Storage temperature range: | -30°C to +80°C |

temperature (°C)



Reflow soldering: three times max.

2. Electric values

2.1. Nominal centre frequency f_0 : 73.35 MHz

2.2. Pass band

2.2.1. Bandwidth between 3 dB - frequencies: $> f_0 \pm 7.5$ kHz

2.2.2. Ripple: < 1.0 dB at $f_0 \pm 5.0$ kHz

2.2.3. Insertion loss:
(measured on smallest attenuation in pass band) < 5.0 dB

2.3. Stop band

2.3.1. $f_0 \pm 30$ kHz > 30 dB

2.3.2. $f_0 - 910$ kHz > 70 dB (except spurious)

2.4. Terminating impedance R//C (input and output): $350 \Omega // 4.0$ pF
Coupling capacity Cc: 12.5 pF

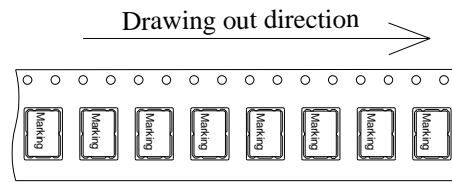
3. Marking: • M7335A2
yyww

4. Environment conditions: Corresponding to Vectron standard CF001

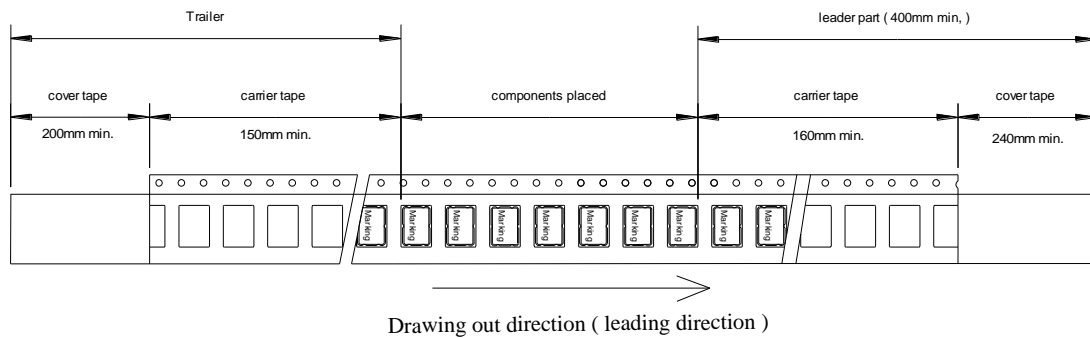
5. Filters are Pb-free and 2002 /95 / EC RoHS compliant

6. Packing

maximum 1000 pcs. / reel

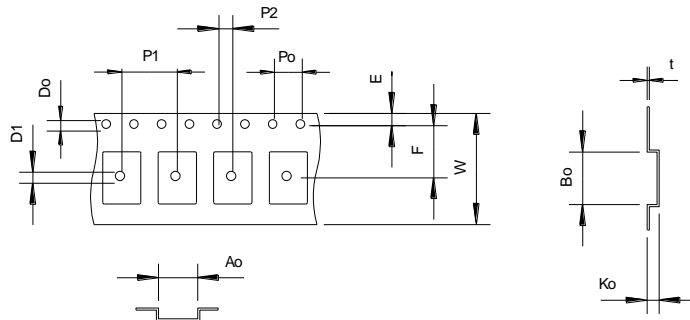


Tape dimension (mm)



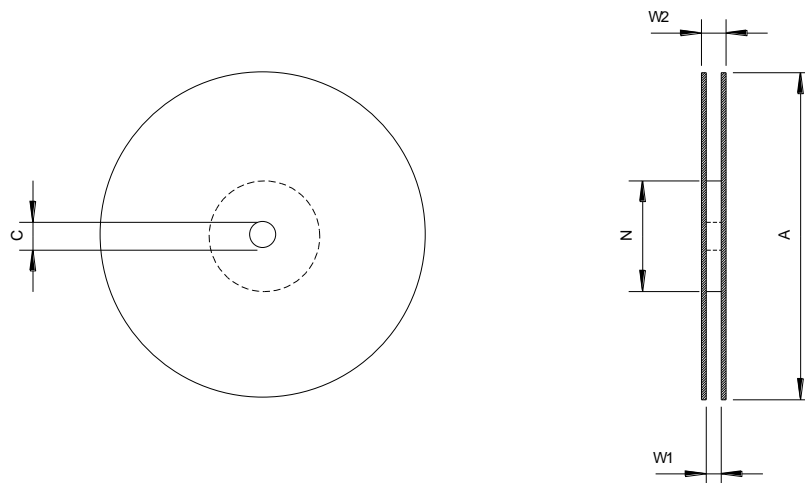
Tape (all dimensions in mm)

- W: 16.0 ± 0.1
- Po: 4.0 ± 0.1
- P1: 8.0 ± 0.1
- P2: 2.0 ± 0.1
- Do: 1.5 +0.1 / -0
- D1: 1.6 +0.1 / -0
- E: 1.75 ± 0.1
- F: 7.5 ± 0.1
- Ko: 1.7 ± 0.1
- Ao: 5.6 ± 0.1
- Bo: 7.6 ± 0.1
- t: 0.3 ± 0.05



Reel (all dimension in mm)

- A: $\varnothing 178 \pm 2$
- C: $\varnothing 13 \pm 0.5$
- N: $\varnothing 60 \pm 1$
- W1: 17.5 ± 1.5
- W2: 21.5 ± 1.5



Edited by: _____ date: _____ name: _____