

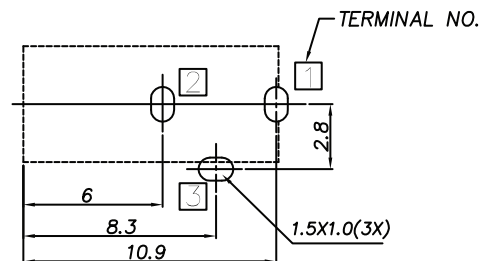
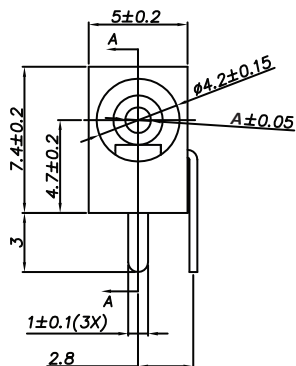
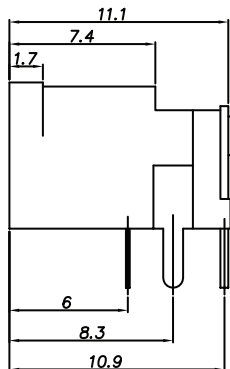
1

2

3

4

5



PCB LAYOUT - COMPONENT VIEW  
TOLERANCE ± 0.05

#### TECHNICAL CHARACTERISTICS

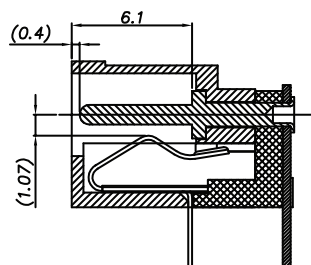
**MATERIAL**  
 INSULATOR: PA 66  
 FLAMABILITY RATING: UL94-V0  
 COLOR: BLACK  
 CONTACT MATERIAL: COPPER ALLOY  
 CONTACT TYPE: STAMPED  
 PLATING:  
 - CENTER PIN: GOLD  
 - CENTER PIN TERMINAL: TIN  
 - SHUNT TERMINAL: TIN  
 - TIP SPRING: TIN  
 QUALITY CLASS: 5000 MATING CYLCES

**ENVIRONMENTAL**  
 OPERATING TEMPERATURE: -40°C UP TO +85°C  
 COMPLIANCE: LEAD FREE AND ROHS

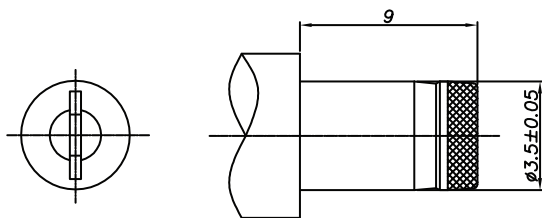
**ELECTRICAL**  
 CURRENT RATING: 2A  
 WORKING VOLTAGE: 30 VDC  
 INSULATION RESISTANCE: >100 MΩ  
 DIELECTRIC WITHSTANDING VOLTAGE: 500 VAC/MIN  
 CONTACT RESISTANCE: 50 mΩ max

**SOLDERING**  
 JEDEC LEAD FREE WAVE SOLDERING PROCESS

**PACKAGING**  
 BAG

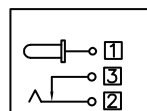


SECTION A-A



DC MATE PLUG

Ø A	1.0	1.3
XX	02	03
PLUG INNER Ø	1.05 <sup>+0.10</sup> <sub>-0.00</sub>	1.35 <sup>+0.10</sup> <sub>-0.00</sub>
PLUG OUTER Ø	3.5±0.05	3.5±0.05



CIRCUIT DIAGRAM

□ : TERMINAL NO.

RoHS Compliant

PROJECTION:



GENERAL TOLERANCE

X =  $\pm$  0.50

.X =  $\pm$  0.30

.XX =  $\pm$  0.20



APPROVAL: RJ

UNIT: MM

SCALE:

SHEET: 1/3

DRAW: AS

DESCRIPTION: DC POWER JACK - RIGHT ANGLED - THT - 1.0 & 1.3Ø

WERI PART NO: 694 1xx 303 002

SIZE

**A4**

G			
F			
E			
D			
C			
B			
A	08-SEP-14	PDF	AS
REV	DATE	FILE	BY

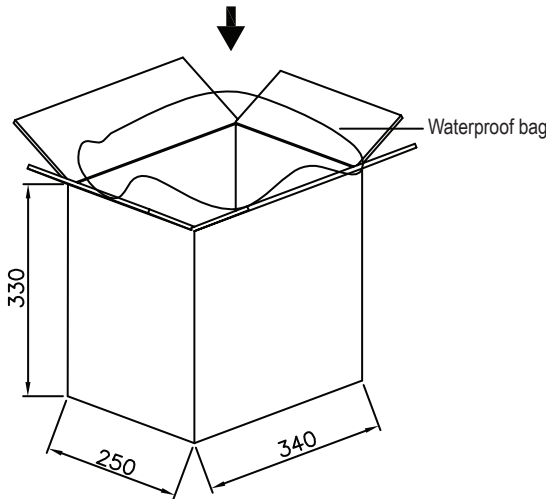
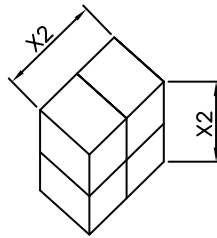
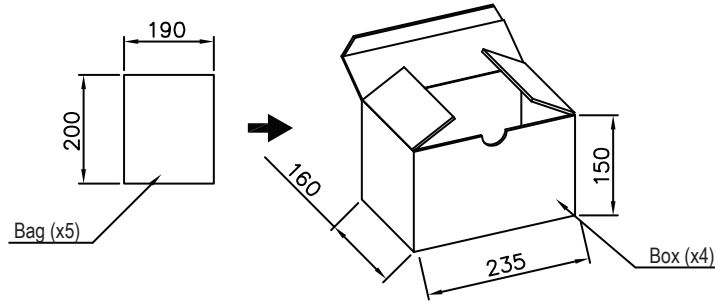
1

2

3

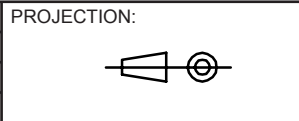
4

5



1000 pcs/bag
5 bags/box 5000 pcs/box
4 boxes/carton 20000 pcs/carton

RoHS Compliant			
G			
F			
E			
D			
C			
B			
A	23-JUL-14	PDF	AS
REV	DATE	FILE	BY



GENERAL TOLERANCE  
 .X = +/- 0.2  
 .XX = +/- 0.15



APPROVAL: RJ

UNIT: MM  
 SCALE:  
 SHEET: 2/3  
 DRAW: AS

DESCRIPTION: DC POWER JACK - RIGHT ANGLED - THT - 1.0 & 1.3Ø  
 WERI PART NO: 694 1xx 303 002

SIZE  
**A4**

A

B

C

D

1

2

3

4

5

## Cautions and Warnings:

This electronic component is designed and developed with the intention for use in general electronics equipments.

Before incorporating the components into any equipments in the field such as aerospace, aviation, nuclear control, submarine, transportation, (automotive control, train control, ship control), transportation signal, disaster prevention, medical, public information network etc. where higher safety and reliability are especially required or if there is possibility of direct damage or injury to human body, Würth Elektronik must be asked for a written approval.

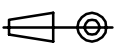

In addition, even electronic component in general electronic equipments, when used in electrical circuits that require high safety, reliability functions or performance, the sufficient reliability evaluation-check for the safety must be performed before by the user before usage.

A

B

C

RoHS Compliant

G				PROJECTION: 	GENERAL TOLERANCE .X = +/- 0.2 .XX = +/- 0.15		
F							
E							
D							
C				APPROVAL: JC	UNIT: MM	DESCRIPTION: DISCLAIMER	SIZE <b>A4</b>
B					SCALE:		
A	10-SEP-14	PDF	QL		SHEET: 3/3	WERI PART NO: DISCLAIMER	
REV	DATE	FILE	BY		DRAW: QL		

D