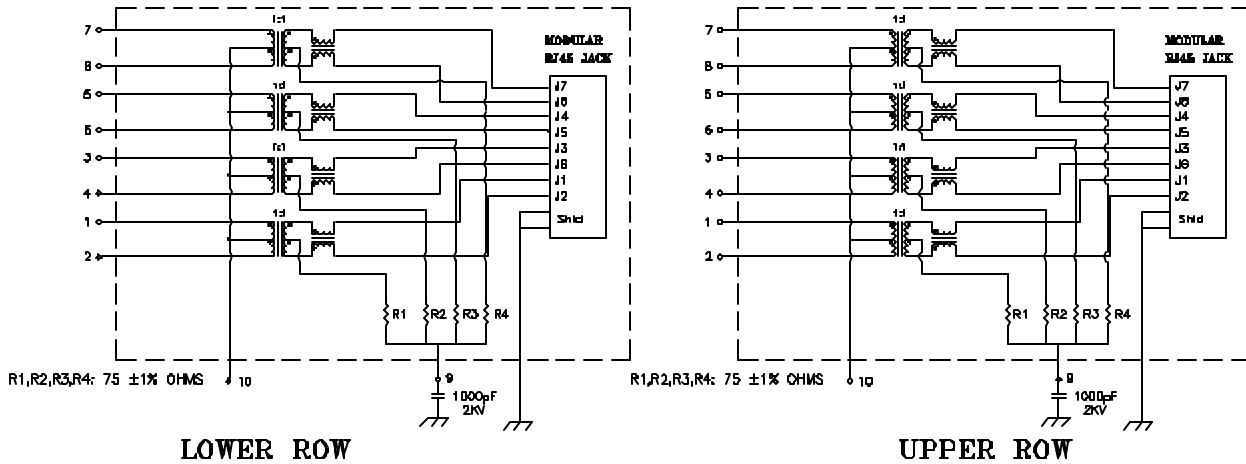


Schematic:



Electrical Specifications: @25°C

ISOLATION: 1500 Vrms

URNS RATIO: (PRI/SEC) 1CT:1CT ±2%

OCL: 350uH MIN @100KHz 100mV 8mADC

Rise Time: 1.75ns Max.

INSERTION LOSS: -1.0dB MAX @1MHz-100MHz
-1.5dB MAX @100-125MHz

RETURN LOSS: -18dB Min @1-30MHz
-15dB Typ @40MHz -13.1dB Typ @50MHz
-12dB Typ @60-80MHz -10dB Typ @100MHz

Differential to Common Mode Rejection:
-43dB Min @30MHz -37dB Min @80MHz
-33dB Min @100MHz

CMRR: -30dB Min @1-100MHz

Crosstalk: -45dB Min @30MHz
-40dB Min @60MHz -35dB Min @100MHz

Notes:

- Solderability: Leads shall meet MIL-STD-202, Method 20BD for solderability.
- Flammability: UL94V-0
- ASTM oxygen index: > 28%
- Insulation System: Class F 155°C. UL file E151556
- Operating Temperature Range: All listed parameters are to be within tolerance from -40°C to +85°C
- Storage Temperature Range: -55°C to +125°C
- Aqueous wash compatible
- Electrical and mechanical specifications 100% tested
- RoHS Compliant Component

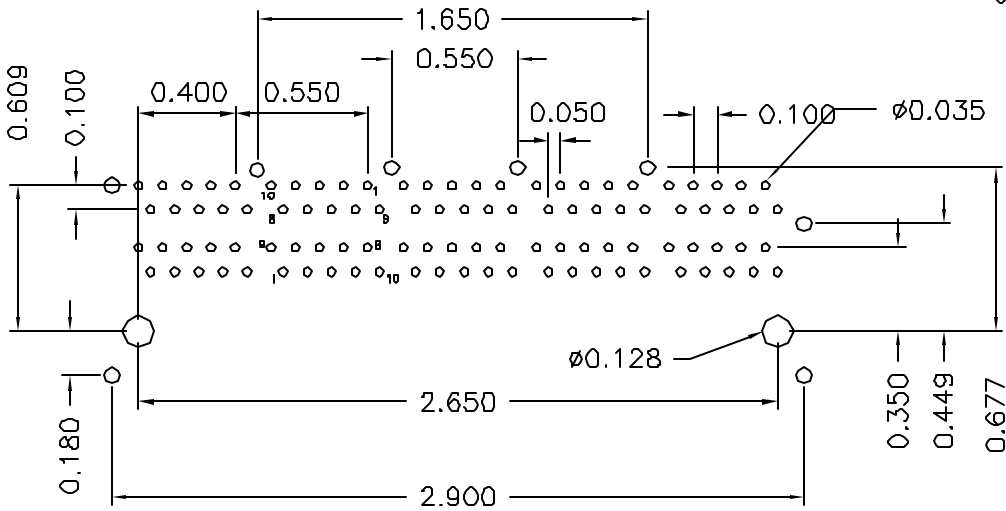
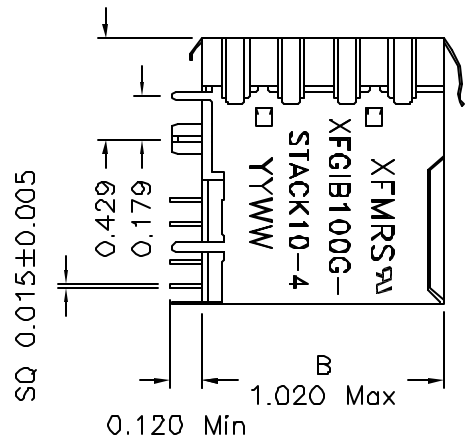
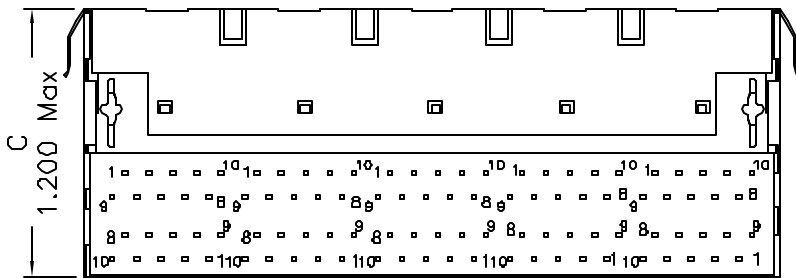
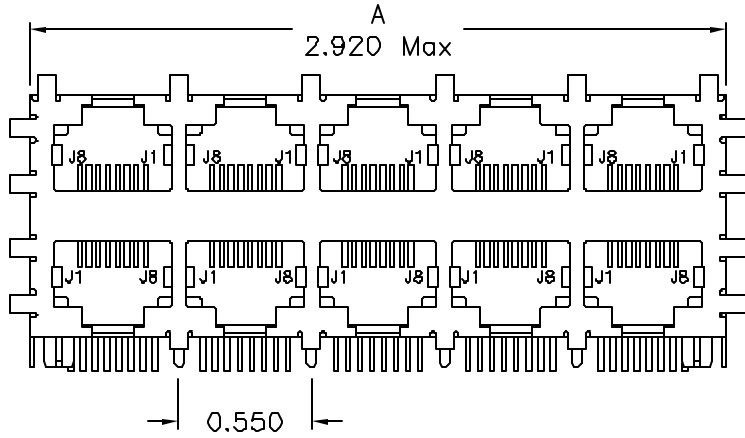
DOC REV: A/8

PROPRIETARY:

Document is the property of XFMRs Group & is not allowed to be duplicated without authorization.

XFMRs Inc. www.XFMRs.com	Title: 5X2 STACKED COMBO			
	UNLESS OTHERWISE SPECIFIED TOLERANCES: .xxx ±0.010 Dimensions in Inch	P/N: XFGIB100G-STACK10-4	REV. A	
SHEET 1 OF 2	DWN.	Juan Mao	Mar-30-06	
	CHK.	YK Liao	Mar-30-06	
	APP.	BW	Mar-30-06	

Mechanical Dimensions:



SUGGESTED MOUNTING PATTERN (COMPONENT SIDE)

DOC REV: A/B

XFMRs Inc. www.XFMRS.com	Title: Mechanical Dimensions For 2x5 STACKED COMBO Series		
	UNLESS OTHERWISE SPECIFIED TOLERANCES: .xxx ±0.010 Dimensions in Inch	P/N: XFGIB100G-STACK10-4	REV. A
	DWN.	Juan Mao	Mar-30-06
	CHK.	YK Liao	Mar-30-06
SHEET 2 OF 2	APP.	BW	Mar-30-06

PROPRIETARY:

Document is the property of XFMRs Group & is not allowed to be duplicated without authorization.