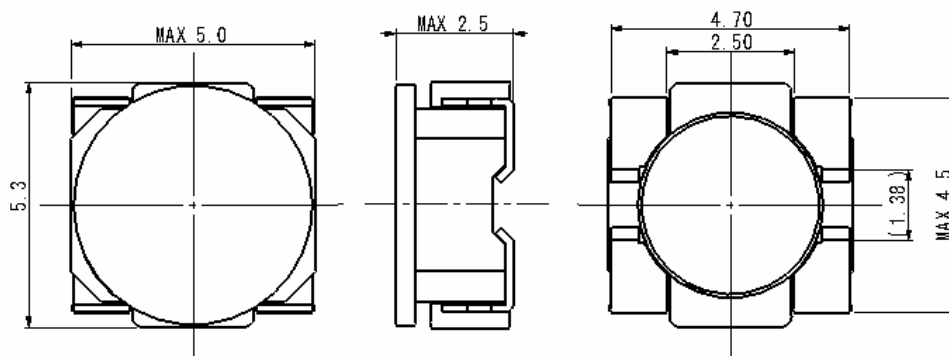
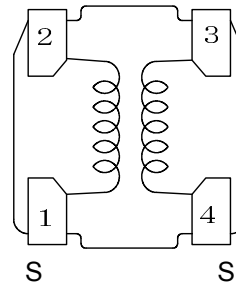
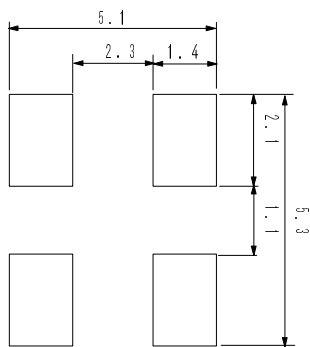


Type: CSLF4D25
◆ Product Description

- 5.3×5.0mm Max.(L×W), 2.5mm Max. Height.
- Custom design is available.


◆ Feature

- Ideally used in DVC ,Portable equipment, Audio equipment, Car navigation etc.
- RoHS Compliance.

◆ Dimensions (mm)

◆ Land Pattern (mm) and Schematics (Bottom)


“S” is winding start.

◆ Specification

| Part Name | Stamp | Turns | Impedance (Ω) (at 10MHz,0.5V) | D.C.R (mΩ) [Within] (1-2)and(3-4) | Rated voltage (V)(Max) | Rated current (A) ※ (Max) |
|----------------|-------|-------|----------------------------------|---|------------------------|------------------------------|
| CSLF4D25NP-34 | 01 | 2.5 | 34±10 | 13±40% | 50 | 3.5 |
| CSLF4D25NP-55 | 02 | 3.5 | 55±25 | 17±40% | 50 | 3.0 |
| CSLF4D25NP-100 | 03 | 4.5 | 100±55 | 22±40% | 50 | 2.5 |
| CSLF4D25NP-132 | 04 | 5.5 | 132±85 | 28±40% | 50 | 2.0 |
| CSLF4D25NP-210 | 05 | 6.5 | 210±110 | 40±40% | 50 | 1.5 |

※ Rated current is the current value at which coil's temperature rise is $\Delta t=45^{\circ}\text{C}$ (2 and 3 shorted, $T_a=20^{\circ}\text{C}$)

Type: CSLF4D25

Impedance vs Frequency (for reference)

