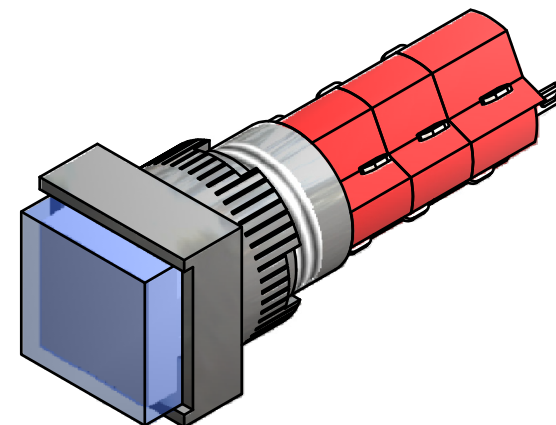
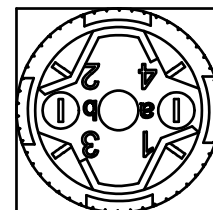
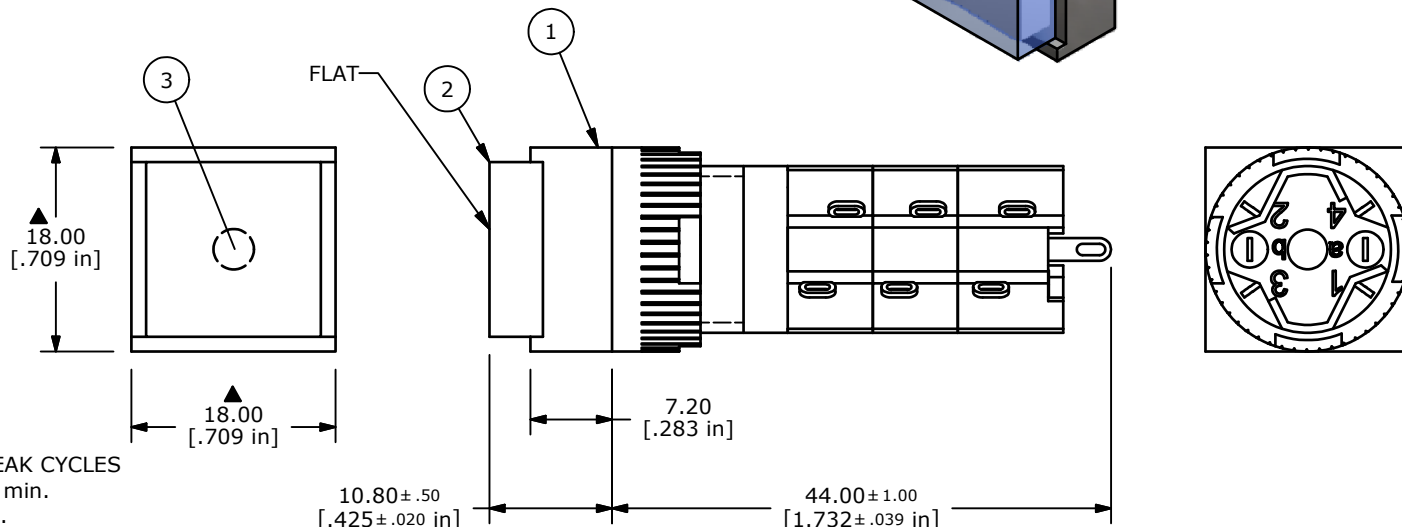


PARTS LIST			
ITEM	QTY	PART NUMBER	DESCRIPTION
1	1	F040021	D16EES13
2	1	F050311	50-003-11 LENS, SQUARE, FLAT, TRANSPARENT, BLUE
3	1	F050405	50-004-05, INC, 28V AC/DC 40mA



- NOTE:
1. ALL DIMENSIONS IN MM [INCH].
  2. GENERAL TOLERANCE: X.X=±0.4  
X.XX=±0.25
  3. TERMINAL NUMBERS FOR REF ONLY.
  4. RATING: 5A @ 250VAC UL, VDE  
8A @ 125VAC UL, VDE  
6A @ 24VDC  
0.2A @ 250VDC
  5. ELECTRICAL LIFE: 50,000 MAKE-AND-BREAK CYCLES  
AT FULL LOAD min.
  6. INSULATION RESISTANCE: 1,000 MΩ min.
  7. OPERATING TEMP.: -25°C to +55°C
  - ▲ 8. LAMP VOLTAGE: 28V AC / DC 40mA
  9. PANEL THICKNESS = 0.5 mm TO 5.0 mm
  10. CONTACT RESISTANCE: 20mΩ (INITIAL)
  11. PACKAGE: BOX / 20 PIECES PER BOX
  12. DEGREE OF PROTECTION: IP40
  13. TRAVEL: 3.00 mm FULL TRAVEL, 2.0 mm LATCH.
  14. ▲ DENOTES CRITICAL PARAMETER
  15. 2002/95/EC (ROHS) COMPLIANT.



A	20404	RELEASED FOR PRODUCTION	1/17/12	BGL
REV	PCR NO	DESCRIPTION	DATE	BY

TITLE D16EES13CBLU				
SCALE	DATE	DR	DWG	REV
1.5:1	1/17/2012	BGL	XF0851P	A

THE INFORMATION CONTAINED IN THIS DOCUMENT IS PROPRIETARY TO E-SWITCH AND IS NOT TO BE COPIED OR TRANSFERRED