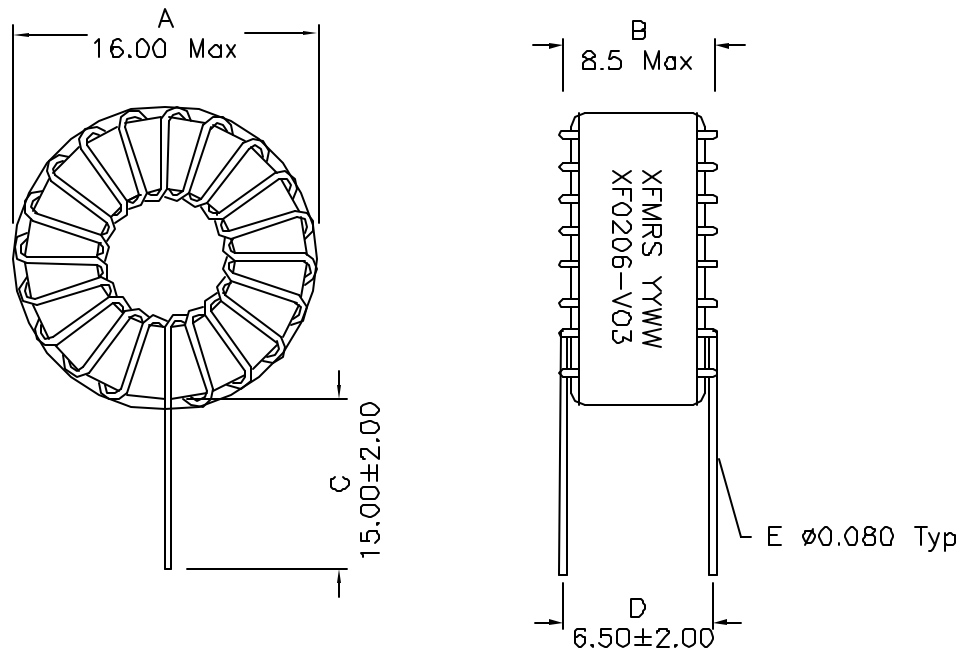


### 1. Mechanical Dimensions:

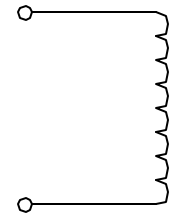


**Notes:**

1. Solderability: Leads shall meet MIL-STD-202G, Method 208H for solderability.
2. Flammability: UL94V-0
3. ASTM oxygen index: > 28%
4. Insulation System: Class F 155°C. UL file E151556
5. Operating Temperature Range: All listed parameters are to be within tolerance from -40°C to +85°C
6. Storage Temperature Range: -55°C to +125°C
7. Aqueous wash compatible
8. Electrical and mechanical specifications 100% tested
9. RoHS Compliant Component

DOC. REV: A/2

### 2. Schematic:



### 3. Electrical Specifications: @25°C

OCL: 20uH ± 20% @ 1KHz 0.25V  
 Irated: 3Adc Max  
 DCR: 0.020 Ohms Max

**PROPRIETARY** Document is the property of XFMR5 Group & is not allowed to be duplicated without authorization.

<b>XFMR5 Inc</b> www.XFMR5.com		Title: TOROIDAL INDUCTOR	
UNLESS OTHERWISE SPECIFIED		P/N: XF0206-V03	REV. A
TOLERANCES:		DWN.	康玉坤 Nov-15-05
.xx ± 0.25		CHK.	李清儿 Nov-15-05
Dimensions in MM		APP.	MS Nov-15-05
SHEET 1 OF 1			