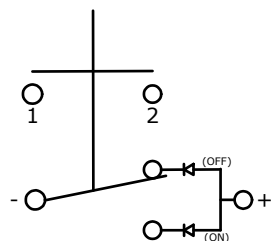
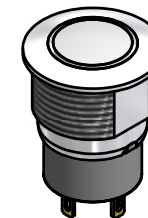
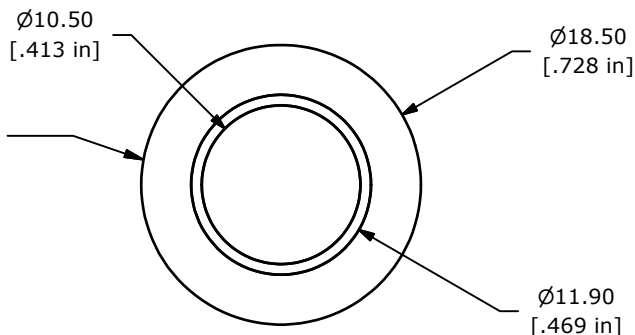


RECOMMEND  
PANEL CUT-OUT

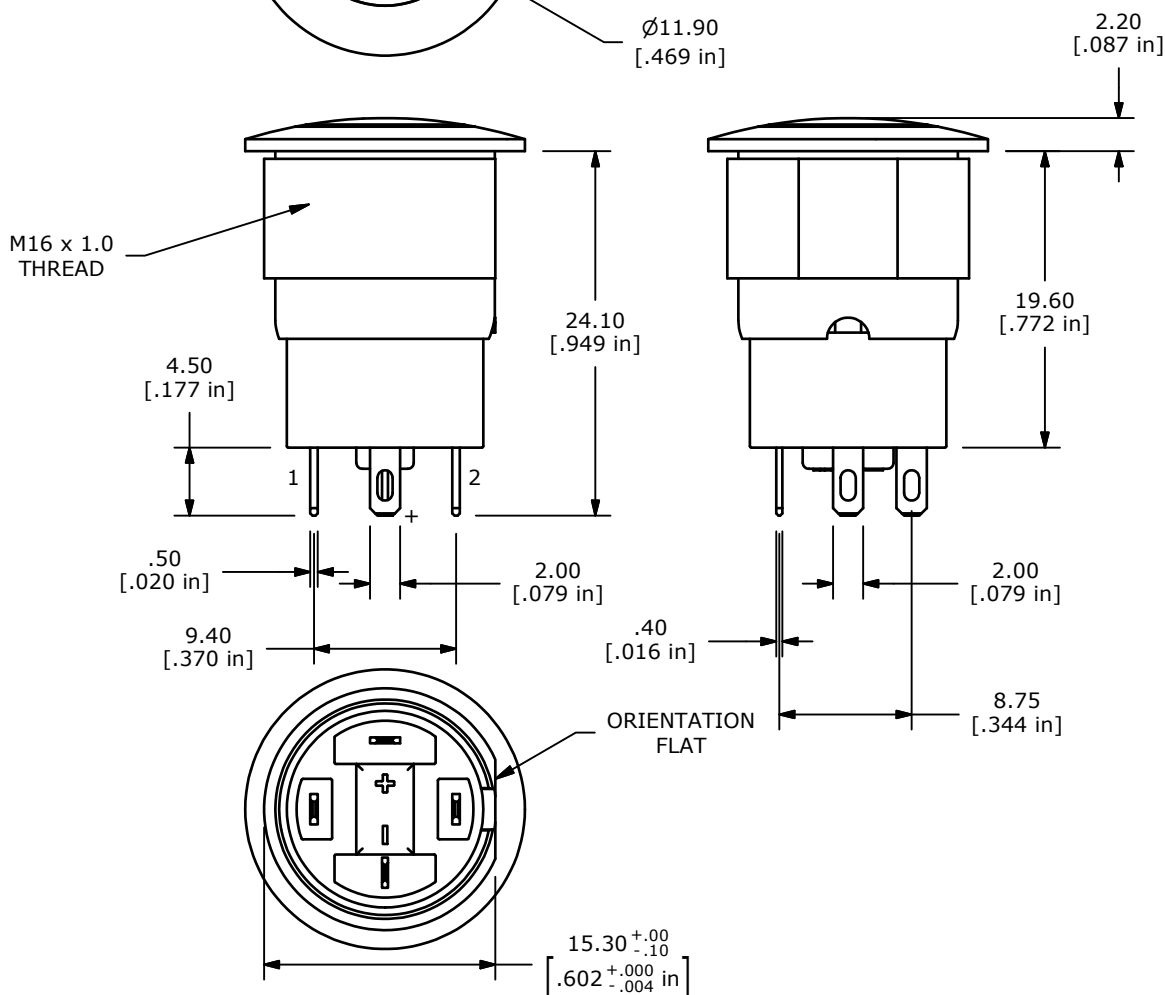
▲ BUTTON AND  
HOUSING FINISH:  
CLEAR ANODIZED



SCHEMATIC  
SPST  
(OFF - ON LATCHING)

NOTE:

1. ALL DIMENSIONS IN MM [INCH]
2. GENERAL TOLERANCE: X.X=±0.4  
X.XX=±0.25
3. TERMINAL NUMBERS FOR REF ONLY
4. CONTACT MATERIAL: COIN SILVER, GOLD FLASH PLATED
5. RATING: 2A 36VDC
6. ELECTRIC LIFE: 100,000 CYCLES
7. INSULATION RESISTANCE: 1,000MΩ MIN @ 500VDC.
8. DIELECTRIC STRENGTH: 2,000VAC MIN. FOR 1 MINUTE
9. CONTACT RESISTANCE: 50mΩ MAX. @ 1A 12VDC
10. OPERATING TEMP.: -20°C to 70°C
11. TRAVEL: 2.3 ±0.40 mm
12. OPERATING FORCE: 460 ±150 GRAMS
13. ▲ DENOTES CRITICAL PARAMETER.
- ▲14. ILLUMINATION COLOR: RED (OFF POSITION) - GREEN (ON POSITION)
15. HARDWARE SUPPLIED: O-RING AND HEXNUT (NOT SHOWN)
- ▲16. ILLUMINATION VOLTAGE RATING: 3V @ 20 mA
17. 2011/65/EU (ROHS) COMPLIANT



|                    |                |       |             |       |
|--------------------|----------------|-------|-------------|-------|
| TITLE PVA6LRE212G1 |                |       |             |       |
| SCALE 2:1          | DATE 3/29/2017 | DR rc | DWG T960103 | REV A |

|   |        |             |         |    |
|---|--------|-------------|---------|----|
| A   | 22869  | New Release | 5/30/17 | rc |
| REV   | PCR NO | DESCRIPTION | DATE    | BY |
| <small>THE INFORMATION CONTAINED IN THIS DOCUMENT IS PROPRIETARY TO E-SWITCH AND IS NOT TO BE COPIED OR TRANSFERRED</small> |        |             |         |    |