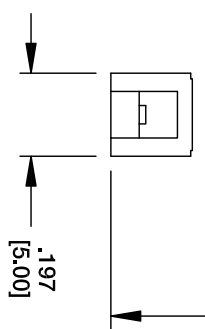
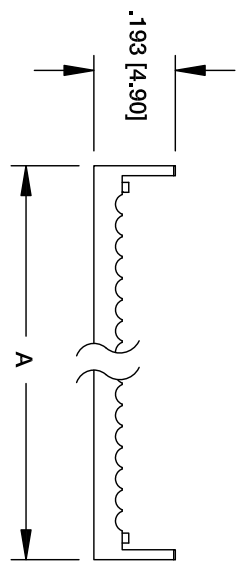
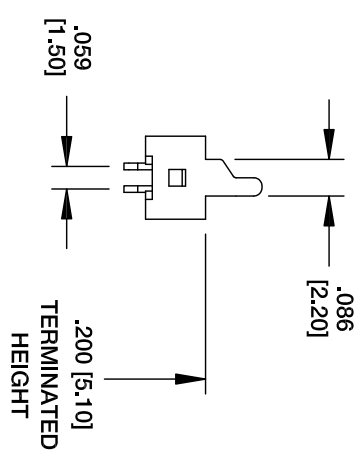
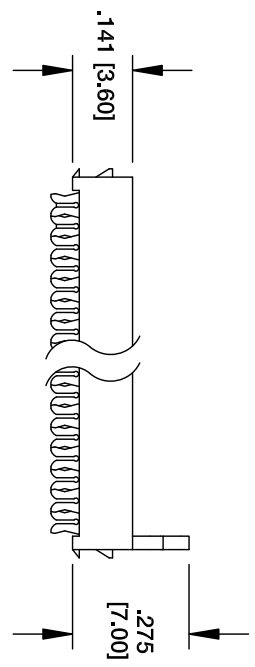
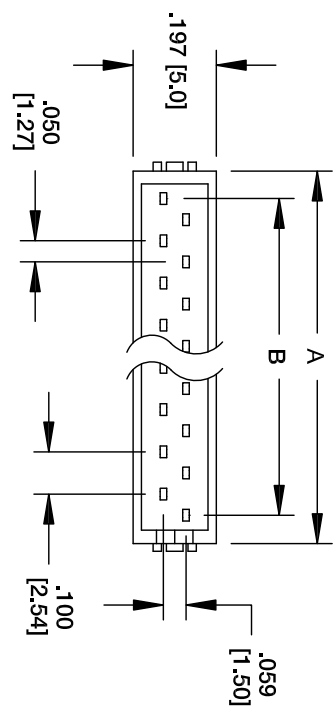


Rev	AWO #	Description	Date	Appr
-		RELEASED	11/06/09	

APPROVED: \_\_\_\_\_  
 DATE: \_\_\_\_\_ TITLE: \_\_\_\_\_



A = .050 [1.27] X # of positions + .120 [3.05]  
 B = .050 [1.27] X # of spaces

# ADAM TECH

909 Railway Avenue, Union, NJ 07083  
 Phone: 908-687-5000 Fax: 908-687-5710

TITLE: .100 [2.54] IDC CONNECTOR MALE,  
 ON WIRE TYPE, SELECTIVE GOLD PLATED

**SPECIFICATIONS:**  
 Material: Insulator: PBT, rated UL 94V-0  
 Insulator color: Red  
 Contacts: Phosphor Bronze  
 Plating: Gold over Nickel underplate on contact area, Tin over Copper underplate on IDC area  
 Electrical:  
 Voltage rating: 30V AC/DC  
 Current rating: 1A AC/DC  
 Contact resistance: 20 mohms max.  
 Insulation resistance: 1,000 Mohms min.  
 Dielectric withstanding: 500V AC for 1 minute  
 Temperature Rating: Operating temperature: -40°C to +105°C  
 Environmental: Lead free, RoHS compliant

UNLESS OTHERWISE SPECIFIED  
 ALL DIMENSIONS ARE INCHES [MM]  
 TOLERANCES: EXCEPT AS NOTED  
 INCHES: .10 ± .10 ØXX ± .015  
 .XX ± .020 ØXXX ± .010  
 .XXX ± .015  
 APPROVALS: DRAWN: DY DATE: 11/06/09  
 CHECKED: APPROVED:

SIZE	PART NO.	REV.
X	MPH-XX-F-SG	-
REF:	S00096T	SHEET 1 OF 1