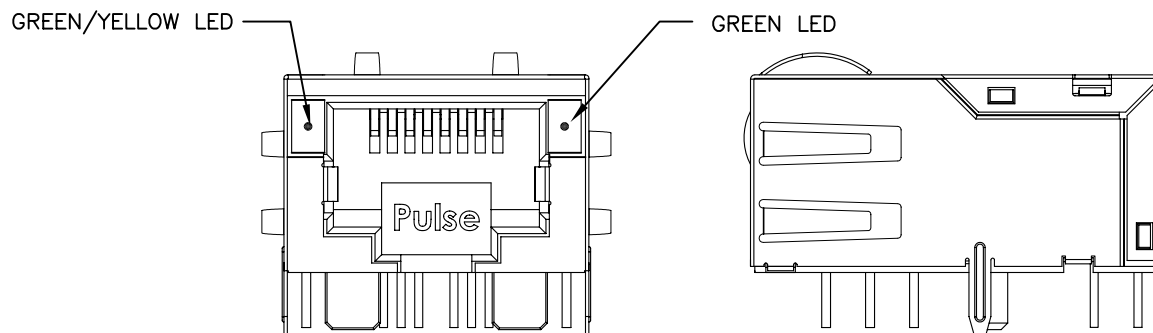
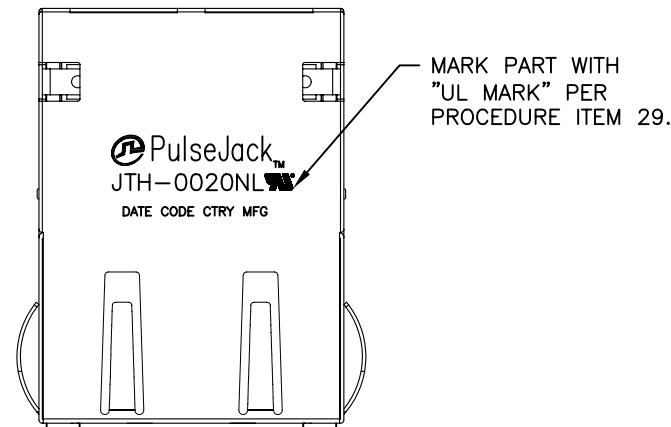


NOTES:

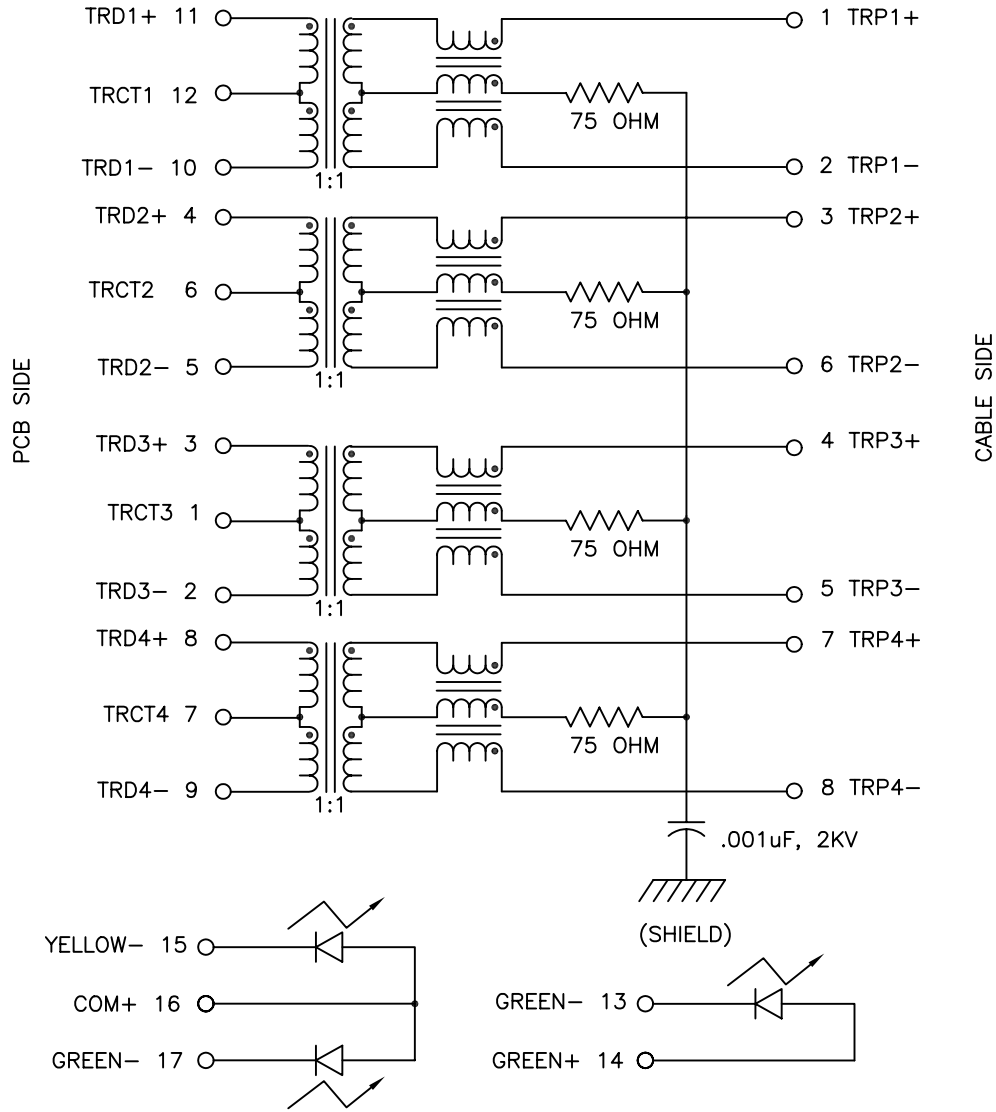
1. ROHS COMPLIANT
2. PLASTIC HOUSING: THERMOPLASTIC MATERIAL WITH FLAMMABILITY RATING UL 94V-0 OR BETTER.
3. CONTACTS PLATING: 50 MICROINCHES GOLD PLATING.
4. CONTACTS BASE MATERIAL: PHOSPHOR BRONZE
5. UNDER PLATING: 30-50u INCHES NICKEL
6. SOLDER TAIL PLATING : 200-500 uINCHES 100% TIN, MATTE FINISH.
7. METAL SHIELD: NICKEL PLATING ON COPPER ALLOY.
8. JACK CAVITY CONFORMS TO FCC PART 68 SUBPART.
9. PCB PLATING: EG
10. STORAGE TEMPERATURE: -20°C TO +125°C
11. COMPLIANCE TO J-STD:
  - A. J-STD-002: SOLDERABILITY AT 245°C DIP AND LOOK TEST
  - B. J-STD-020: LEVEL 1, NO MOISTURE SENSITIVE
  - C. J-STD-075: W2, 270°C MAXIMUM THROUGH WAVE SOLDER



FINAL OUTLINE

© Copyright, 2014. Pulse Electronics Corp. All rights reserved. Pulse confidential & proprietary. (05/22/14)

PRODUCT DESCRIPTION	TLA DRAWING	PS DRAWING	SHEET	PART NO.	DATASHEET REV.
CONN,RJ45,1X1,10G,1:1,TD	JTH-0020NL-14	PS-2484.007-D	1 OF 4	JTH-0020NL	A



SCHMATIC

ELECTRICAL CHARACTERISTICS AT +25°C UNLESS OTHER SPECIFIED  
MEETS IEEE 802.3 SPECIFICATION

PARAMETER	SPECIFICATIONS				
	INSERTION LOSS	100 KHz	1-400 MHz		
-3.0 dB MAX		-2.0 dB MAX (-1.4 dB TYP)			
RETURN LOSS (Z OUT = 100 OHM ± 1%)	1-100 MHz	200 MHz	300 MHz	400 MHz	500 MHz
	-22 dB MIN	-16.5 dB MIN	-13.3 dB MIN	-11 dB MIN	-9.2 dB MIN
	INDUCTANCE (OCL)				
	120 uH MIN @ 100 kHz, 100 mV				
	CROSSTALK, ADJACENT CHANNELS				
1-100 MHz		100-500 MHz			
-28 dB MIN		-20 dB MIN			
COMMON MODE REJECTION RATIO	1-100 MHz	100-300 MHz	300-500 MHz		
	-35 dB MIN	-30 dB MIN	-25 dB MIN		
	COMMON TO DIFFERENTIAL MODE REJECTION (CDMR)				
1-250 MHz		250-500 MHz			
-30 dB MIN		-22 dB MIN			
INPUT - OUTPUT ISOLATION	2250 VDC MIN @ 60 SECONDS				

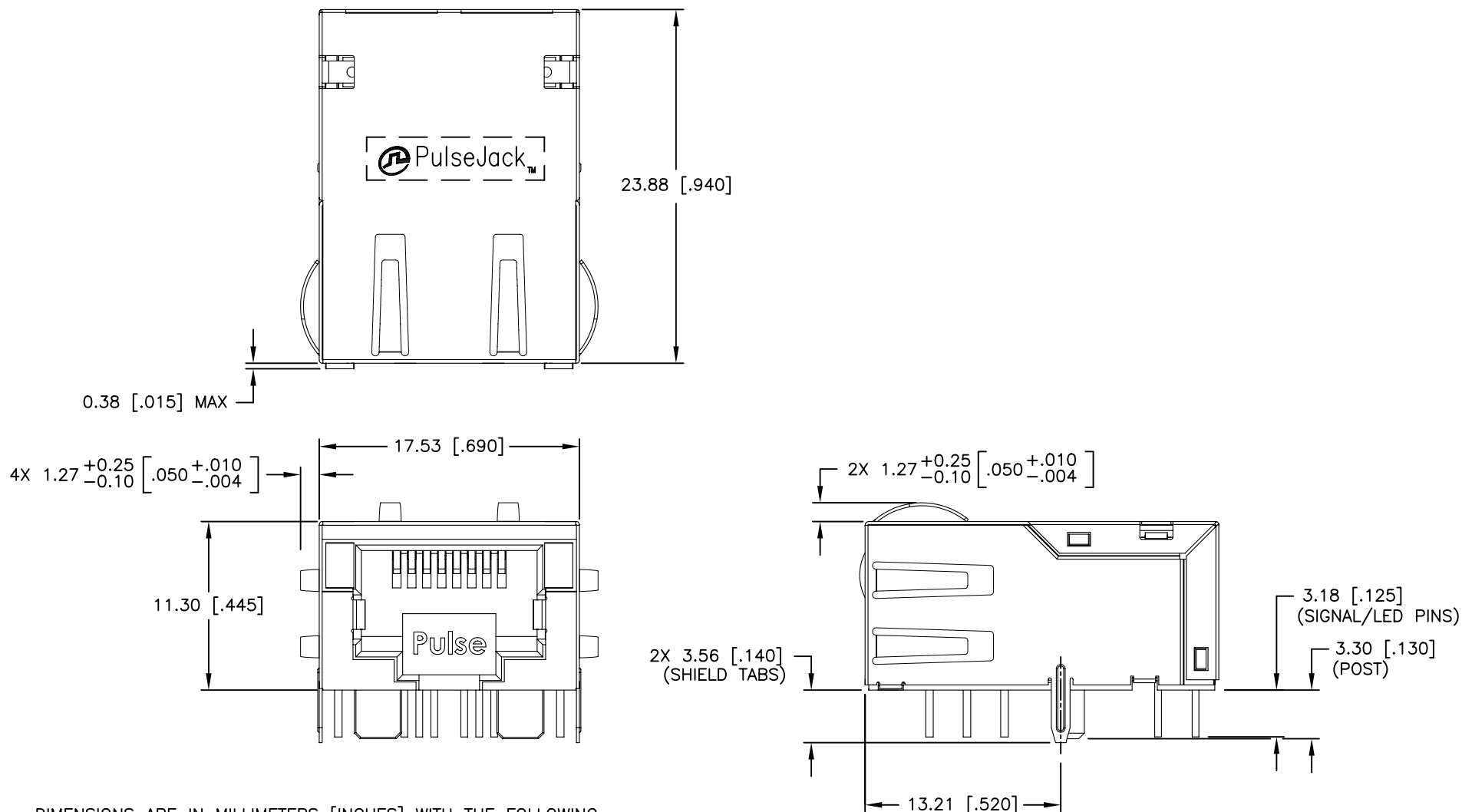
NOTE: f IS FREQUENCY IN MHZ.

EMITTED COLOR	GREEN	YELLOW	GREEN
WAVE LENGTH (nm)	570	588	570
POWER DISSIPATION (Pd)	85 mW MAX	100 mW MAX	85 mW MAX
DC FORWARD CURRENT	25 mA MAX	30 mA MAX	25 mA MAX
FORWARD VOLTAGE (VF) @ 20mA	2.2 V TYP	2.1 V TYP	2.2 V TYP

NOTE: PER VENDOR'S SPECIFICATION BICOLOR

© Copyright, 2014. Pulse Electronics Corp. All rights reserved. Pulse confidential & proprietary. (05/22/14)

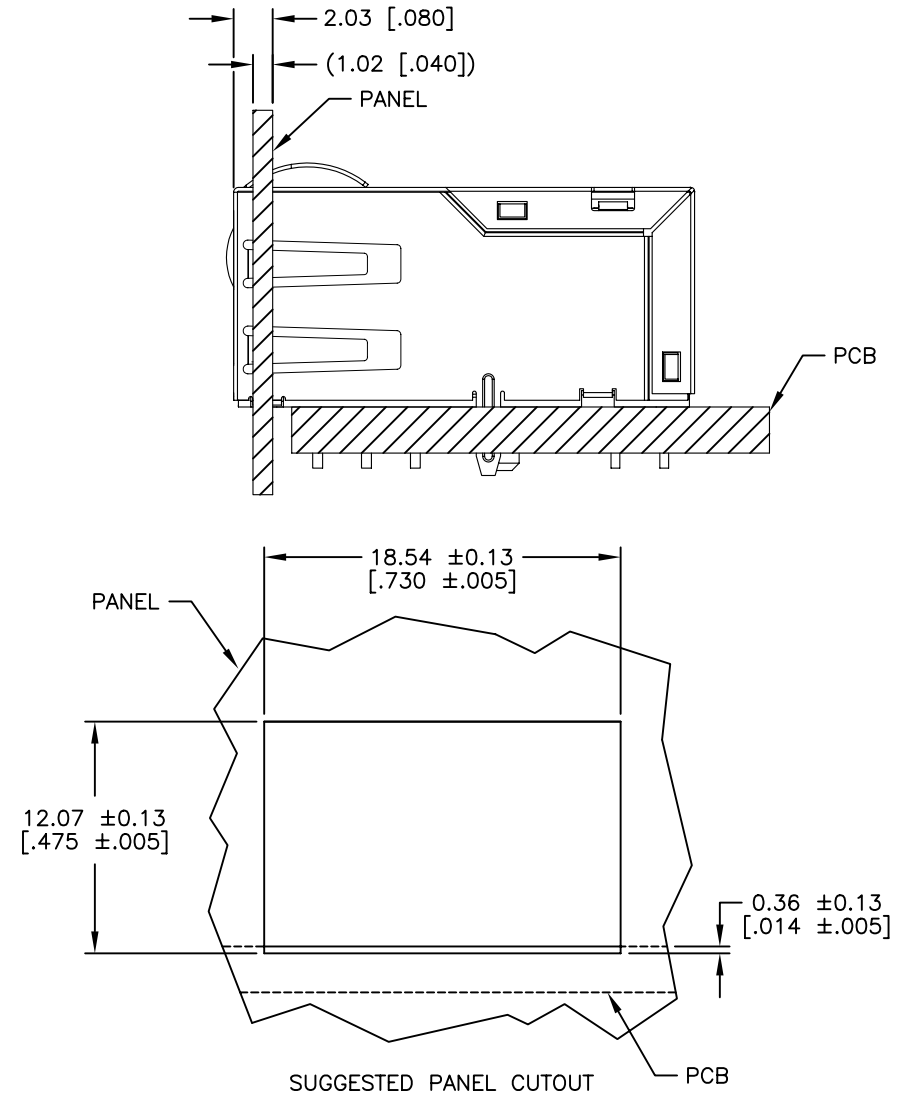
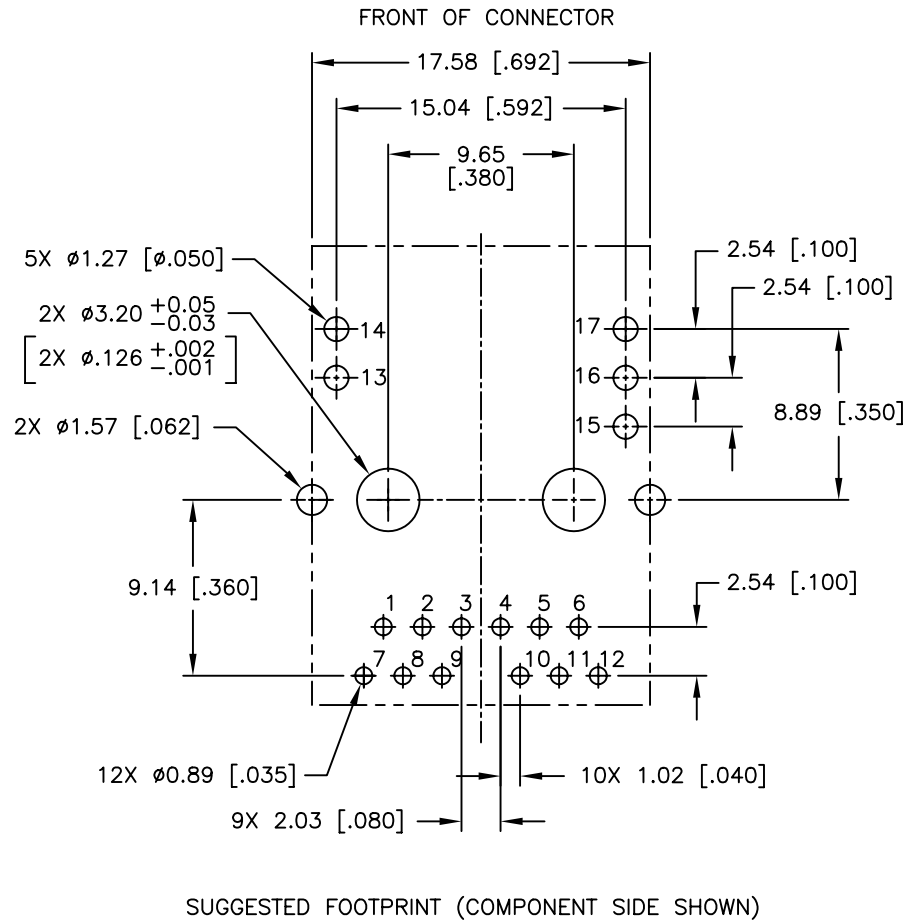
PRODUCT DESCRIPTION	TLA DRAWING	PS DRAWING	SHEET	PART NO.	DATASHEET REV.
CONN,RJ45,1X1,10G,1:1,TD	JTH-0020NL-14	PS-2484.007-D	2 OF 4	JTH-0020NL	A



DIMENSIONS ARE IN MILLIMETERS [INCHES] WITH THE FOLLOWING TOLERANCES: [INCHES] ARE FOR REFERENCE ONLY.  
X.XX [.XXX] =  $\pm 0.25$  [ $\pm 0.010$ ]

© Copyright, 2014. Pulse Electronics Corp. All rights reserved. Pulse confidential & proprietary. (05/22/14)

PRODUCT DESCRIPTION	TLA DRAWING	PS DRAWING	SHEET	PART NO.	DATASHEET REV.
CONN,RJ45,1X1,10G,1:1,TD	JTH-0020NL-14	PS-2484.007-D	3 OF 4	JTH-0020NL	A



DIMENSIONS ARE IN INCHES [MILLIMETERS] WITH THE FOLLOWING TOLERANCES: [MILLIMETERS] ARE FOR REFERENCE ONLY.  
 .XX [.XXX] =  $\pm 0.05$  [.002]

© Copyright, 2014. Pulse Electronics Corp. All rights reserved. Pulse confidential & proprietary. (05/22/14)

PRODUCT DESCRIPTION	TLA DRAWING	PS DRAWING	SHEET	PART NO.	DATASHEET REV.
CONN,RJ45,1X1,10G,1:1,TD	JTH-0020NL-14	PS-2484.007-D	4 OF 4	JTH-0020NL	A