

# DX85V

pcb power relay



- miniature pcb power relay
- Up to 20A @ 28VDC or 230VAC
- industry standard style
- Cost effective
- RoHS Compliant

## Contacts

Contact number & arrangement	SPST-NO (1 N/O)	
Contact material	AgNi 90/10, AgSnO <sub>2</sub>	
Max. switching voltage	AC/DC	440VAC / 125VDC
Max. switching power	5000VA	
Min. switching current / voltage	100mA/12VDC	
Rated load	AC1	20A, 250VAC
	DC1	20A, 30VDC
Initial resistance	100mΩ, max. at 0.1A/6VDC	

## Coil

Rated voltage	DC	5...110V
Must release voltage	DC	≥ 0.1Un
Operating range of supply voltage	See coil table 1	
Rated power consumption	DC	400mW

## Insulation

Insulation resistance	≤ 1000MΩ at 500VDC, 50%RH	
Dielectric strength	coil to contact	5000Vrms, 1min
	contact to contact	1000Vrms, 1min

## General Data

Operating time (typical)	mS	≤ 15ms
Release time (typical)	mS	≤ 8ms
Electrical Life	ops	≥ 1 x 10 <sup>5</sup>
Mechanical life	ops	≥ 1 x 10 <sup>7</sup>
Dimensions	L x W x H	41 x 12.7 x 15.7mm
Weight	16g	
Ambient temperature	storage	-40 to 125°C
	operating	-40 to 125°C
Shock resistance	Functional: 100m/s <sup>2</sup> ; Destructive: 1000m/s <sup>2</sup>	
Vibration resistance	DA 1.5mm 10-55Hz	

# DX85V

## pcb power relay

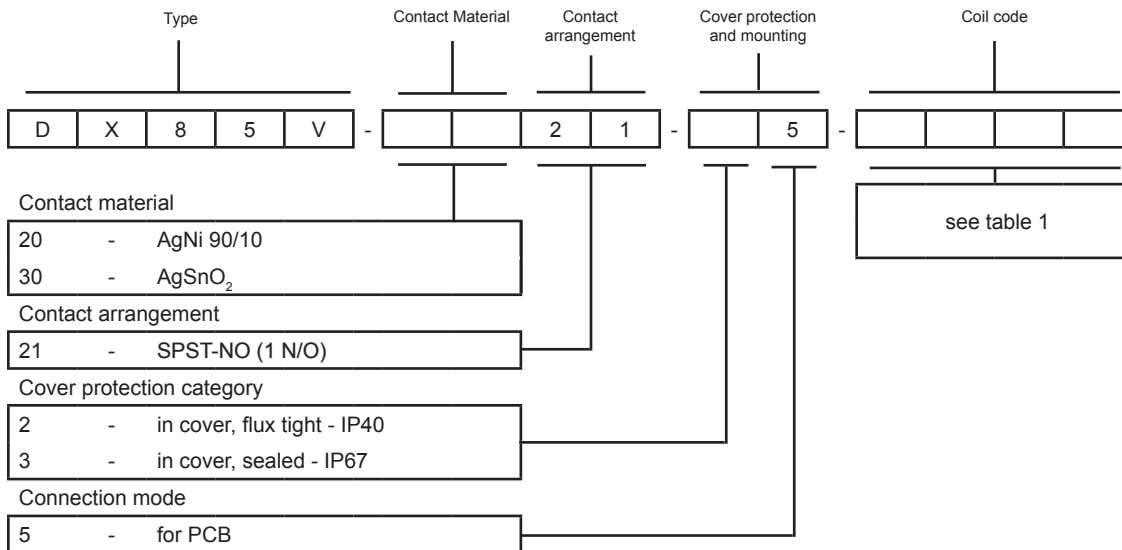


Coil Data (DC voltage 400mW)

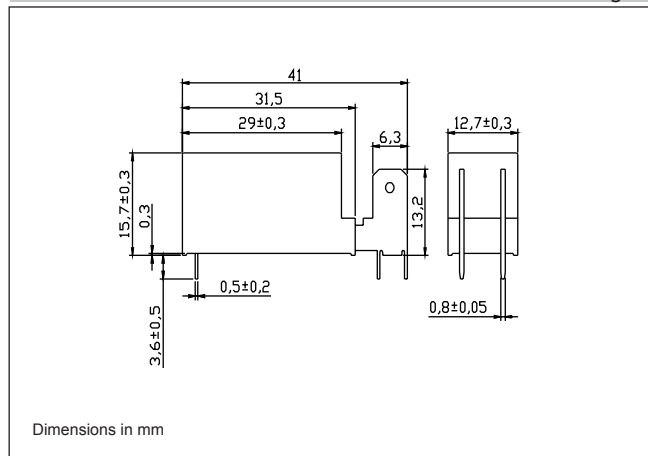
Table 1

Coil Voltage Code	Nominal Voltage (VDC)	Coil Resistance ( $\Omega$ ) $\pm 10\%$	Must operate voltage max. (VDC)	Must release voltage min. (VDC)
1005	5	62	3.5	0.5
1006	6	90	4.2	0.6
1009	9	202	6.3	0.9
1012	12	360	8.4	1.2
1018	18	810	12.6	1.8
1024	24	1440	16.8	2.4
1048	48	5760 $\pm 15\%$	33.6	4.8
1060	60	7500 $\pm 15\%$	42.0	6.0
1110	110	25200 $\pm 15\%$	77.0	11.0

### Ordering codes



Overall Dimensions Fig. 1



PCB Mounting Dimensions Fig. 2

