

SMD type
2.0 x 1.2 x 0.6 mm CL = 12.5 pF



RoHS Compliance

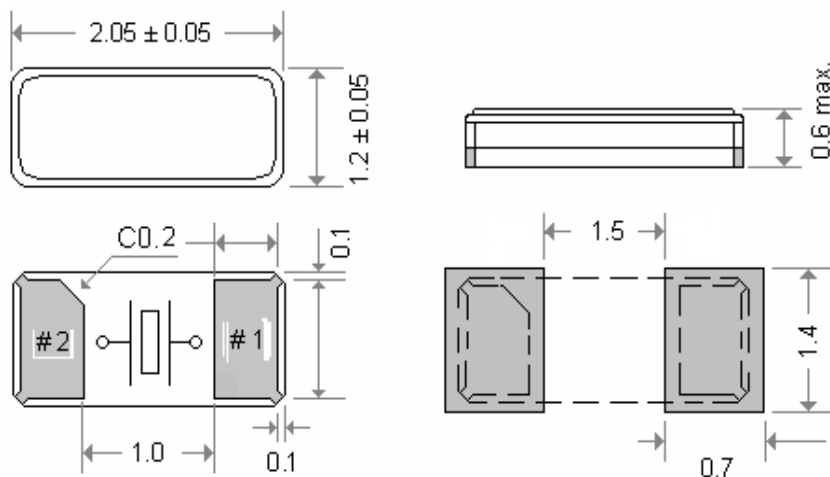
Applications

- The entire package can be grounded via the top metal lid and the two bottom pads .
- Frequency tolerance as tight as +/-5ppm , +/-10ppm is available.

General Specifications

	Parameters	SYM.	Electrical Spec.				Notes
			Min.	Typical	Max.	Unit	
1	Mercury Part No.		-				X2012 - 32.768K - 12.5
2	Nominal Frequency	FL	32.768000			kHz	
3	Holder Type		-				2.0 * 1.2 * 0.6 mm , 2pads
4	Crystal Cut		-				AT-Cut
5	Mode of Oscillation		-				Fundamental Mode
6	Frequency Tolerance	$\Delta f / f$	-20	~	20	ppm	at 25°C ± 3°C
7	Spurious Attenuation	SpdB			-3	dB	
8	Equivalent Series Resistance	Rr			90	KΩ	
9	Shunt Capacitance	Co		1.2		pF	
10	Motional Capacitance	C1		6.4		fF	
11	Load Capacitance	CL		12.5		pF	
12	Recommended Drive Level	DL			0.5	uW	
13	Temperature Coefficient	a			-0.04x10 ⁻⁶	°C ²	
14	Insulation Resistance	IR		500		MΩ	DC 100V ± 15V
15	Capacitance Ratio	Y			10	ppm	
16	Operating Temperature	TSTG	-40	~	85	°C	
17	Storage Temperature	TOPR	-40	~	85	°C	
18	Aging	fa	-3		3	ppm	First year
19	Shock Resistance	S.R.	-8		8	ppm	100g dummy drop from 1500mm

General Specifications (Unit : mm)



Mercury www.mercury-crystal.com