

## Battery monitor IC with alarm output for gas gauge applications

### Features

- 0.5% accuracy battery voltage monitoring
- Low battery alarm output with programmable thresholds
- Low power: 60  $\mu$ A in power-saving mode, 2  $\mu$ A max in standby mode
- Ideal for implementation of robust gas gauge systems using open-circuit voltage and coulomb counter methods
- Small 3x2 mm package

### Applications

- Mobile phones, multimedia players, digital cameras
- Portable medical equipment

### Description

The STC3105 battery monitor includes the hardware functions required to implement a low-cost gas gauge for battery monitoring. The STC3105 uses accurate measurements of the battery voltage to estimate a battery's state-of-charge (SOC). It uses a low cost sense resistor to precisely sense the charge or discharge states, detect light-load conditions without ambiguity for voltage measurements, and accurate SOC calculation. The coulomb counter method is used for SOC tracking in high-load conditions.

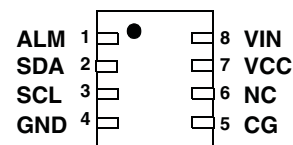
An alarm output signals a low SOC condition, and can also indicate low battery voltage. The alarm threshold levels are programmable.

The device is programmable through an I<sup>2</sup>C interface.



**TDFN8 3x2**  
(Plastic micropackage)

Pin connections  
(top view)

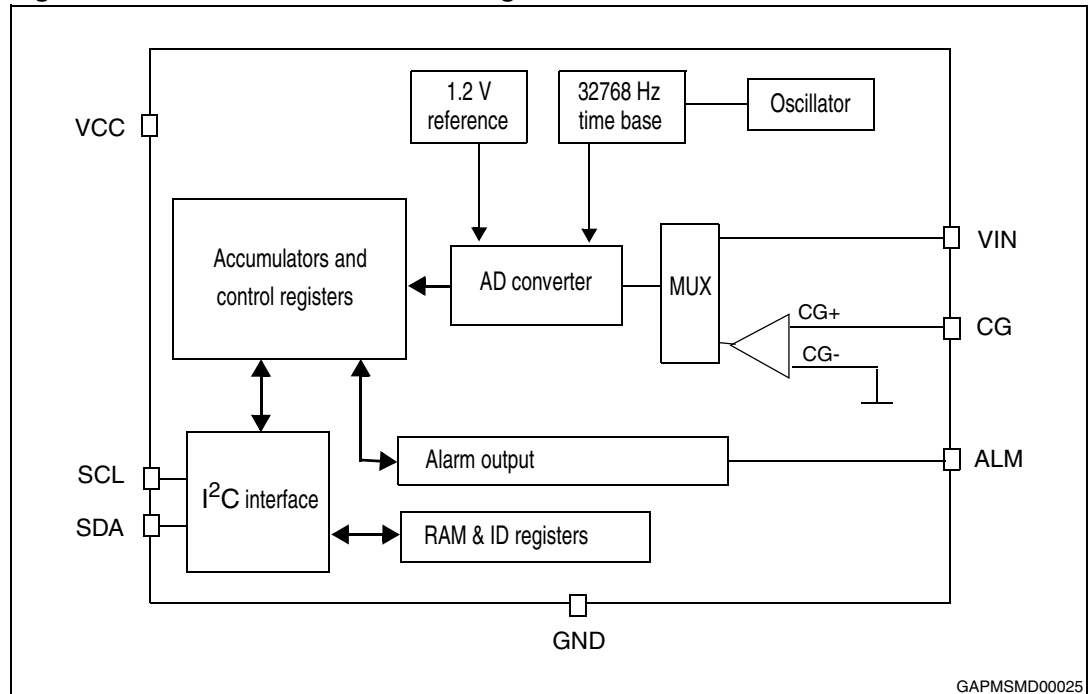


# Contents

- 1      Block diagram ..... 3**
- 2      Pin assignment ..... 4**
- 3      Absolute maximum ratings and operating conditions ..... 5**
- 4      Electrical characteristics ..... 6**
- 5      Application information ..... 9**
- 6      Functional description ..... 10**
  - 6.1 Battery monitoring functions and operating modes ..... 10
  - 6.2 Battery voltage monitoring ..... 10
  - 6.3 Current sensing ..... 10
  - 6.4 Coulomb counter ..... 11
  - 6.5 Alarm output ..... 11
  - 6.6 Battery voltage relaxation timer ..... 12
  - 6.7 Timing diagram in run mode ..... 13
- 7      I<sup>2</sup>C interface ..... 14**
  - 7.1 Read and write operations ..... 14
  - 7.2 Register map ..... 16
- 8      Package information ..... 18**
  - 8.1 TDFN8 package information ..... 19
- 9      Ordering information ..... 21**
- 10     Revision history ..... 22**

# 1 Block diagram

Figure 1. STC3105 internal block diagram



## 2 Pin assignment

Table 1. STC3105 pin description

Pin	Pin name	Type	Function
1	ALM	I/OD	Alarm signal output, open drain, external pull-up resistor is required
2	SDA	I/OD	I <sup>2</sup> C serial data
3	SCL	I_D	I <sup>2</sup> C serial clock
4	GND	Ground	Analog and digital ground
5	CG	I_A	Current sensing input
6	NC		Reserved test pin. Do not connect.
7	VCC	Supply	Power supply
8	VIN	I_A	Battery voltage sensing input

Note:

- I*: input
- O*: output
- OD*: open drain
- A*: analog
- D*: digital

### 3 Absolute maximum ratings and operating conditions

**Table 2. Absolute maximum ratings**

Symbol	Parameter	Value	Unit
$V_{CCMAX}$	Maximum voltage on VCC pin	7	V
$V_{IO}$	Voltage on I/O pins	-0.3 to 7	V
$T_{STG}$	Storage temperature	-55 to 150	°C
$T_J$	Maximum junction temperature	150	°C
ESD	Electrostatic discharge (HBM: human body model)	2	kV

**Table 3. Operating conditions**

Symbol	Parameter	Value	Unit
$V_{CC}$	Operating supply voltage on $V_{CC}$	2.7 to 5.5	V
$V_{MIN}$	Minimum voltage on $V_{CC}$ for RAM content retention	2.0	V
$T_{OPER}$	Operating free air temperature range	-40 to 85	°C

## 4 Electrical characteristics

**Table 4. Electrical characteristics (2.7 V < V<sub>CC</sub> < 4.5 V, -20 °C to 70 °C)**

Symbol	Parameter	Conditions	Min	Typ	Max	Units
<b>Supply</b>						
I <sub>CC</sub>	Operating current consumption	Average value over 4 s in: – power-saving mode – Active mode		60 -	70 100	μA μA
I <sub>STBY</sub>	Current consumption in standby	Standby mode, inputs=0V			2	μA
I <sub>PDN</sub>	Current consumption in power-down	V <sub>CC</sub> < UVLO <sub>TH</sub> , inputs=0V			1	μA
UVLO <sub>TH</sub>	Undervoltage threshold	(V <sub>CC</sub> decreasing)	2.5	2.6	2.7	V
UVLO <sub>HYST</sub>	Undervoltage threshold hysteresis			100		mV
POR	Power-on reset threshold	(V <sub>CC</sub> decreasing)		2.0		V
<b>Current sensing</b>						
V <sub>in_gg</sub>	Input voltage range		-80		+80	mV
I <sub>IN</sub>	Input current for CG pin				500	nA
ADC <sub>res</sub>	AD converter granularity			11.77		μV
ADC <sub>offset</sub>	AD converter offset	CG = 0 V	-3		3	LSB
ADC <sub>time</sub>	AD conversion time			500		ms
ADC <sub>acc</sub>	AD converter gain accuracy at full scale (using external sense resistor)	25 °C Over temperature range		0.5 -	- 1	% %
F <sub>OSC</sub>	Internal time base frequency			32768		Hz
Osc <sub>acc</sub>	Internal time base accuracy	25 °C, V <sub>CC</sub> = 3.6 V over temperature and voltage ranges		2		% %
Cur <sub>res</sub>	Current register LSB value			11.77		μV
Chg <sub>res</sub>	Charge register LSB value	=Cur <sub>res</sub> *2 <sup>12</sup> *0.5/3600		6.70		μVh

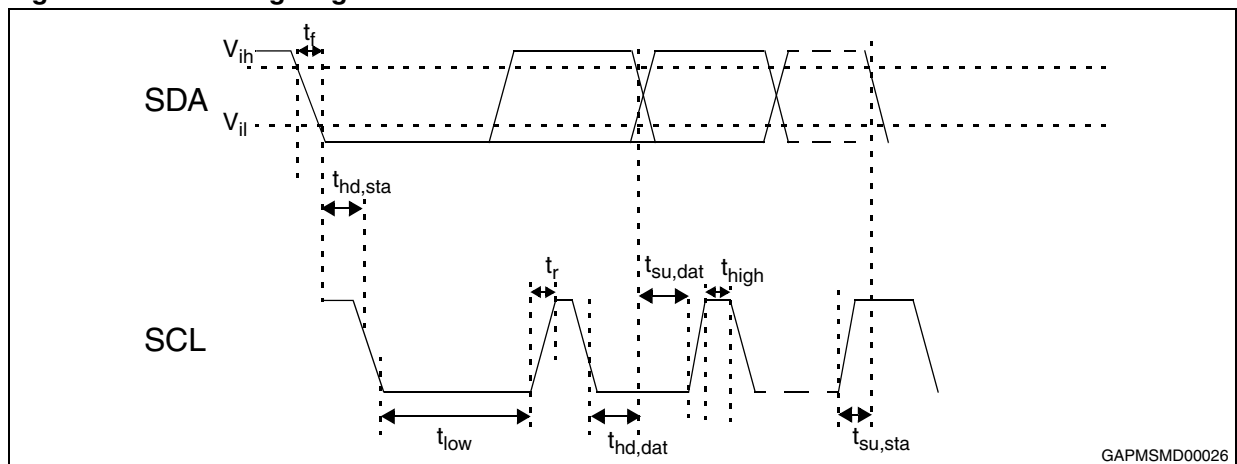
Table 4. Electrical characteristics ( $2.7\text{ V} < V_{CC} < 4.5\text{ V}$ ,  $-20\text{ }^{\circ}\text{C}$  to  $70\text{ }^{\circ}\text{C}$ ) (continued)

Symbol	Parameter	Conditions	Min	Typ	Max	Units
<b>Battery voltage measurement</b>						
Vin_adc	Input voltage range		0		5	V
LSB	LSB value			2.44		mV
ADC_time	AD conversion time			250		ms
Volt_acc	Battery voltage measurement accuracy	$2.7\text{ V} < V_{in} < 4.5\text{ V}$ , $V_{CC} = V_{in}$	-0.5		+0.5	%
<b>Digital I/O pins (SCL, SDA, ALM)</b>						
Vih	Input logic high		1.2			V
Vil	Input logic low				0.35	V
Vol	Output logic low (SDA, ALM)	I <sub>ol</sub> = 4 mA			0.4	V

**Table 5. I<sup>2</sup>C timing - V<sub>IO</sub>= 2.8 V, T<sub>amb</sub> = -20 °C to 70 °C (unless otherwise specified)**

Symbol	Parameter	Conditions	Min	Typ	Max	Unit
F <sub>scl</sub>	SCL clock frequency		0		400	kHz
t <sub>hd,sta</sub>	Hold time (repeated) START condition		0.6			µs
t <sub>low</sub>	LOW period of the SCL clock		1.3			µs
t <sub>high</sub>	HIGH period of the SCL clock		0.6			µs
t <sub>su,dat</sub>	Setup time for repeated START condition		0.6			µs
t <sub>hd,dat</sub>	Data hold time		0		0.9	µs
t <sub>su,dat</sub>	Data setup time		100			ns
t <sub>r</sub>	Rise time of both SDA and SCL signals		20+ 0.1C <sub>b</sub>		300	ns
t <sub>f</sub>	Fall time of both SDA and SCL signals		20+ 0.1C <sub>b</sub>		300	ns
t <sub>su,sto</sub>	Setup time for STOP condition		0.6			µs
t <sub>buf</sub>	Bus free time between a STOP and START condition		1.3			µs
C <sub>b</sub>	Capacitive load for each bus line				400	pF

**Figure 2. I<sup>2</sup>C timing diagram**



GAPMSMD00026



## 5 Application information

Figure 3. Example of an application schematic using the STC3105

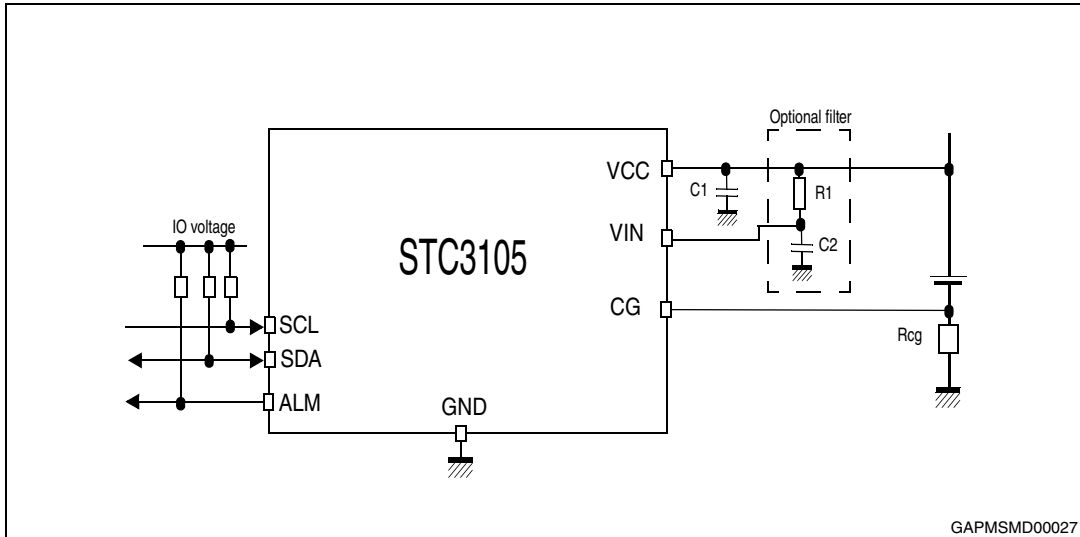


Table 6. External component list

Name	Value	Tolerance	Comments
Rcg	10 to 50 mΩ	2% to 5%	Current sense resistor
C1	1 μF		Supply decoupling capacitor
C2	220 nF		Battery voltage input filter (optional)
R1	1 kΩ		Battery voltage input filter (optional)

## 6 Functional description

### 6.1 Battery monitoring functions and operating modes

The monitoring functions include the measurement of the battery voltage and battery current. A coulomb counter is used to track the state-of-charge when the battery is charging or is discharging at a high rate. A 14-bit sigma-delta A/D converter is used to measure both the voltage and current.

The STC3105 can operate in two modes with different power consumption. The selection is made by the PWR\_SAVE bit in the register 0 (Refer to [Table 11 on page 17](#) for register 0 definition).

In power-saving mode, the current is measured only half of the time. This saves about half of the power consumption.

In active mode, the current is continuously measured (except for one conversion cycle used every 4 seconds for the voltage measurement). This provides the highest accuracy from the coulomb counter.

When the battery voltage falls below the undervoltage lockout threshold of 2.7 V, the monitoring functions are stopped and the STC3105 stays in power-down mode with minimum quiescent current. All registers are maintained down to 2.0 V. Below 2.0 V, the registers are reset to their default power-on values.

By writing 0 to the GG\_RUN bit in register 0, the STC3105 measurement is automatically stopped and the register values are frozen and unchanged. After the GG\_RUN bit is again set to 1, the STC3105 continues to measure from the point it was stopped.

### 6.2 Battery voltage monitoring

The battery voltage is measured by using one conversion cycle of the A/D converter every 4 seconds.

The conversion cycle takes  $2^{13} = 8192$  clock cycles. Using the 32768 Hz internal clock, the conversion cycle time is 250 ms.

The voltage range is 0 to 5 V, and the resolution is 2.44 mV. The accuracy of the voltage measurement is  $\pm 0.5\%$  over the temperature range. This allows accurate state-of-charge information from the battery open-circuit voltage.

### 6.3 Current sensing

The voltage drop across the sense resistor is integrated during a conversion period and input to the 14-bit sigma-delta A/D converter.

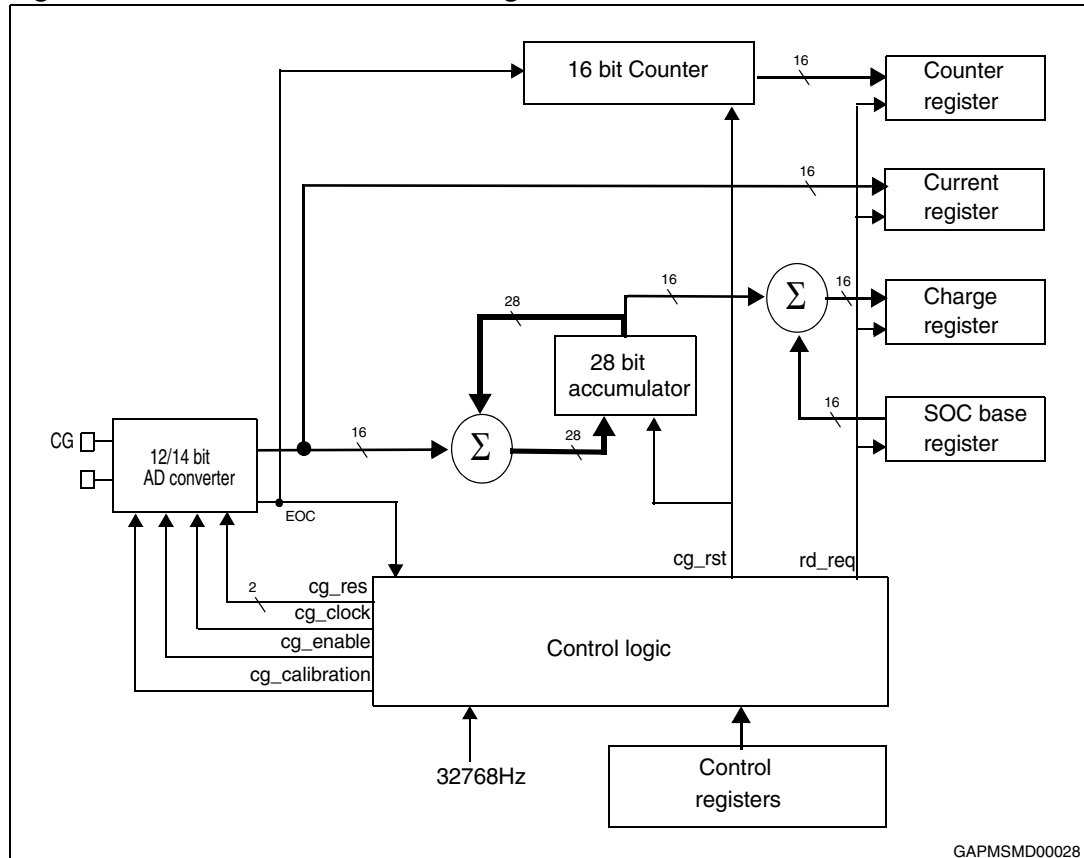
Using the 32768 Hz internal clock, the conversion cycle time is 500 ms for a 14-bit resolution. The LSB value is 11.77  $\mu\text{V}$ . The A/D converter output is in two's complement format.

When a conversion cycle is completed, the result is added to the coulomb counter accumulator and the number of conversions is incremented in a 16-bit counter.

### 6.4 Coulomb counter

The coulomb counter is used to track the state-of-charge of the battery when the battery is charging or discharging at a high rate. Each result of current conversion is accumulated into a 28-bit accumulator. The upper 16 bits of the accumulator are added to the SOC base register to provide the current state-of-charge (SOC) in the charge register. The system controller can control the coulomb counter, set the SOC base register value and read the charge register through the I<sup>2</sup>C control registers.

Figure 4. Coulomb counter block diagram



When using an external 30 mΩ sense resistor, the 28-bit accumulator results in a coulomb counter capacity of approximately +/- 7300 mA.h. The upper 16 bits used for the charge register give a resolution of 0.2 mA.h.

### 6.5 Alarm output

The ALM pin provides an alarm signal in case of low battery condition. The output is an open drain, and an external pull-up resistor may be needed in the application. Writing the IO0DATA bit to 0 forces the ALM output low; writing the IO0DATA bit to 1 lets the ALM output reflect the battery condition. Reading the IO0DATA bit gives the state of the ALM pin.

When the IO0DATA bit is 1 and the alarm function is enabled by the ALM\_ENA bit, the ALM pin is driven low if either of these two conditions is met:

- battery state-of-charge (SOC) less than the programmed threshold
- battery voltage less than the programmed low voltage level

When a low-voltage or low-SOC condition is triggered, the STC3105 drives the ALM pin low and sets the ALM\_VOLT or ALM\_SOC bit in REG\_CTRL.

The ALM pin remains low (even if the conditions disappear) until the software writes the ALM\_VOLT and ALM\_SOC bits to 0 to clear the interrupt.

Clearing the ALM\_VOLT or ALM\_SOC while the corresponding low-voltage or low-SOC condition is still true does not generate another interrupt; this condition must disappear first and must be detected again before another interrupt (ALM pin driven low) is generated for this alarm. The other alarm condition, if not yet triggered, can still generate an interrupt.

Usually, the low-SOC alarm occurs first to warn the application of a low battery condition, then if no action is taken and the battery discharges further, the low-voltage alarm signals a nearly-empty battery condition.

At power-up, or when the STC3105 is reset, the alarm output is disabled (ALM\_ENA bit = 0), the threshold levels (low-voltage alarm, low-SOC alarm) are cleared, and the base SOC and relaxation counter are cleared.

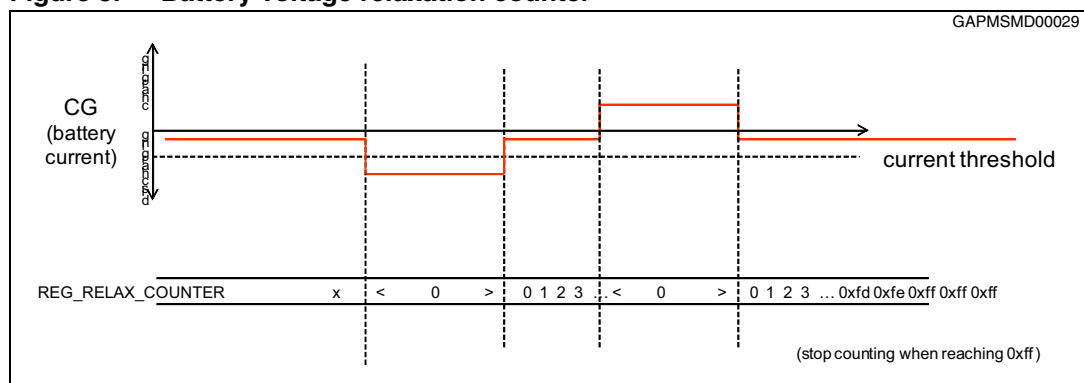
## 6.6 Battery voltage relaxation timer

A battery relaxation timer is counted from the time that the current is below 0 and above the current threshold, meaning the battery is in a light-load condition. The relaxation counter register is an 8-bit read-only register clocked every 2 voltage conversion (8 s) and can go up to about 30 min; when the counter reaches its max value 0xff, it stops at this max value. The counter is cleared when the current is above 0 (charging) or below the current threshold (high rate discharge).

The relaxation counter register is read from I<sup>2</sup>C by the gas gauge firmware to check that the battery voltage had enough time to relax from the last time the current was high or charging.

The current threshold register is an 8-bit R/W register set by the gas gauge firmware from I<sup>2</sup>C. It can be programmed from 0.1 to 100% of the full scale current range with 0.4% steps

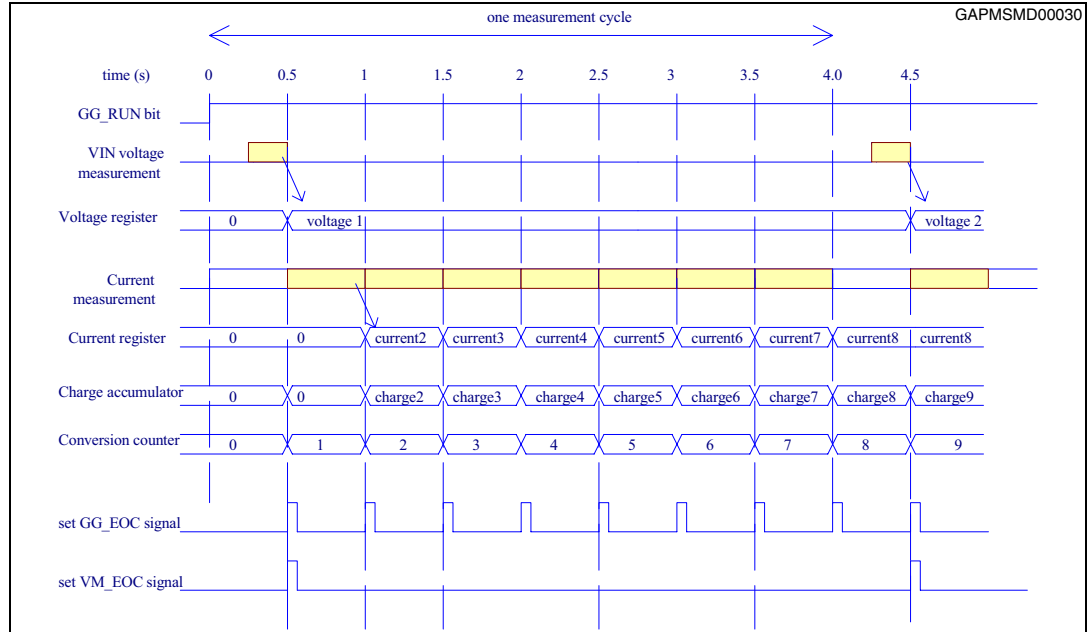
**Figure 5. Battery voltage relaxation counter**



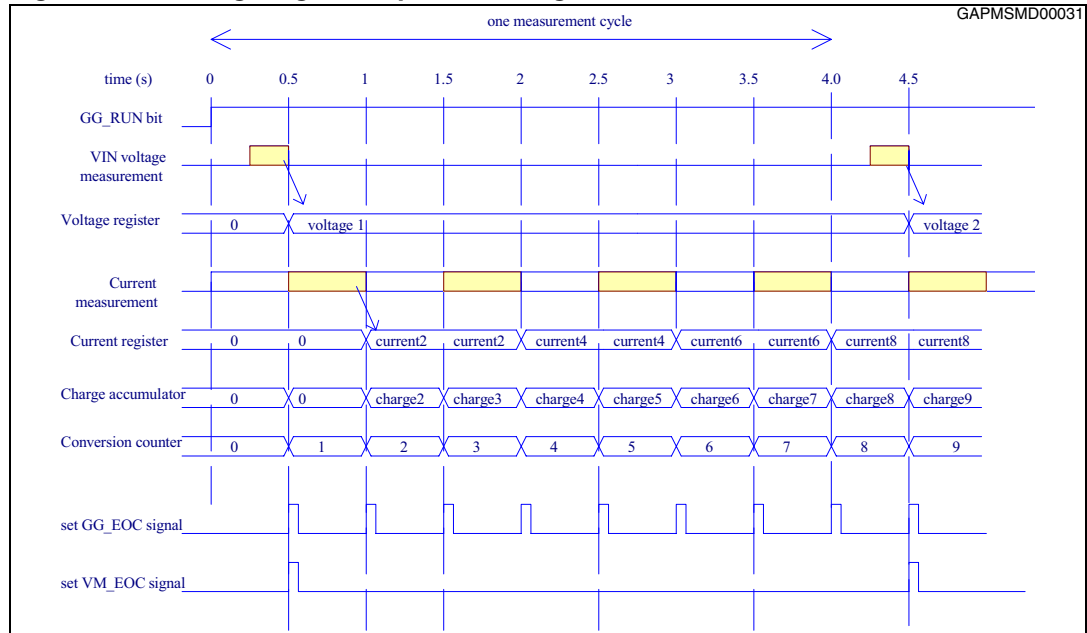
### 6.7 Timing diagram in run mode

Figures 6 and 7 describe the timing diagrams of the STC3105. It is assumed that the gas gauge has been reset with GG\_RST before GG\_RUN=1.

**Figure 6. Timing diagram in active run mode**



**Figure 7. Timing diagram in power-saving run mode**



The voltage is measured first after GG\_RUN bit is set to 1. The charge accumulator is updated every 500 ms using the last current value. The measurement cycles can be interrupted by setting GG\_RUN=0 and the current conversion cycle is aborted.

## 7 I<sup>2</sup>C interface

### 7.1 Read and write operations

The interface is used to control and read the current accumulator and registers. It is compatible with the Philips I<sup>2</sup>C registered trademark (version 2.1). It is a slave serial interface with a serial data line (SDA) and a serial clock line (SCL).

- SCL: input clock used to shift data
- SDA: input/output bidirectional data transfers

A filter rejects the potential spikes on the bus data line to preserve data integrity.

The bidirectional data line supports transfers up to 400 kbit/s (fast mode). The data is shifted to and from the chip on the SDA line, MSB first.

The first bit must be high (START) followed by the 7-bit device address and the read/write control bit. Bits DevADDR0 to DevADDR2 are factory-programmable, the default device address value being 1110 000 (AddrID0 = AddrID1 = AddrID2 = 0). The STC3105 then sends an acknowledge at the end of an 8-bit long sequence. The next 8 bits correspond to the register address followed by another acknowledge.

The data field is the last 8-bit long sequence sent, followed by a last acknowledge.

**Table 7. Device address format**

b7	b6	b5	b4	b3	b2	b1	b0
1	1	1	0	DevADDR2	DevADDR1	DevADDR0	R/W

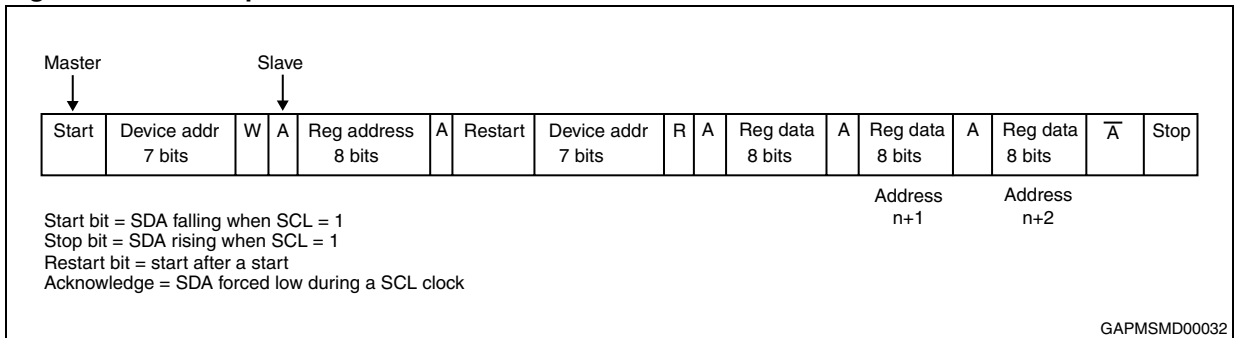
**Table 8. Register address format**

b7	b6	b5	b4	b3	b2	b1	b0
RegADDR7	RegADDR6	RegADDR5	RegADDR4	RegADDR3	RegADDR2	RegADDR1	RegADDR0

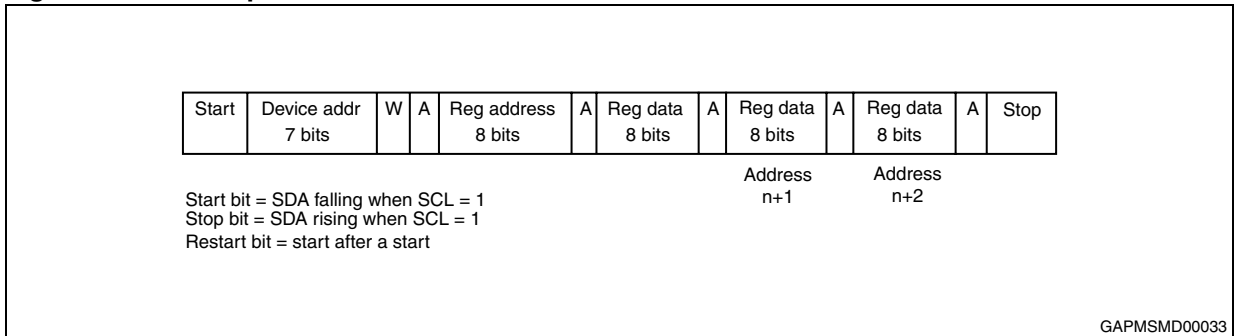
**Table 9. Register data format**

b7	b6	b5	b4	b3	b2	b1	b0
DATA7	DATA6	DATA5	DATA4	DATA3	DATA2	DATA1	DATA0

**Figure 8. Read operation**



**Figure 9. Write operation**



## 7.2 Register map

The register space provides 17 control registers, 1 read-only register for device ID and 16 read/write RAM working registers reserved for the gas gauge algorithm. Mapping of all registers is shown in [Table 10](#). Detailed descriptions of registers 0 (REG\_MODE) and 1 (REG\_CTRL) are shown in [Table 11](#) and [Table 12](#). All registers are reset to default values at power-on or reset, and the PORDET bit in register REG\_CTRL is used to indicate the occurrence of a power-on reset.

**Table 10. Register map**

Name	Address (decimal)	Type	Description
<b>Control registers</b>	0 to 23		
REG_MODE	0	R/W	Mode register
REG_CTRL	1	R/W	Control and status register
REG_CHARGE_LOW	2	R	State-of-charge data, bits 0-7
REG_CHARGE_HIGH	3	R	State-of-charge data, bits 8-15
REG_COUNTER_LOW	4	R	Number of conversions, bits 0-7
REG_COUNTER_HIGH	5	R	Number of conversions, bits 8-15
REG_CURRENT_LOW	6	R	Battery current value, bits 0-7
REG_CURRENT_HIGH	7	R	Battery current value, bits 8-15
REG_VOLTAGE_LOW	8	R	Battery voltage value, bits 0-7
REG_VOLTAGE_HIGH	9	R	Battery voltage value, bits 8-15
REG_SOC_BASE_LOW	10	R/W	SOC base value, bits 0-7
REG_SOC_BASE_HIGH	11	R/W	SOC base value, bits 8-15
REG_ALARM_SOC_LOW	12	R/W	SOC alarm level, bits 0-7
REG_ALARM_SOC_HIGH	13	R/W	SOC alarm level, bits 8-15
REG_ALARM_VOLTAGE	14	R/W	Battery low voltage alarm level
REG_CURRENT_THRES	15	R/W	Current threshold for the voltage relaxation counter
REG_RELAX_COUNT	16	R	Voltage relaxation counter
<b>Device ID register</b>			
REG_ID	24	R	Part type ID = 12h
<b>RAM registers</b>	32 to 47		
REG_RAM0	32	R/W	Working register 0 for gas gauge
...	...		...
REG_RAM15	47	R/W	Working register 15 for gas gauge

Values held in consecutive registers (such as the charge value in the REG\_CHARGE\_LOW and REG\_CHARGE\_HIGH registers) must be read with a single I<sup>2</sup>C access to ensure data integrity. It is possible to read multiple values in one I<sup>2</sup>C access; all values will be consistent.



The charge data is coded in 2's complement format, and the LSB value is 6.70  $\mu$ V.h.  
 The battery current is coded in 2's complement format, and the LSB value is 11.77  $\mu$ V.  
 The battery voltage is coded in binary format, and the LSB value is 2.44 mV.

**Table 11. REG\_MODE - address 0**

Name	Pos.	Type	Def.	Description
	0			Unused
	1	R/W	0	Reserved. Write this bit to 0.
PWR_SAVE	2	R/W	0	0: active mode, 1: power-saving mode
ALM_ENA	3	R/W	0	Alarm function: 0: disabled, 1: enabled
GG_RUN	4	R/W	0	0: standby mode. Accumulator and counter registers are frozen, gas gauge and battery monitor functions are in standby. 1: operating mode.
	[7..5]			Unused

**Table 12. REG\_CTRL - address 1**

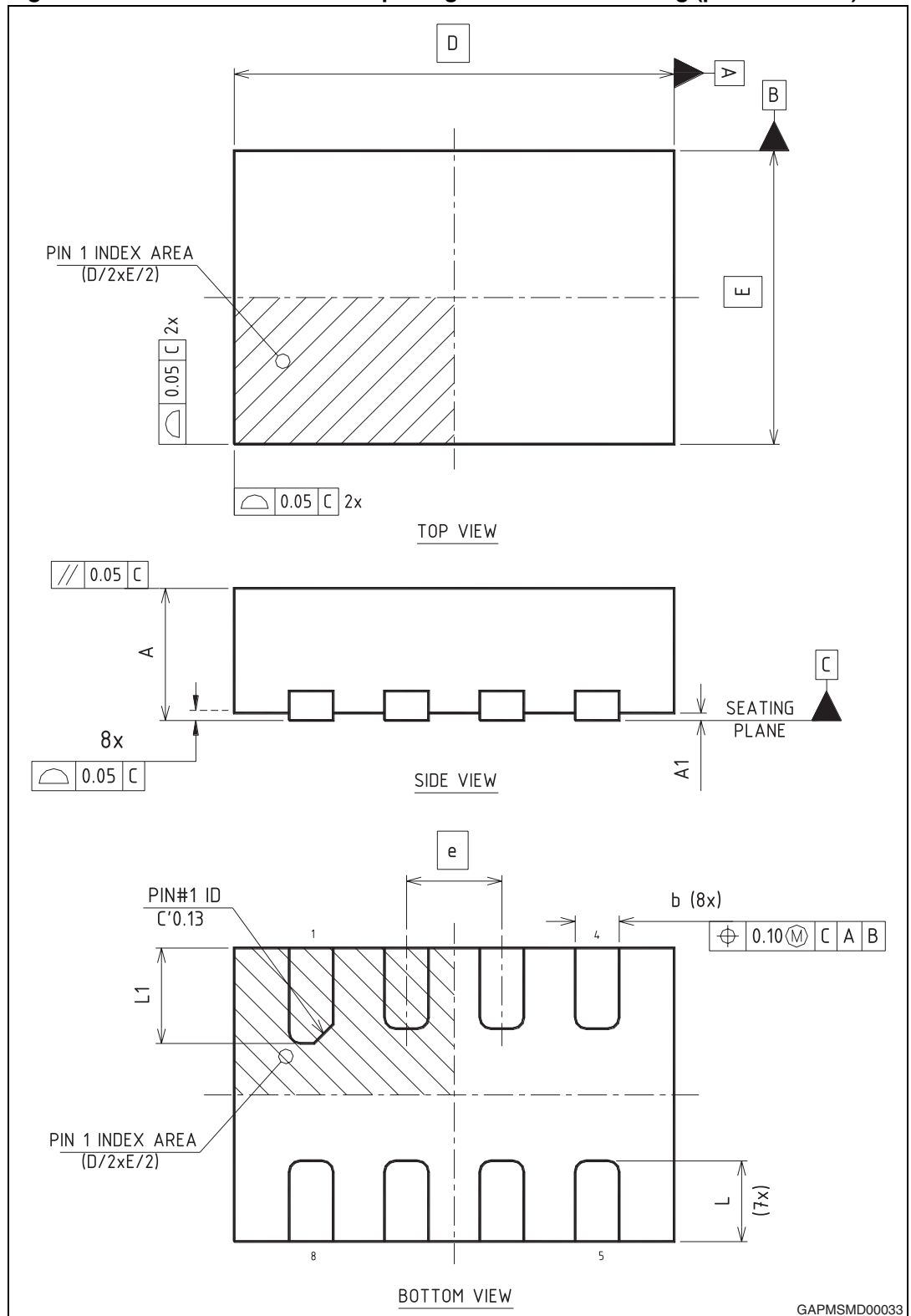
Name	Pos.	Type	Def.	Description
IO0DATA	0	R	X	ALM pin status: 0 = ALM input is low, 1 = ALM input is high
		W	1	ALM pin output drive: 0 = ALM is forced low, 1 = ALM is driven by the alarm conditions
GG_RST	1	W	0	0: no effect 1: resets the charge accumulator and conversion counter. GG_RST is a self-clearing bit.
GG_EOC	2	R	0	Set at the end of a battery current conversion cycle. Clears upon reading.
VM_EOC	3	R	0	Set at the end of a battery voltage conversion cycle. Clears upon reading.
PORDET	4	R	1	Power on reset (POR) detection bit: 0 = no POR event occurred, 1 = POR event occurred
		W	0	Soft reset: 0 = release the soft-reset and clear the POR detection bit, 1 = assert the soft-reset and set the POR detection bit.
ALM_SOC	5	R/W	0	Set by a low-SOC condition. Cleared by writing 0.
ALM_VOLT	6	R/W	0	Set by a low-voltage condition. Cleared by writing 0.
	7			Unused

## 8 Package information

In order to meet environmental requirements, ST offers these devices in different grades of ECOPACK<sup>®</sup> packages, depending on their level of environmental compliance. ECOPACK<sup>®</sup> specifications, grade definitions and product status are available at: [www.st.com](http://www.st.com). ECOPACK<sup>®</sup> is an ST trademark.

### 8.1 TDFN8 package information

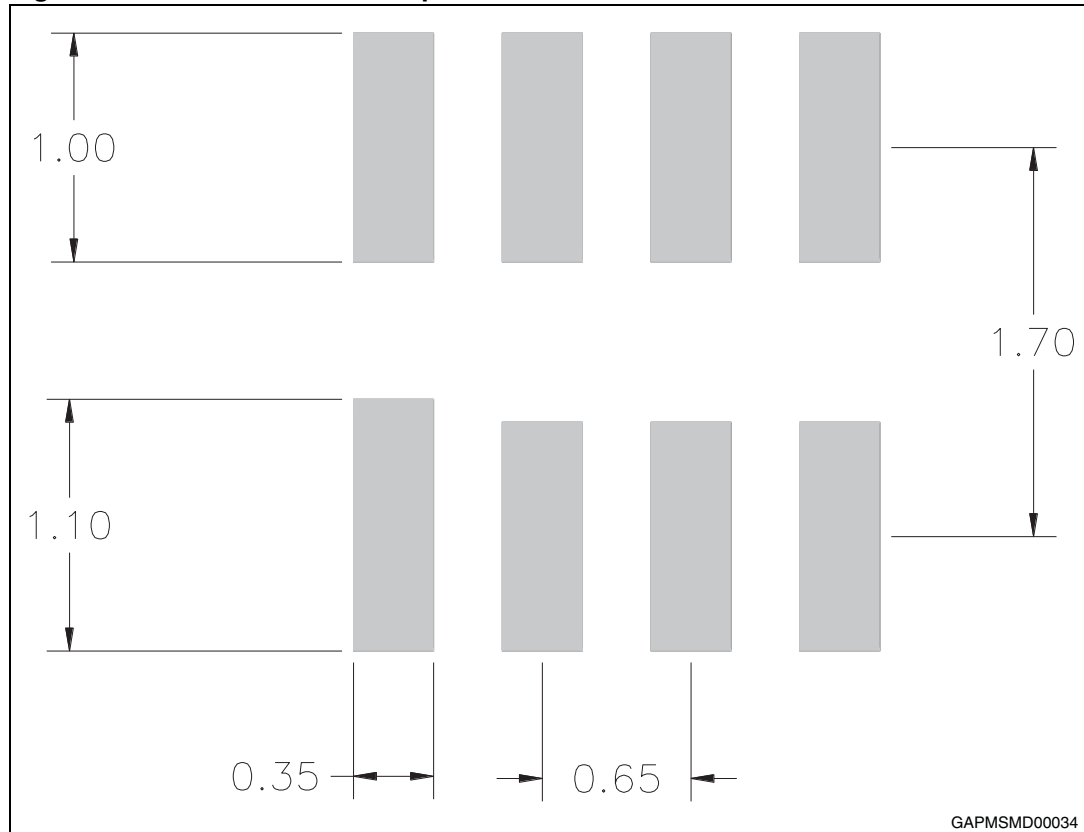
Figure 10. TDFN8 3 x 2 x 0.75 mm package mechanical drawing (pitch 0.65 mm)



**Table 13. TDFN8 3 x 2 x 0.75 mm package mechanical data (pitch 0.65 mm)**

Ref.	Dimensions					
	Millimeters			Inches		
	Min.	Typ.	Max.	Min.	Typ.	Max.
A	0.70	0.75	0.80	0.028	0.030	0.031
A1	0.00	0.02	0.05	0.000	0.000	0.002
b	0.25	0.30	0.35	0.010	0.012	0.014
D	2.90	3.00	3.10	0.114	0.118	0.122
E	1.90	2.00	2.10	0.075	0.079	0.083
e		0.65			0.026	
L	0.45	0.55	0.65	0.018	0.022	0.026
L1	0.55	0.65	0.75	0.022	0.026	0.030

**Figure 11. Recommended land pattern**



## 9 Ordering information

Table 14. Order codes

Part number	Temperature range	Package	Packing	Marking
STC3105IQT	-40°C, +85°C	TDFN8 3 x 2	Tape and reel	O203

## 10 Revision history

**Table 15. Document revision history**

Date	Revision	Changes
07-Sep-2011	1	First release.

**Please Read Carefully:**

Information in this document is provided solely in connection with ST products. STMicroelectronics NV and its subsidiaries ("ST") reserve the right to make changes, corrections, modifications or improvements, to this document, and the products and services described herein at any time, without notice.

All ST products are sold pursuant to ST's terms and conditions of sale.

Purchasers are solely responsible for the choice, selection and use of the ST products and services described herein, and ST assumes no liability whatsoever relating to the choice, selection or use of the ST products and services described herein.

No license, express or implied, by estoppel or otherwise, to any intellectual property rights is granted under this document. If any part of this document refers to any third party products or services it shall not be deemed a license grant by ST for the use of such third party products or services, or any intellectual property contained therein or considered as a warranty covering the use in any manner whatsoever of such third party products or services or any intellectual property contained therein.

**UNLESS OTHERWISE SET FORTH IN ST'S TERMS AND CONDITIONS OF SALE ST DISCLAIMS ANY EXPRESS OR IMPLIED WARRANTY WITH RESPECT TO THE USE AND/OR SALE OF ST PRODUCTS INCLUDING WITHOUT LIMITATION IMPLIED WARRANTIES OF MERCHANTABILITY, FITNESS FOR A PARTICULAR PURPOSE (AND THEIR EQUIVALENTS UNDER THE LAWS OF ANY JURISDICTION), OR INFRINGEMENT OF ANY PATENT, COPYRIGHT OR OTHER INTELLECTUAL PROPERTY RIGHT.**

**UNLESS EXPRESSLY APPROVED IN WRITING BY TWO AUTHORIZED ST REPRESENTATIVES, ST PRODUCTS ARE NOT RECOMMENDED, AUTHORIZED OR WARRANTED FOR USE IN MILITARY, AIR CRAFT, SPACE, LIFE SAVING, OR LIFE SUSTAINING APPLICATIONS, NOR IN PRODUCTS OR SYSTEMS WHERE FAILURE OR MALFUNCTION MAY RESULT IN PERSONAL INJURY, DEATH, OR SEVERE PROPERTY OR ENVIRONMENTAL DAMAGE. ST PRODUCTS WHICH ARE NOT SPECIFIED AS "AUTOMOTIVE GRADE" MAY ONLY BE USED IN AUTOMOTIVE APPLICATIONS AT USER'S OWN RISK.**

Resale of ST products with provisions different from the statements and/or technical features set forth in this document shall immediately void any warranty granted by ST for the ST product or service described herein and shall not create or extend in any manner whatsoever, any liability of ST.

ST and the ST logo are trademarks or registered trademarks of ST in various countries.

Information in this document supersedes and replaces all information previously supplied.

The ST logo is a registered trademark of STMicroelectronics. All other names are the property of their respective owners.

© 2011 STMicroelectronics - All rights reserved

STMicroelectronics group of companies

Australia - Belgium - Brazil - Canada - China - Czech Republic - Finland - France - Germany - Hong Kong - India - Israel - Italy - Japan - Malaysia - Malta - Morocco - Philippines - Singapore - Spain - Sweden - Switzerland - United Kingdom - United States of America

[www.st.com](http://www.st.com)

