

Small Signal Schottky diode

RB715S3

Description

Planar silicon Schottky barrier diode encapsulated in a SOT-323 plastic SMD package.

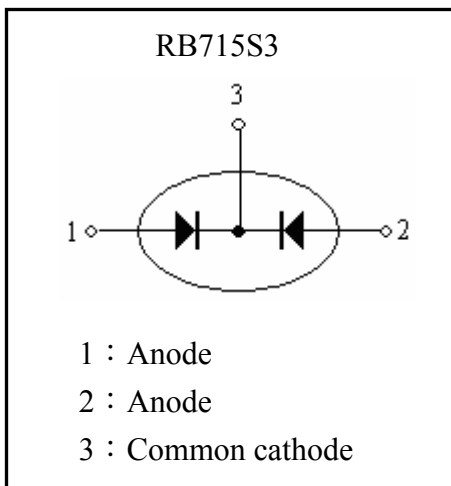
Features

- Small surface mounting type (SC-70/SOT-323).
- Low reverse current and low forward voltage.
- High reliability.
- Pb-free lead plating and halogen-free package.

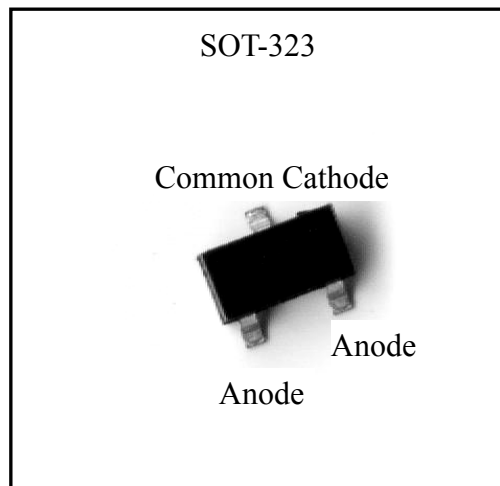
Applications

Low current rectification and high speed switching.

Symbol



Outline



Ordering Information

Device	Package	Shipping	Marking
RB715S3	SOT-323 (Pb-free lead plating and halogen-free package)	3000 pcs / Tape & Reel	3D

Absolute Maximum Ratings @ $T_A=25^{\circ}C$

Parameters	Symbol	Min	Max	Unit
Repetitive peak reverse voltage	V_{RRM}	-	40	V
Reverse voltage(DC)	V_R	-	40	V
Average rectified forward current	I_O	-	30	mA
Repetitive peak forward current (60Hz, 1 cyc) (Note 1)	I_{FRM}		200	mA
Total power dissipation	P_D		200	mW
Operating Junction and Storage Temperature Range	$T_j; T_{stg}$	-40	+125	$^{\circ}C$

Note : 1.Rating of per diode.

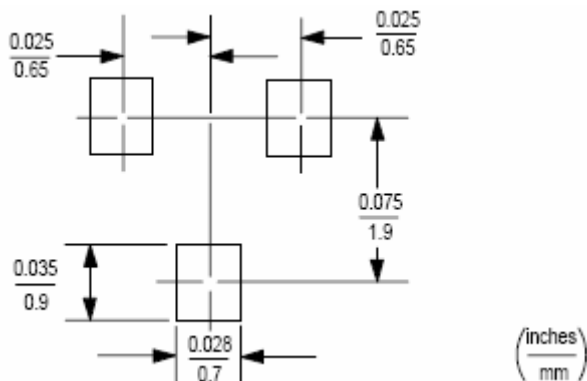
Characteristics ($T_a=25^{\circ}C$)

Characteristic	Symbol	Condition	Min.	Typ	Max.	Unit
Forward Voltage	V_F	$I_F=1mA$	-	-	370	mV
Reverse Leakage Current	I_R	$V_R=30V$	-	-	0.5	μA
Capacitance Between Terminals	C_T	$V_R=1V, f=1MHz$	-	2	-	pF

Thermal Characteristics

Symbol	Parameter	Conditions	Value	Unit
$R_{th, j-a}$	thermal resistance from junction to ambient	Note 1	500	$^{\circ}C/W$

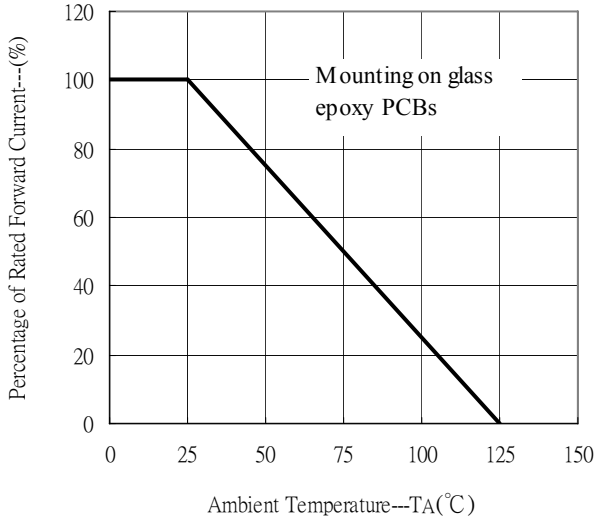
Recommended Footprint



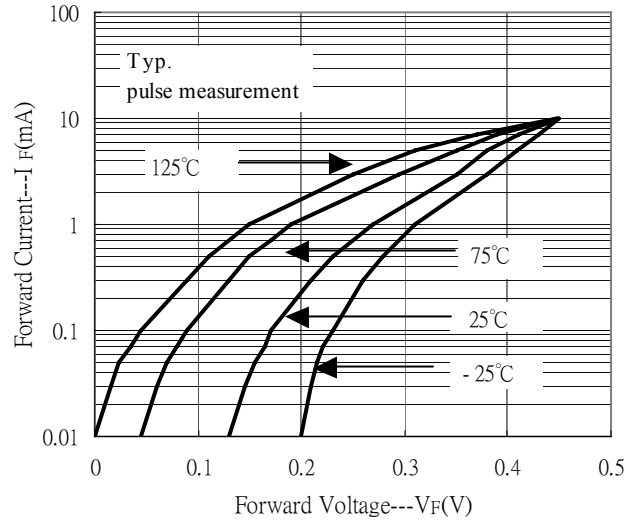


Typical Characteristics

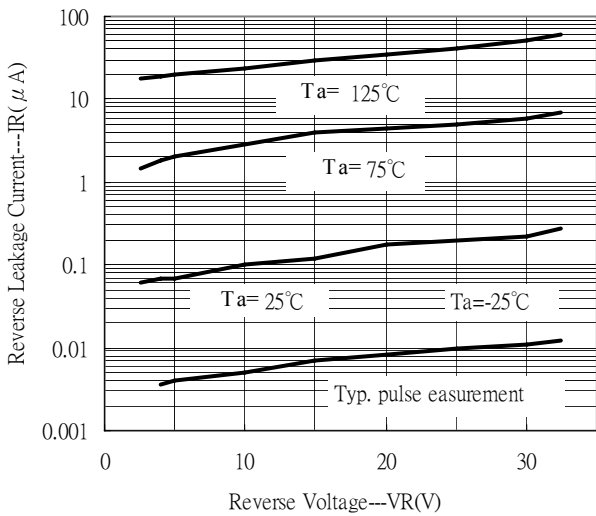
Forward Current Derating Curve



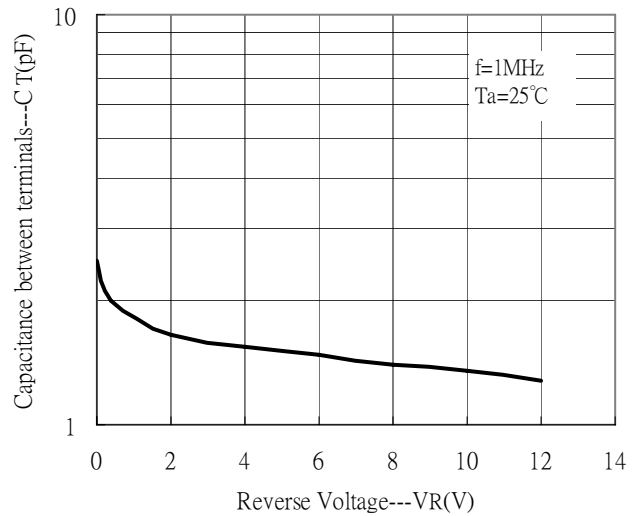
Forward Current vs Forward Voltage



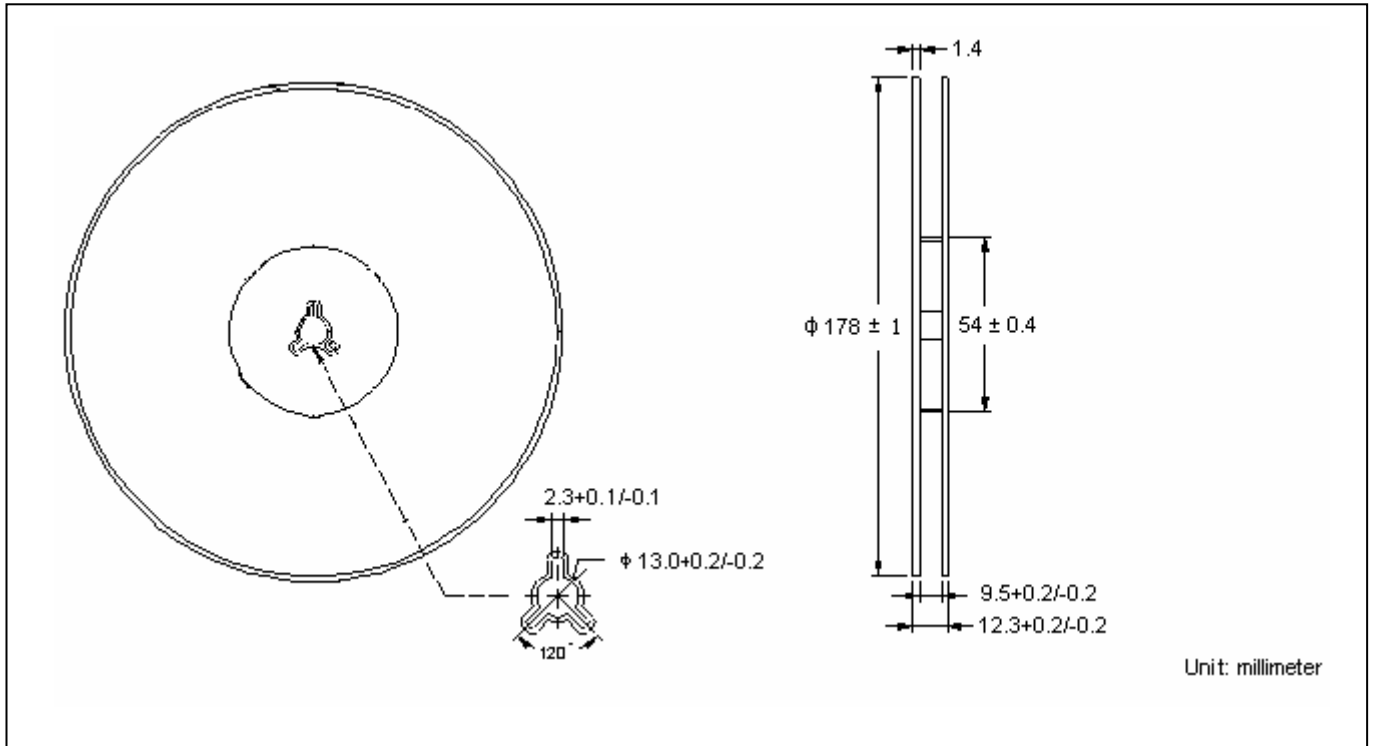
Reverse Leakage Current vs Reverse Voltage



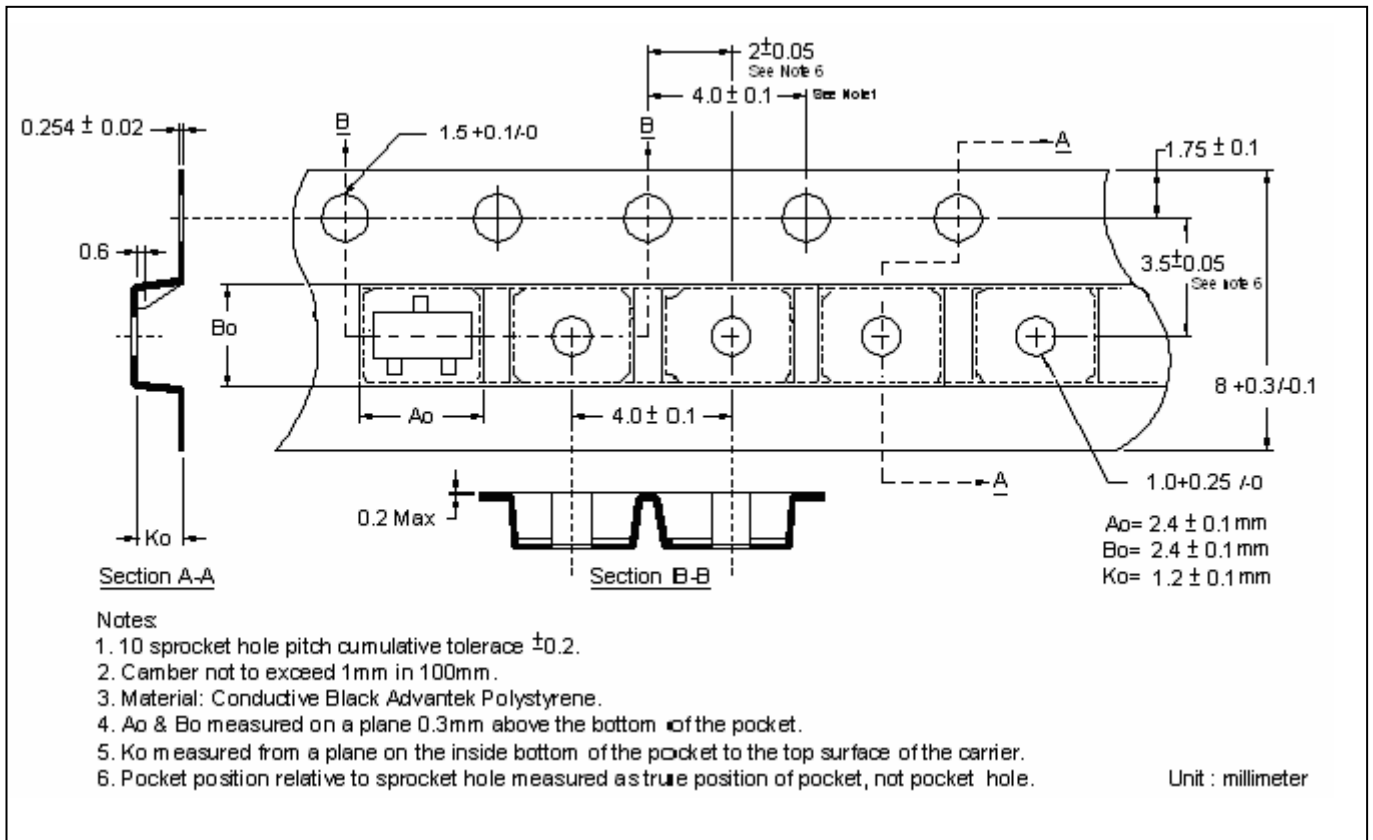
Capacitance vs Reverse Voltage



Reel Dimension



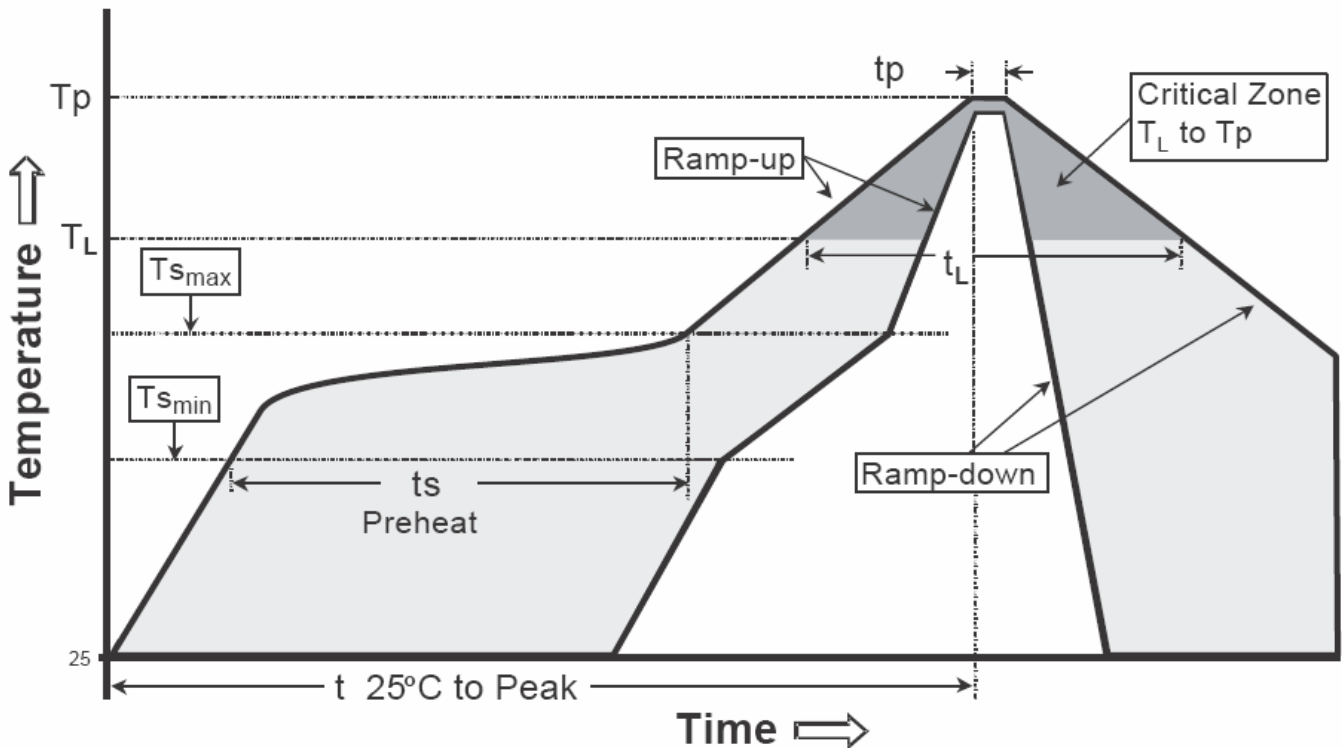
Carrier Tape Dimension



Recommended wave soldering condition

Product	Peak Temperature	Soldering Time
Pb-free devices	260 +0/-5 °C	5 +1/-1 seconds

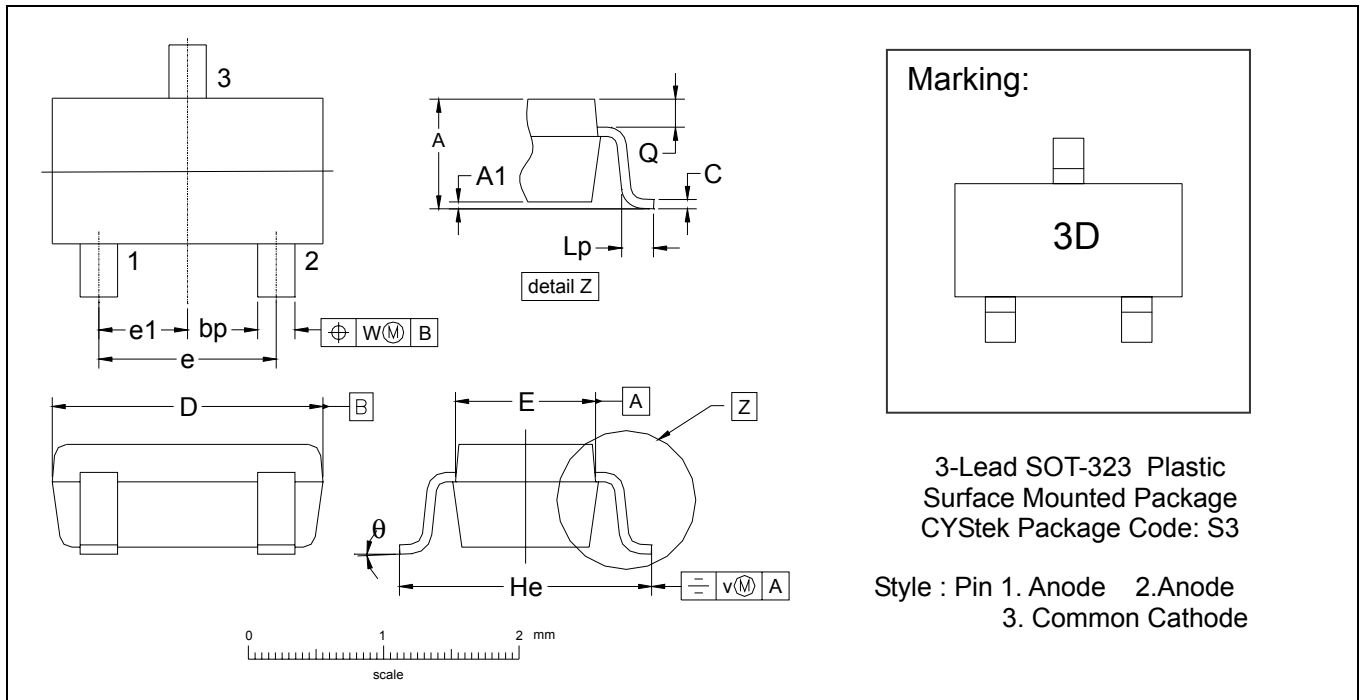
Recommended temperature profile for IR reflow



Profile feature	Sn-Pb eutectic Assembly	Pb-free Assembly
Average ramp-up rate (Tsmax to Tp)	3°C/second max.	3°C/second max.
Preheat		
-Temperature Min(Ts min)	100°C	150°C
-Temperature Max(Ts max)	150°C	200°C
-Time(ts min to ts max)	60-120 seconds	60-180 seconds
Time maintained above:		
-Temperature (Tl)	183°C	217°C
- Time (tl)	60-150 seconds	60-150 seconds
Peak Temperature(Tp)	240 +0/-5 °C	260 +0/-5 °C
Time within 5°C of actual peak temperature(tp)	10-30 seconds	20-40 seconds
Ramp down rate	6°C/second max.	6°C/second max.
Time 25 °C to peak temperature	6 minutes max.	8 minutes max.

Note : All temperatures refer to topside of the package, measured on the package body surface.

SOT-323 Dimension



*: Typical

DIM	Inches		Millimeters		DIM	Inches		Millimeters	
	Min.	Max.	Min.	Max.		Min.	Max.	Min.	Max.
A	0.0315	0.0433	0.80	1.10	e1	0.0256	-	0.65	-
A1	0.0000	0.0039	0.00	0.10	He	0.0787	0.0886	2.00	2.25
bp	0.0118	0.0157	0.30	0.40	Lp	0.0059	0.0177	0.15	0.45
C	0.0039	0.0098	0.10	0.25	Q	0.0051	0.0091	0.13	0.23
D	0.0709	0.0866	1.80	2.20	v	0.0079	-	0.2	-
E	0.0453	0.0531	1.15	1.35	w	0.0079	-	0.2	-
e	0.0512	-	1.3	-	θ	-	-	10°	0°

Notes: 1.Controlling dimension: millimeters.
 2.Maximum lead thickness includes lead finish thickness, and minimum lead thickness is the minimum thickness of base material.
 3.If there is any question with packing specification or packing method, please contact your local CYStek sales office.

Material:

- Lead: Pure tin plated.
- Mold Compound: Epoxy resin family, flammability solid burning class: UL94V-0

Important Notice:

- All rights are reserved. Reproduction in whole or in part is prohibited without the prior written approval of CYStek.
- CYStek reserves the right to make changes to its products without notice.
- CYStek **semiconductor products are not warranted to be suitable for use in Life-Support Applications, or systems.**
- CYStek assumes no liability for any consequence of customer product design, infringement of patents, or application assistance.