

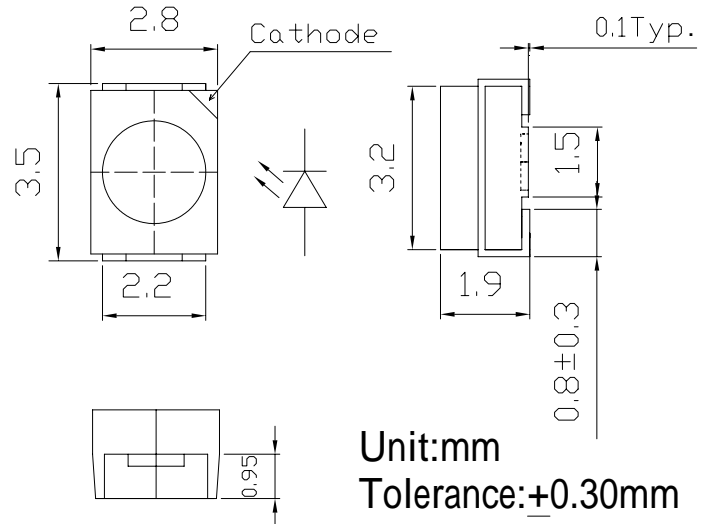
### ■Features

- High Luminous PLCC2 Top SMD LEDs
- 3.5x2.8x1.9mm Standard Directivity
- Long Lifetime Operation
- Superior Weather-resistance
- Red Diffused Type

### ■Applications

- Backlighting (switches, keys, displays, illuminated advertising etc.)
- Substitution of Micro Incandescent Lamps
- Reading Lamps / Emergency Lighting
- Marker lights (e.g. steps, exit ways, etc.)
- Other Lighting

### ■Outline Dimension



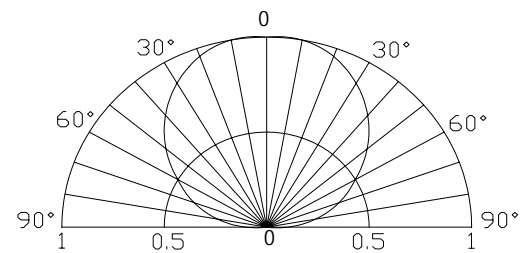
### ■Absolute Maximum Rating

(Ta=25 )

| Item                       | Symbol    | Value      | Unit |
|----------------------------|-----------|------------|------|
| DC Forward Current         | $I_F$     | 30         | mA   |
| Pulse Forward Current*     | $I_{FP}$  | 100        | mA   |
| Reverse Voltage            | $V_R$     | 5          | V    |
| Power Dissipation          | $P_D$     | 108        | mW   |
| Operating Temperature      | $T_{opr}$ | -30 ~ +85  |      |
| Storage Temperature        | $T_{stg}$ | -40 ~ +100 |      |
| Lead Soldering Temperature | $T_{sol}$ | 260 /5sec  | -    |

\*Pulse width Max.10ms Duty ratio max 1/10

### ■Directivity



### Electrical -Optical Characteristics

(Ta=25 )

| Item                      | Symbol          | Condition  | Min. | Typ.  | Max. | Unit    |
|---------------------------|-----------------|------------|------|-------|------|---------|
| DC Forward Voltage        | $V_F$           | $I_F=20mA$ | 2.8  | 3.1   | 3.6  | V       |
| DC Reverse Current        | $I_R$           | $V_R=5V$   | -    | -     | 10   | $\mu A$ |
| Luminous Flux             | $v$             | $I_F=20mA$ | 3.5  | 4.1   | -    | lm      |
| Chromaticity Coordinates* | x               | $I_F=20mA$ | -    | 0.356 | -    |         |
|                           | y               | $I_F=20mA$ | -    | 0.208 | -    |         |
| 50% Power Angle           | $2\theta_{1/2}$ | $I_F=20mA$ | -    | 120   | -    | deg     |

\*1 Luminous Flux Measurement allowance is  $\pm 15\%$

\*2 Chromaticity Coordinates Measurement allowance is  $\pm 10\%$