

Customer Information Sheet

DRAWING No.: M80-880XX98

SHEET 2 OF 2

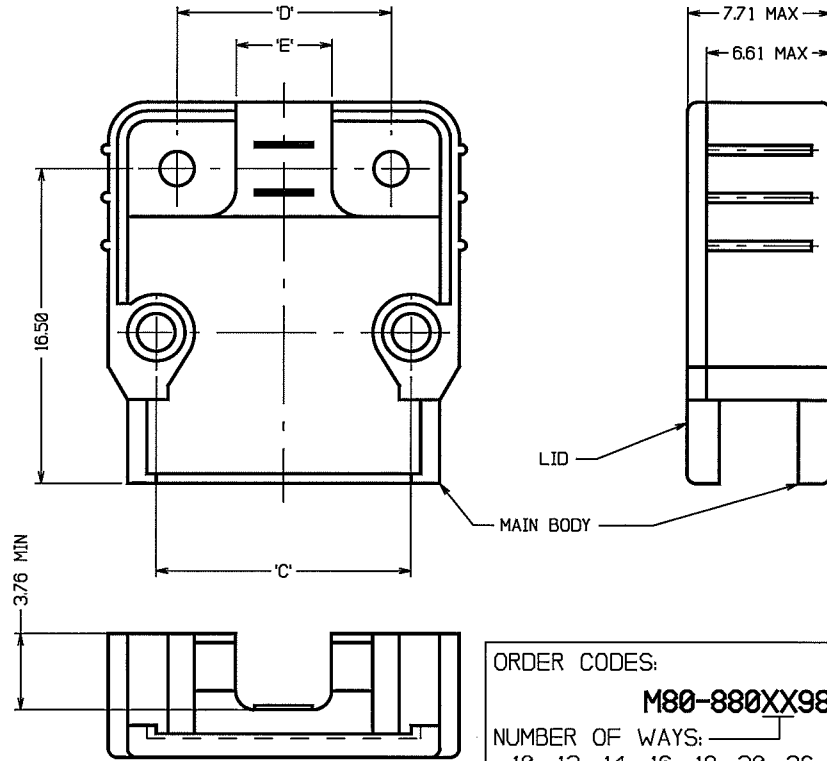
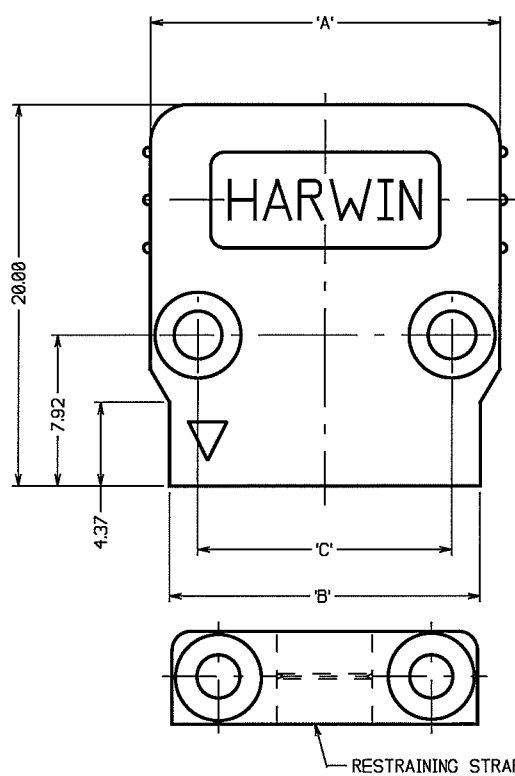
IF IN DOUBT - ASK

©

NOT TO SCALE

THIRD ANGLE PROJECTION

ALL DIMENSIONS IN mm



ORDER CODES:
M80-880XX98
 NUMBER OF WAYS: _____
 10, 12, 14, 16, 18, 20, 26, 34

ASSEMBLY PART NUMBER	No OF WAYS	DIMENSIONS				
		'A'	'B'	'C'	'D'	'E'
M80-8801098	10	16.30	14.30	11.30	9.15	5.00
M80-8801298	12	18.30	16.30	13.30	11.15	5.00
M80-8801498	14	20.30	18.30	15.30	13.15	6.00
M80-8801698	16	22.30	20.30	17.30	15.15	6.00
M80-8801898	18	24.30	22.30	19.30	17.15	7.00
M80-8802098	20	26.30	24.30	21.30	19.15	8.00
M80-8802698	26	32.30	30.30	27.30	25.15	10.00
M80-8803498	34	40.30	38.30	35.30	33.15	14.00

NOTES:

- ASSEMBLY KIT ALSO INCLUDES 2 OFF 2 x 4.5 LONG FOR STRAP & 2 OFF 2 x 6.0 LONG FOR LID SELF TAPPING SCREWS.
- MATERIAL FOR LID, BODY & STRAP:
30% GLASS FILLED POLYESTER, UL94V-0, BLACK.
- FOR INSTRUCTION SPECIFICATIONS, SEE INSTRUCTION SHEET IS-08.

RA	5	16.03.09	10311
NAME	ISS.	DATE	C/NOTE
APPROVED: <i>[Signature]</i>			
CHECKED: <i>[Signature]</i>			
DRAWN:		P. COLLINS	
CUSTOMER REF.:			
ASSEMBLY DRG:			

HARWIN

HARWIN USA
 TEL: 603 893 5376
 FAX: 603 893 5396
 mis@harwin.com

HARWIN Europe (UK)
 TEL: 023 9231 4545
 FAX: 023 9231 4590
 mis@harwin.co.uk

HARWIN Asia
 TEL: +65 6 779 4909
 FAX: +65 6 779 3868
 mis@harwin.com.sg

THIS DRAWING AND ANY INFORMATION OR DESCRIPTIVE MATTER SET OUT HEREON ARE CONFIDENTIAL AND COPYRIGHT PROPERTY OF THE HARWIN GROUP AND MUST NOT BE DISCLOSED, LOANED, COPIED OR USED FOR MANUFACTURING, TENDERING OR FOR ANY OTHER PURPOSE WITHOUT THEIR WRITTEN PERMISSION.

TOLERANCES
 X. - ±1mm
 X.X - ±0.25mm
 X.XX - ±0.10mm
 X.XXX - ±0.01mm
 ANGLES - ±5°
 UNLESS STATED

MATERIAL:
 SEE NOTES
 FINISH: CLEAN + FLASH FREE
 S/AREA: mm²

TITLE:
 DATAMATE CABLE HOOD
 ASSEMBLY/KIT
 DRAWING NUMBER:
M80-880XX98
 SHT 2 OF 2