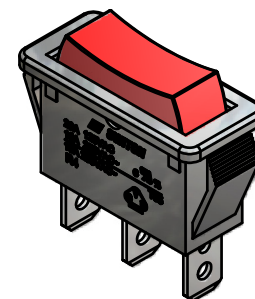
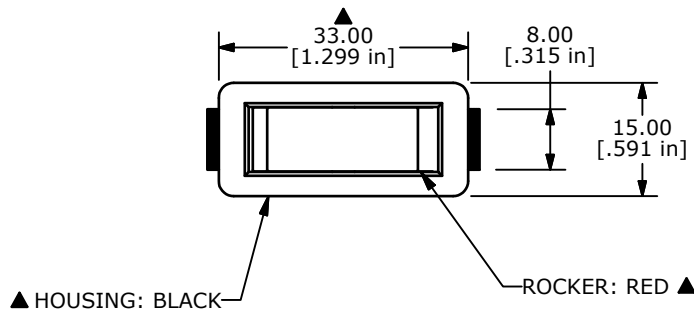


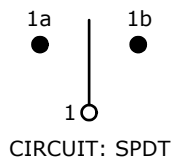
RECOMMENDED PANEL MOUNTING

PANEL THICKNESS	X± 0.05
0.75-1.25	29.65
1.25-2.00	30.15
2.00-3.00	30.50



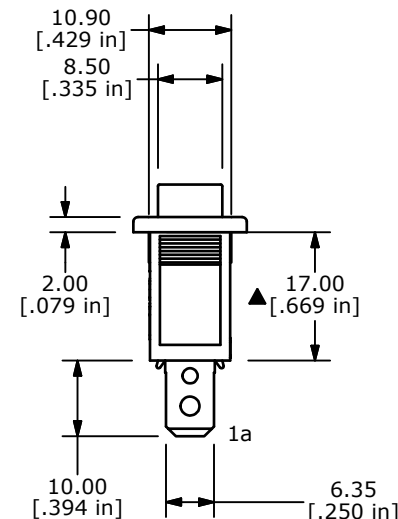
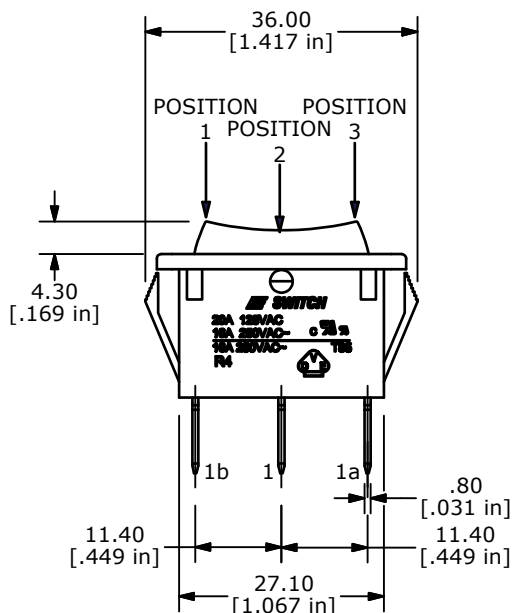
SWITCH FUNCTION		
POS. 1	POS. 2	POS. 3
(ON)	OFF	ON
1-1a	OPEN	1-1b

(ON)=MOMENTARY



NOTES:

1. ALL DIMENSIONS IN MM [INCH]
2. GENERAL TOLERANCE: X.X=± 0.4  
X.XX=± 0.25
3. TERM. NOS. FOR REF. ONLY
4. RATING: 10A 250VAC, 15A 125VAC UL APPROVED  
10A 250VAC VDE APPROVED
5. ELECTRICAL LIFE: OVER 10,000 CYCLES
6. MECHANICAL LIFE: OVER 30,000 CYCLES
7. CONTACT RESISTANCE: <20 mΩ(INITIAL)
8. DIELECTRIC STRENGTH: >1500V 1 min
9. INSULATION RESISTANCE: >1,000 mΩ @ 500V DC
10. OPERATING TEMPERATURE: TERMINAL SIDE -20°C to 85°C  
ROCKER SIDE -20°C to 55°C
11. ▲ DENOTES CRITICAL PARAMETER
12. 2002/95/EC (ROHS) COMPLIANT



E	20101	CORRECT RATING	08/17/11	BMA
D	19890	UPDATE DRAWING	04/28/11	BMA
C	16000	UPDATE TO CURRENT STANDARDS	05/03/06	CT
REV	PCR NO	DESCRIPTION	DATE	BY

THE INFORMATION CONTAINED IN THIS DOCUMENT IS PROPRIETARY TO E-SWITCH AND IS NOT TO BE COPIED OR TRANSFERRED



TITLE R4IBLKREDEFO

SCALE	DATE	DR	DWG	REV
1:1	2/27/2006	--	M040117	E