

## DETAILS

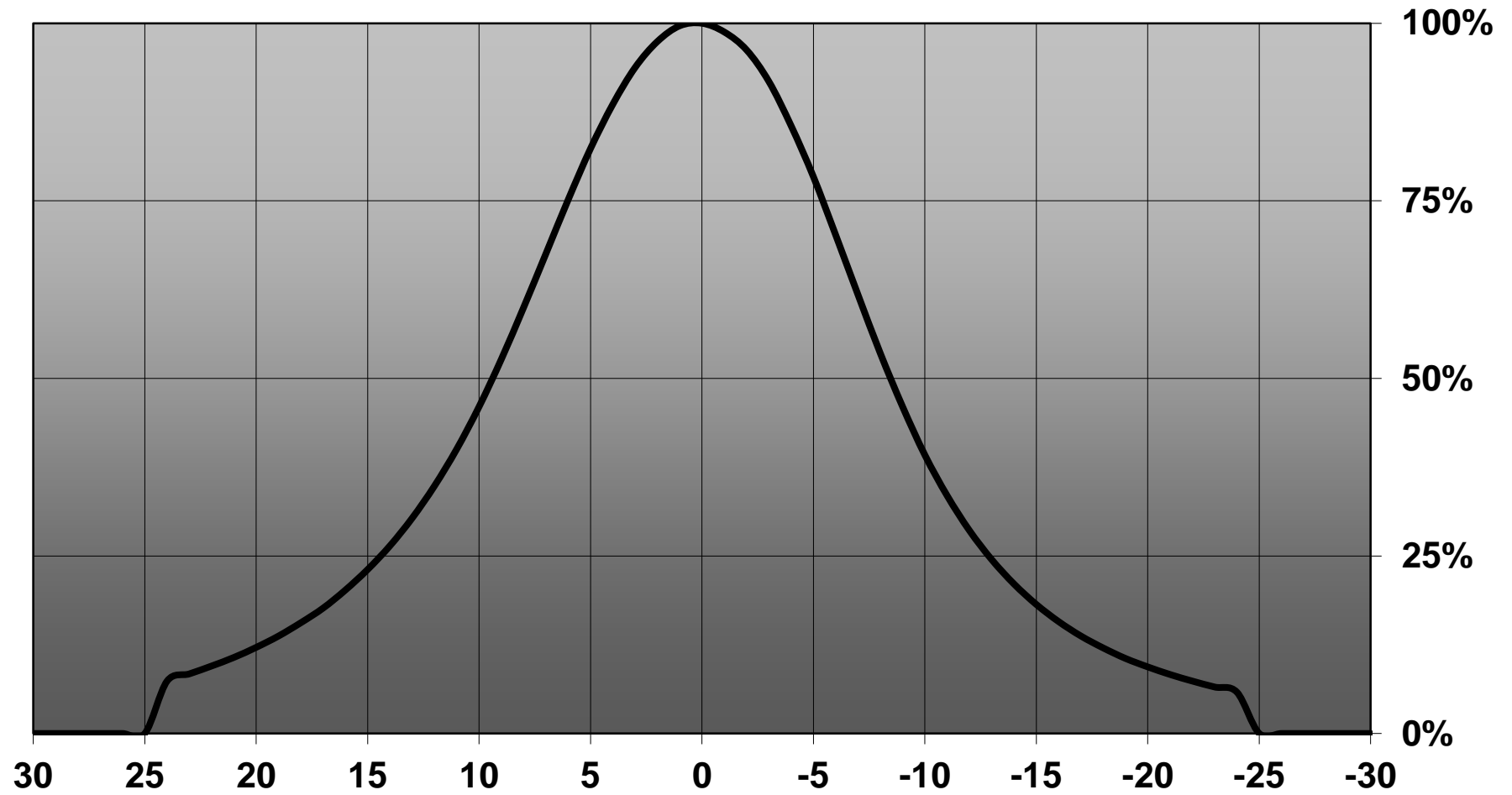
<b>Product Number</b>	FCA14963_G2-NIS033U-S-PIN
<b>Family</b>	Rose
<b>Type</b>	Assembly
<b>Color</b>	black
<b>Diameter</b>	21,6 + 21,6 mm
<b>Height</b>	12,9 mm
<b>Style</b>	square
<b>Optic Material</b>	Silicone
<b>Holder Material</b>	
<b>Fastening</b>	tape, pin
<b>Status</b>	production ready
<b>ROHS Compliant</b>	Yes
<b>Date Updated</b>	17/01/2018



## OPTICAL PROPERTIES

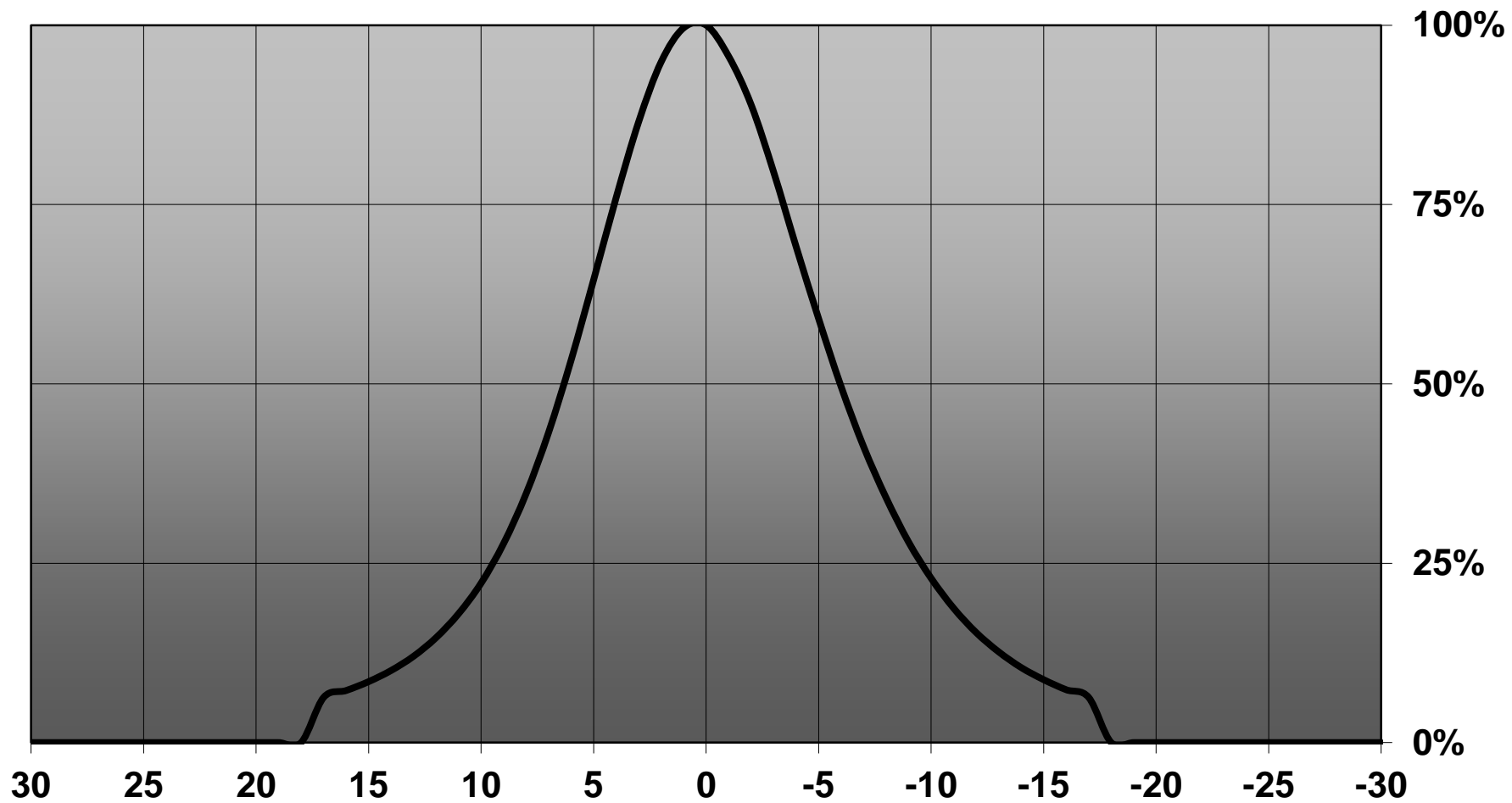
LED	Viewing	Light	Effi-		Connector
	Angle	Beam	ciency	cd/lm	
LZ4-04UV00	18 deg	Spot	-	-	-
6060 1in1 (UV)	12 deg	Spot	-	-	-
NCSU033A	sim: 11	Spot	sim: 94 %	-	-

# Relative intensity of FCA14963\_G2-NIS033U-S-PIN\_(LZ4-04UV00)

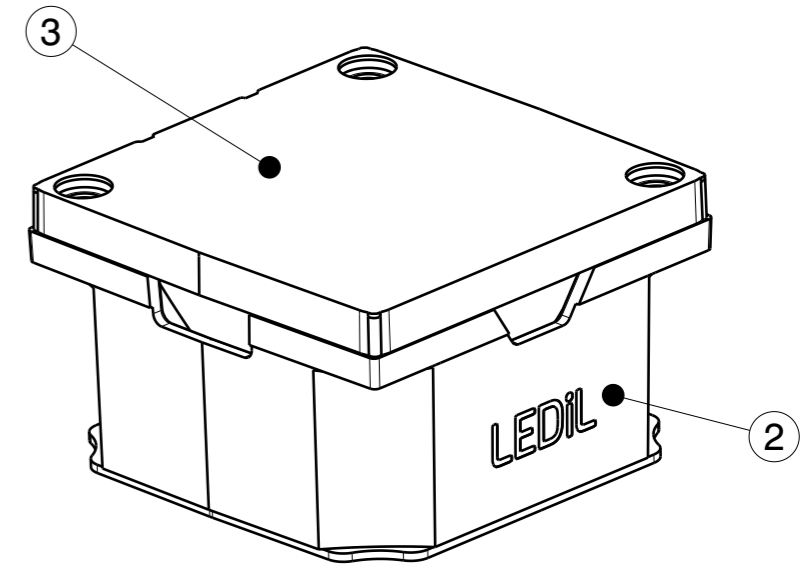
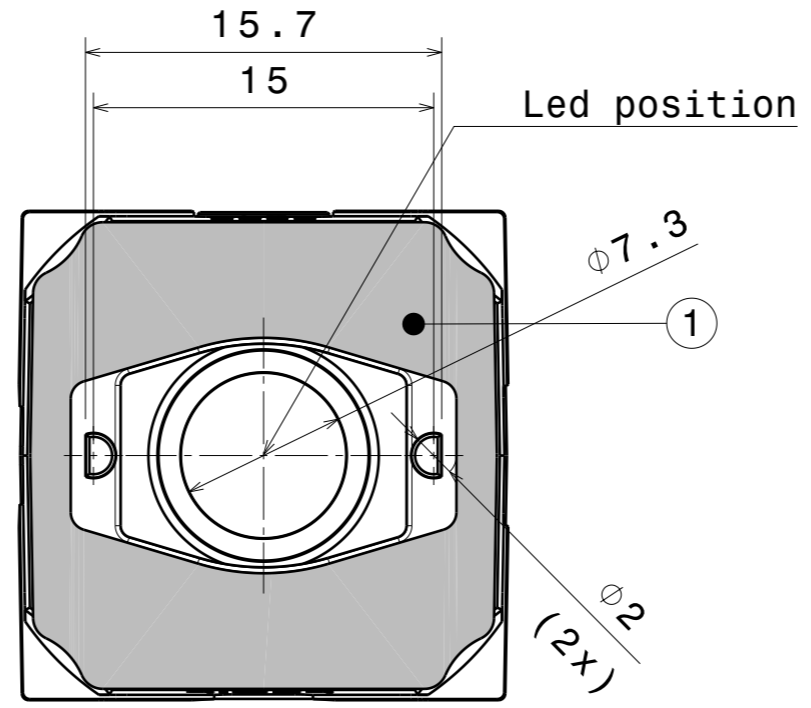
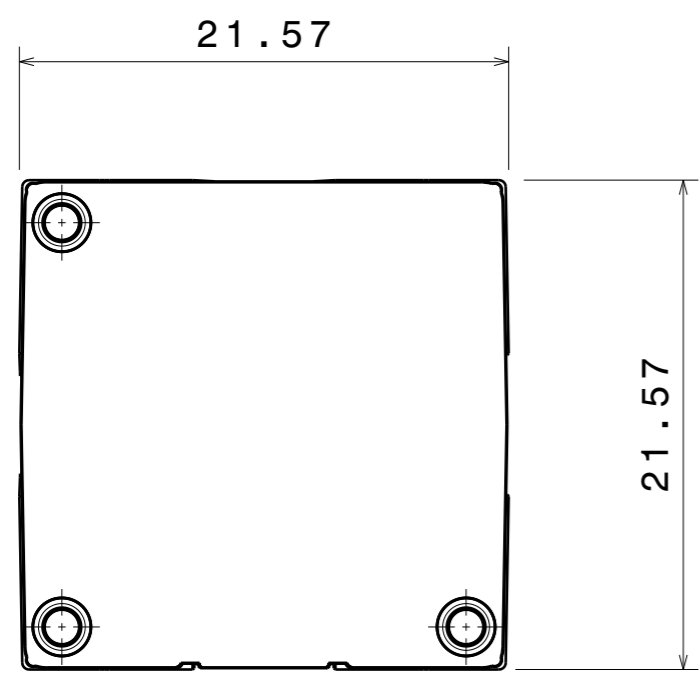
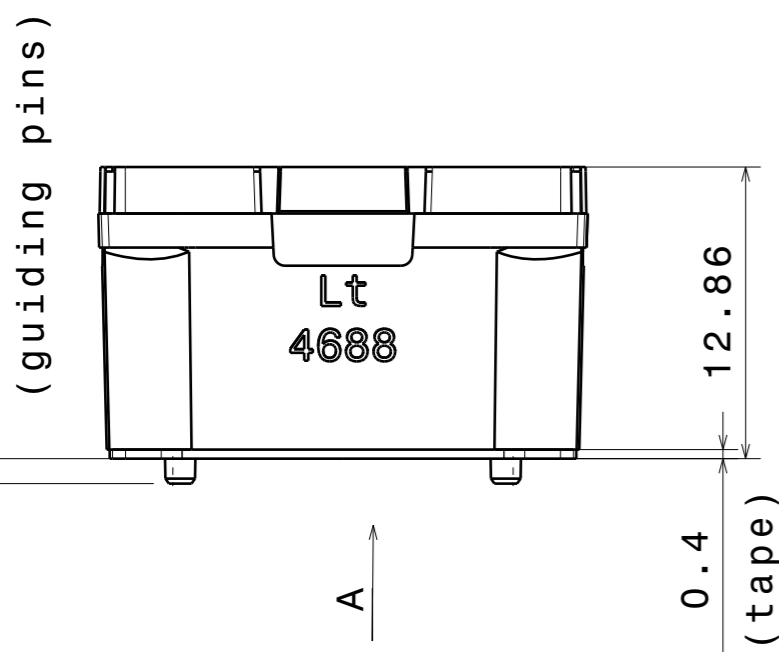


— 0,04355 W/m<sup>2</sup> @ 100mA

# Relative intensity of FCA14963\_G2-NIS033U-S-PIN\_(LG\_6060\_1in1)



— 0,0471 W/m<sup>2</sup> @ 100mA



Isometric view

Direction A

INDEX	PART NO	DESCRIPTION	MATERIAL	COLOUR
1	C15050	ROSE-TAPE	PU 2-sided foam tape	adhesive
2	C14688	G2-ROSE-LT-HLD	Pc	black
3	F14009	ROSE-UV-RS	LSR silicone	clear

Tolerances if not otherwise shown  
 According to DIN ISO 2768-1  
 Linear measures:  
 up to 30mm class M, otherwise class C  
 According to DIN ISO 2768-2  
 Form and position: class L

**LEDiL** LediL Oy  
 Salorankatu 10  
 FIN 24240 SALO  
 Finland

THIRD ANGLE PROJECTION:

DRAWING TITLE  
**FCA14963\_G2-NIS033U-S-PIN**

This drawing is the property of LEDiL Oy. It may not be reproduced, copied or communicated without a written agreement with LEDiL Oy.

SIZE PART NUMBER  
**A3 FCA14963**

SCALE 3:1 WEIGHT 9 g SHEET 1/1

**NOTE: The typical divergence will be changed by different color, chip size and chip position tolerance. The typical total divergence is the full angle measured where the luminous intensity is half of the peak value.**