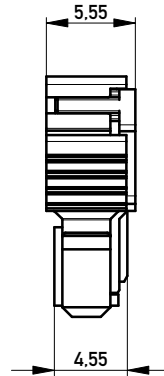
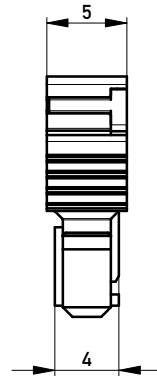


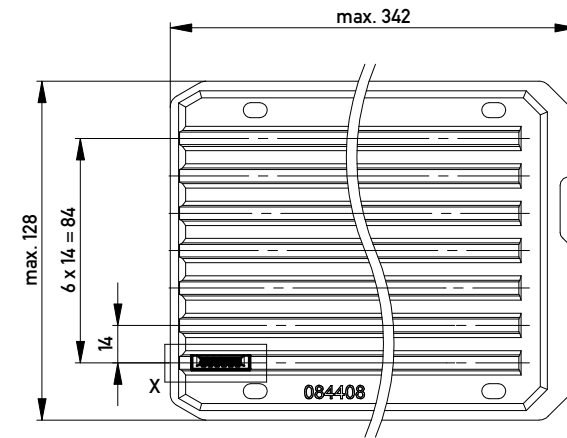
Abdeckung vorverrastet
cover loose mounted



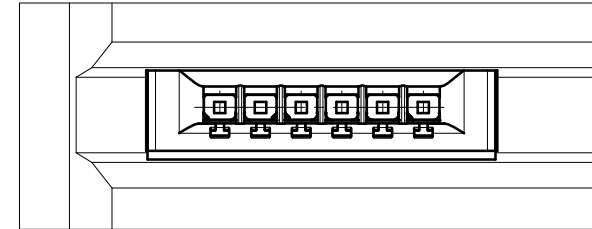
Abdeckung verpresst
cover pressed on



Verpackt in Tray - tray packaging
Verpackungseinheit 98 Stück - packaging unit 98



Einzelheit X
detail X



Copyright by ERNI GmbH
Proprietary notice pursuant to ISO 16018 to be observed.

Information: Codierung, rot - Coding, red		Tolerances		Scale	3:1
All rights reserved. Only for Information. To ensure that this is the latest version of this drawing, please contact one of the ERNI companies before using.		Subject to modification without prior notice. Drawing will not be updated.		Designation F 2,54 SRC-A, 6-polig BA 2	
		www.ERNI.com		103502000001	
c	14.05.2014			K	
Index	Date			A3	
				Class	SRCBUG