

## 155.52-MHz Timing Filter for Optical Communication For Industrial Use

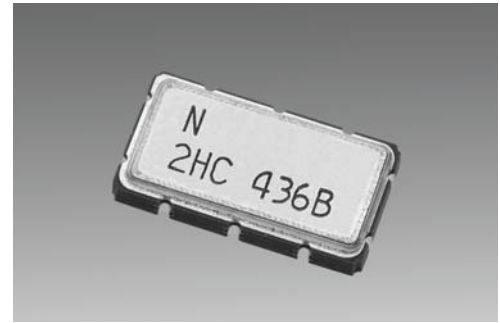
### ■ Features

A timing filter for optical communication is used for clock extraction in optical fiber communication.

- High stability.
- Compact (9.1 x 4.8 x 1.5 mm).

Pb Free

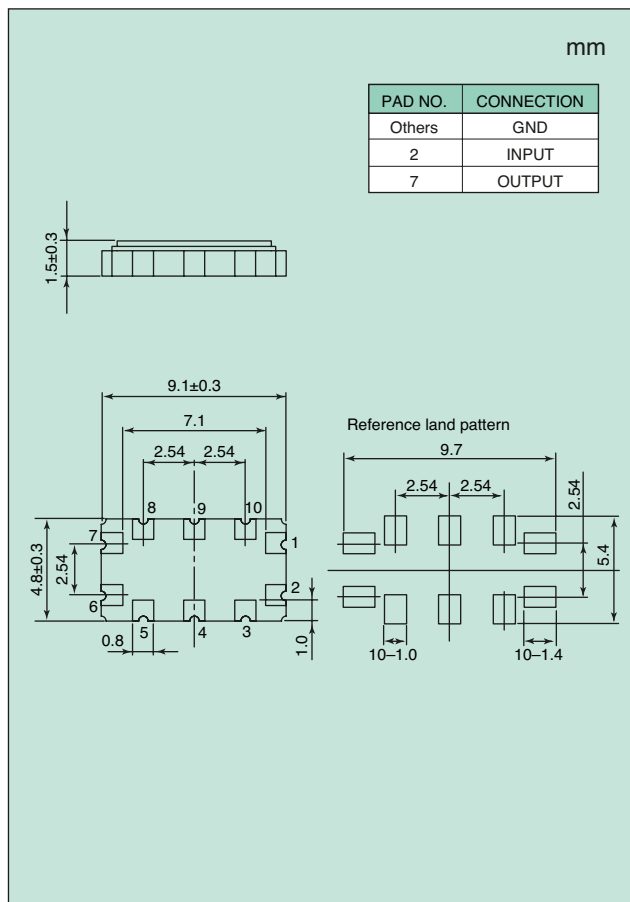
RoHS Compliant  
Directive 2002/95/EC



### ■ Specifications

Model		WF436B		
Item		min.	typ.	max.
Nominal frequency 3dB (MHz)		155.50	155.52	155.54
Q value 3dB		600	900	1100
Minimal loss (dB)		–	8.5	10.0
Guaranteed attenuation (dB)	4.5 to 152.00MHz	30	40	–
	159.00 to 300MHz	30	40	–
Operating temperature range (°C)		0 to +70		
Terminating impedance (Ω)		50		

### ■ Dimensions



### ■ Characteristics

