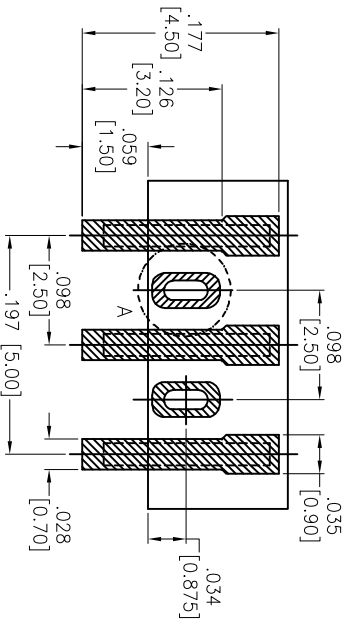
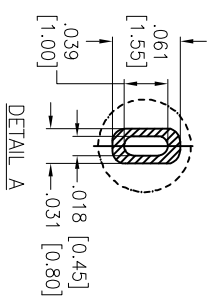
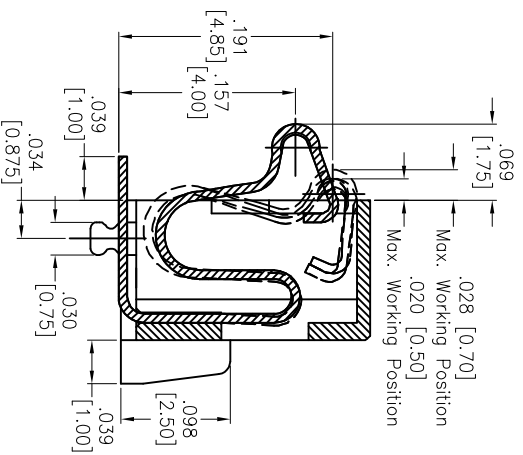
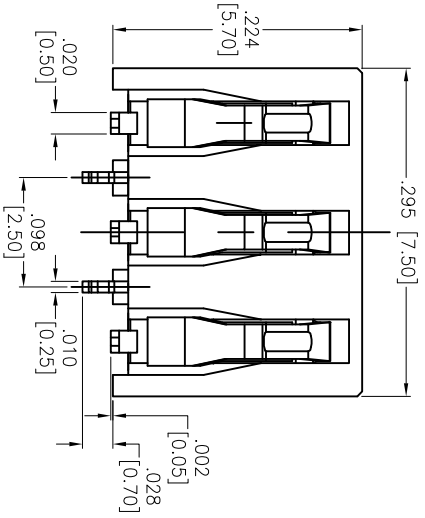
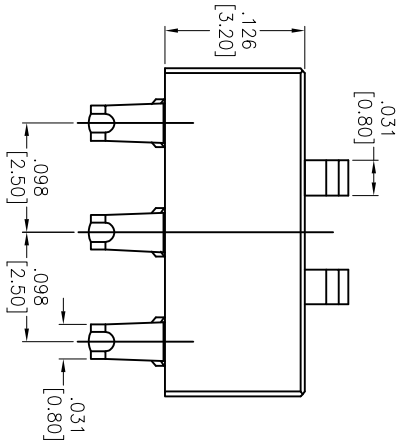


Rev	AWO #	Description	Date	Appr
-		RELEASED	04/18/13	

APPROVED: _____

DATE: _____ TITLE: _____



PACKAGED ON TAPE & REEL

UNLESS OTHERWISE SPECIFIED
ALL DIMENSIONS ARE INCHES [MM]
TOLERANCES: EXCEPT AS NOTED
INCHES ± .10
.XX ± .020
.XXX ± .015
HOLE ± .10
ØXXX ± .015
DATE

ADAM TECH
909 Rahway Avenue, Union, NJ 07083
Phone: 908-687-5000 Fax: 908-687-5710

TITLE: MOBILE BATTERY CONNECTOR, 3 PINS
PART NO.: MBC-P-03-T/R
SIZE: X
SCALE: NTS
SHEET 1 OF 1

SPECIFICATION:
Material: Insulator: Hi-Temp Thermoplastic, Rated UL-94V-0
Insulator color: Black
Contacts: Copper Alloy
Post: Brass, Tin plated
Contact Plating: Gold flash over Nickel underplate overall,
Electrical: Operating voltage: 15V DC max
Current rating: 2 AMP
Contact resistance: 30 Mohms max
Insulation resistance: 1,000 Mohms min
Dielectric withstanding voltage: 500V DC / minute
Temperature Rating: Operating temperature range: -40°C to +85°C
Environmental: Lead free, RoHS compliant.



APPROVALS	DATE
DRAWN TW	04/18/13
CHECKED GC	04/18/13
APPROVED	

REV.	DATE
X	04/18/13