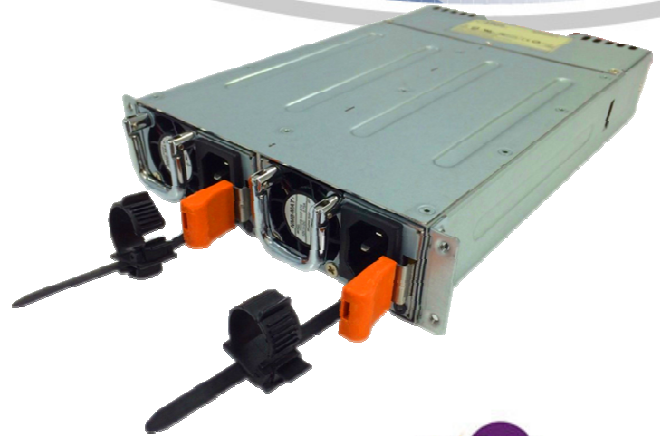


# EFRP-P280AH

## 800W CRPS 1U Redundant Power Supply

### Features:

- 80PLUS® Platinum Level High Efficiency
- Standard N+1 CRPS Redundant Design
- 800W with +12V and +5VSB Output
- PMBus 1.2 Support
- 0~50°C Working Temperature
- Cold Redundancy Support



### General Specification

- Support universal AC or DC 240Vac input (Dual mode)
- Efficiency : 94% @230V Input(Power Module)
- Cold Redundancy / Digital load sharing control (Optional)
- Input Range: 100 to 240 VAC, +/-10%
- Support 5VSB (12VSB Optional)
- Short Circuit Protection
- Over Current Protection
- Over Voltage Protection
- Over Temperature Protection
- Support hot swap
- Inrush current limiter
- Brown in / Brown out
- EMI/RFI: CE, FCC class A
- Safety: UL, TUV, CCC, CB, CE, FCC



### Input and Output Characteristics

Input			Output						
Voltage	Frequency	Current	Load	+3.3V	+5V	+12V	-12V	-5V	+5VSB
100~240 VAC	47~63Hz	10~4A	Max.Load	25A	25A	66A	0.5A		3A
			Min.Load	0A	0A	0.5A	0A		0A

- Note:**
1. +3.3V and +5V combined output shall not exceed 150W.
  2. Total output shall not exceed 800W.

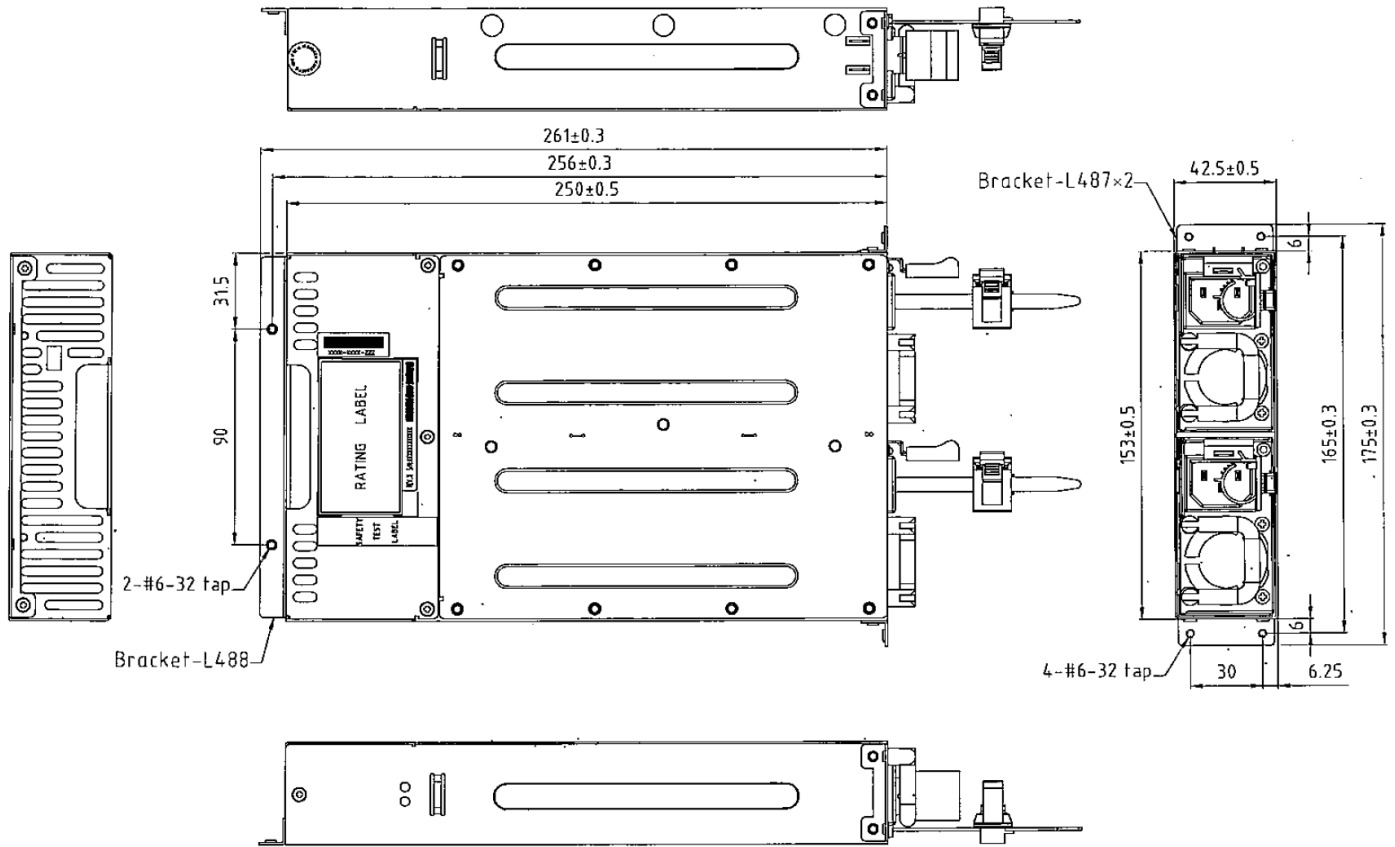
### Ripple and Noise

Output	+3.3V	+5V	+12V	-12V	5Vsb
Load Regulation	±5%	± 5%	± 5%	± 5%	± 5%
Line Regulation	± 1%	± 1%	± 1%	± 1%	± 1%
Ripple & Noise	60mV	60mV	120mV	120mV	60mV

## Mechanical

Outline Dimension: 153 x 83.8 x 250(mm)

## Outline Drawing



©ETASIS Electronic Corporation. All rights reserved. ETASIS Electronics Corporation reserves the right to make changes to their products, specification, or to discontinue any product and its service at anytime without notice. The information and specification from ETASIS is believed to be accurate and reliable. However, ETASIS assumes no responsibility for any business loss due to specification changes. ETASIS products are not designed to be used in system deemed to be critical, or in any system wherein failure or malfunction could result in injury or death.