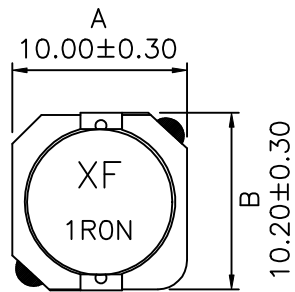
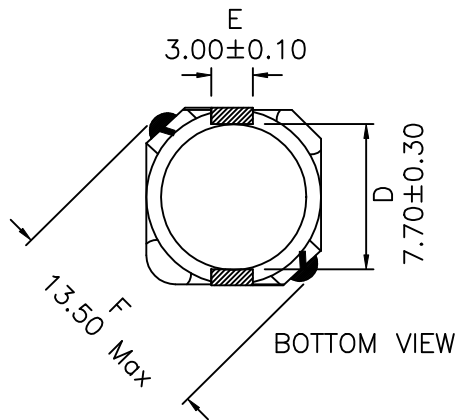
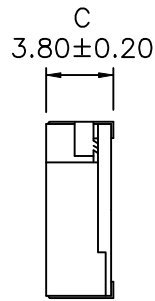


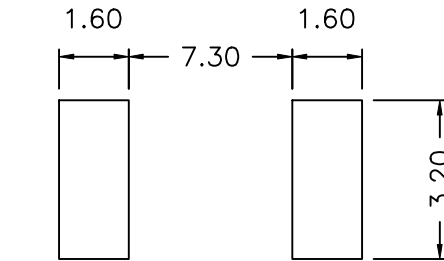
1. Mechanical Dimensions:



TOP VIEW

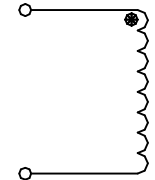


BOTTOM VIEW



(SUGGESTED MOUNTING PAD)

2. Schematic:



3. Electrical Specification:

OCL: 1.0uH±30% @100KHz 0.1V

ISat: 13.6Adc (Based on 10% OCL Drop)

IRated: 9.7Arms (Based on 30°C Temp Rise)

DCR: 0.0059 Ohms Max

Notes:

1. Solderability: Leads shall meet MIL-STD-202, Method 208D for solderability.
2. Flammability: UL94V-0
3. ASTM oxygen index: > 28%
4. Insulation System: Class F 155°C. UL file E151556
5. Operating Temperature Range: -40°C to +85°C
6. Storage Temperature Range: -55°C to +125°C
7. Aqueous wash compatible

DOC. REV: A/1

XFMRs Inc. UNLESS OTHERWISE SPECIFIED TOLERANCES: N/A Dimensions in MM	Title: HIGH CURRENT SELF-LEADED SMT INDUCTORS		
	P/N: XFTPRH104-1R0N	REV. A	
	DWN.	李小锋	Jun-27-02
	CHK.	廖玉坤	Jun-27-02
	APP.	BW	Jun-27-02