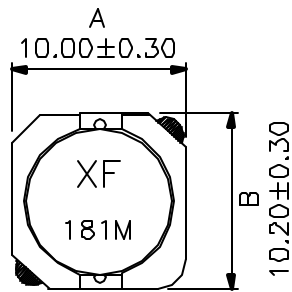
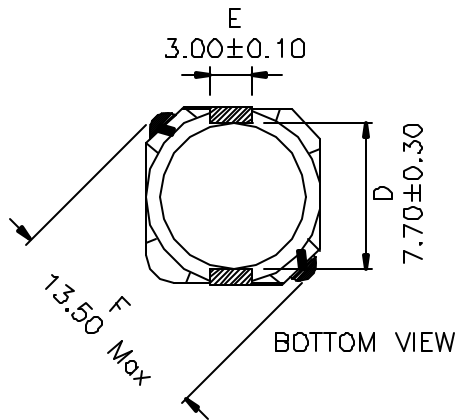
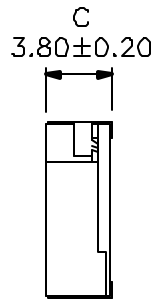


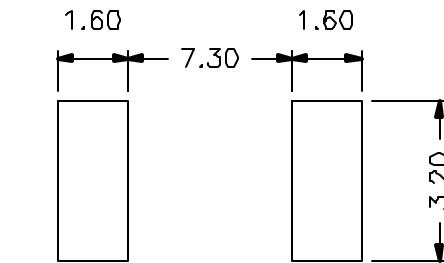
1. Mechanical Dimensions:



TOP VIEW

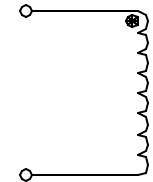


BOTTOM VIEW



(SUGGESTED MOUNTING PAD)

2. Schematic:



3. Electrical Specification:

OCL: 180uH±20% @100KHz, 0.1V

OCL: 129.6uH Min @100KHz, 0.1V, 0.57Adc

DCR: 0.840 Ohms Max

Notes:

- 1 Solderability: Leads shall meet MIL-STD-202, Method 208D for solderability
2. Flammability: UL94V-0
3. ASTM oxygen index > 28%
4. Insulation System: Class F 155°C, UL file E151558
5. Operating Temperature Range, -40°C to +85°C
6. Storage Temperature Range, -55°C to +125°C
- 7 Aqueous wash compatible

DOC. REV: A/1

XFMRs Inc. UNLESS OTHERWISE SPECIFIED TOLERANCES: N/A Dimensions in MM	Title: HIGH CURRENT SELF-LEADED SMT INDUCTORS		
	P/N: XFTPRH104-181M	REV. A	
	DWN.	李小锋	Jan-24-02
	CHK.	廖玉坤	Jan-24-02
	APP.	BW	Jan-24-02