


# DP6-OC

industrial relays

# DURAKOOL



- Relays **DP6-OC** - with transistor output, rated load up to 0.5 A / 70 V DC
- 35 mm DIN rail mount, EN 50022, wires connection with screw terminals - 0.2...4 mm<sup>2</sup>
- Adapted for the co-operation with interconnection strip type **ZG20**
- Equipped in LED green
- Recognitions, certificates, directives: 



## Transistor - output

Max. switching voltage	DC	70 V
Min. switching voltage	DC	5 V
Rated load	DC1	0.5 A / 70 V DC
Min. switching current		1 mA

## Input control circuit

Rated voltage	DC	5...32 V	
	AC/DC	24-230 V AC: 50/60 Hz	
Turn-off voltage		AC: $\geq 0.2 U_n$ DC: $\geq 0.1 U_n$	
Rated power consumption		0.3 W	5...32 V DC at 24 V
		0.3 VA / 0.3 W	24 V AC/DC
		1.0 VA / 1.0 W	230 V AC/DC

## Insulation

Insulation category	C250
Insulation rated voltage	600 V AC
Rated insulation voltage I/O	3 000 V AC
Insulation pollution degree	2

## General data

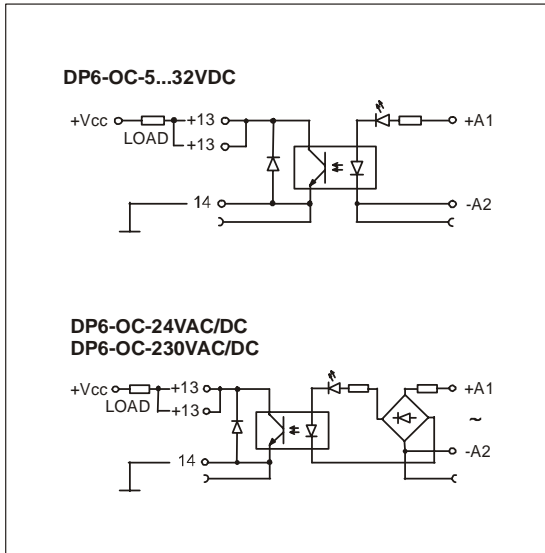
Max. switching frequency	10 kHz	5...32 V DC (for load up to 24 V DC - 15 KHz)
	----	24 V AC/DC
	----	230 V AC/DC
Dimensions (L x W x H)	80 x 6.2 x 93.8 mm	
Weight	40 g	
Ambient temperature		
• storage	-40...+70 °C	
• operating	-40...+55 °C	
Protection category	IP 20	
Environmental protection	RTI IEC 61810-7	

### Input data

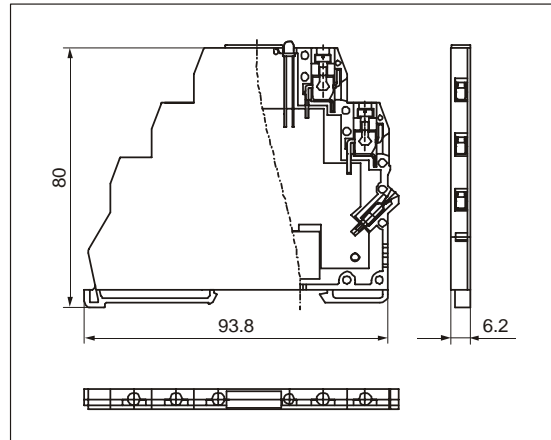
Table 1

Relay code	Nominal input voltage $U_n$	Power of input - control circuit
DP6-OC-5...32VDC	5...32 V DC	0.3 W at 24 V
DP6-OC-24VAC/DC	24 V AC/DC	0.3 VA / 0.3 W
DP6-OC-230VAC/DC	230 V AC/DC	1.0 VA / 1.0 W

### Connection diagrams



### Dimensions



### Mounting

Relays **DP6-OC** are designed for 35 mm DIN rail mount, EN 50022.

**DP6-OC** are adapted for the co-operation with interconnection strip type **DG20**. Interconnection strip **DG20** allows to common bridging outputs or inputs. Colours of strips: **DG20-1** red, **DG20-2** black, **DG20-3** blue.

### Ordering codes

Ordering codes **DP6-OC** are specified in Table 1, "Relay code" column.

