

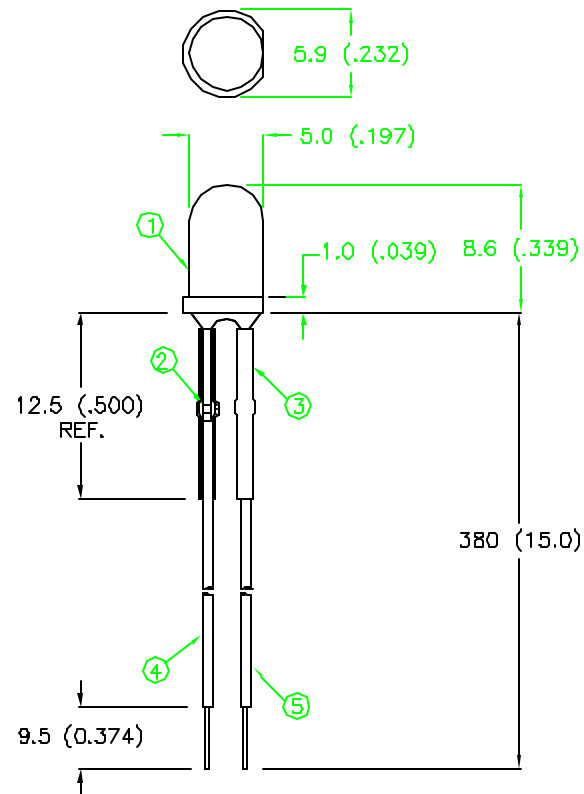
DATE

REVISIONS

REV

DRAWING NUMBER  
SSI-LX5093YD-380

REV



## NOTES:

1. SSL-LX5093YD LED. TRIM LEADS TO 5mm.
2. CRIMP LEAD WIRES TO LED LEADS (2 PLS).
3. HEAT SHRINK INSULATION (LXP-HEATSHRINK-2) 12.5mm IN LENGTH (2 PLS).
4. ANODE: LXP-WST24RDT0C, RED, (TINNED OVERCOAT WIRE), CUT AT 383mm, STRIP 4mm & 9.5mm.
5. CATHODE: LXP-WST24BLT0C, BLACK, (TINNED OVERCOAT WIRE), CUT AT 383mm, STRIP 4mm & 9.5mm.

ELECTRO-OPTICAL CHARACTERISTICS  $T_A=25^{\circ}\text{C}$   $I_f=20\text{mA}$ 

PARAMETER	MIN	TYP	MAX	UNITS	TEST COND
PEAK WAVELENGTH		585 (YELLOW)		nm	
FORWARD VOLTAGE		2.0	2.8	$V_f$	
REVERSE VOLTAGE	5.0			$V_r$	$I_f=100\mu\text{A}$
AXIAL INTENSITY		20.0		mcd	$I_f=20\text{mA}$
VIEWING ANGLE		80		2x theta	
EMITTED COLOR		YELLOW			
EPOXY LENS FINISH		YELLOW DIFFUSED			

## LIMITS OF SAFE OPERATION AT 25°C

PARAMETER	MAX	UNITS
PEAK FORWARD CURRENT*	150	mA
STEADY CURRENT	30	mA
POWER DISSIPATION	105	mW
DERATE FROM 25°C	-1.2	mW/°C
OPERATING, STORAGE TEMP	-40 TO +85	°C
LEAD SOLDERING TEMP	+260	°C
		3 SEC. MAX

\*  $t < 10\mu\text{s}$ 

## RELIABILITY NOTE

OUR MANY YEARS OF EXPERIENCE DATA ACCUMULATION INDICATE THAT SOLDER HEAT IS A MAJOR CAUSE OF EARLY AND FUTURE FAILURE. PLEASE PAY ATTENTION TO YOUR SOLDERING PROCESS.

**LUMEX**  
OPTO COMPONENTS INC.

292 E. HELLEN ROAD  
PALATINE, ILLINOIS 60067  
(708) 359-2790

CONFIDENTIAL INFORMATION  
THE INFORMATION CONTAINED IN THIS DOCUMENT IS THE PROPERTY OF LUMEX OPTO/COMPONENTS, INC. EXCEPT AS SPECIFICALLY AUTHORIZED IN WRITING BY LUMEX OPTO/COMPONENTS, INC., THE HOLDER OF THIS DOCUMENT SHALL KEEP ALL INFORMATION CONTAINED HEREIN CONFIDENTIAL AND SHALL PROTECT SAME IN WHOLE OR IN PART FROM DISCLOSURE AND DISSEMINATION TO ALL THIRD PARTIES.

DATE: 7-1-96	DWN:	CHK'D:	APPD:
SCALE: N/A			

T-5 (T 1-3/4) LED, YELLOW DIFFUSED  
15.0 WIRE LEADS

PAGE 1 OF 1

DRAWING NUMBER  
SSI-LX5093YD-380

REV