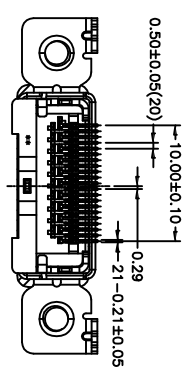
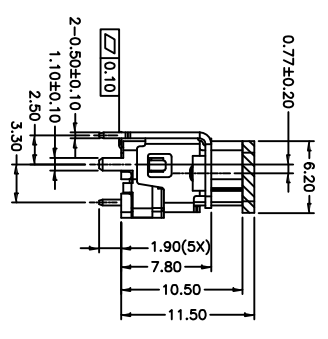
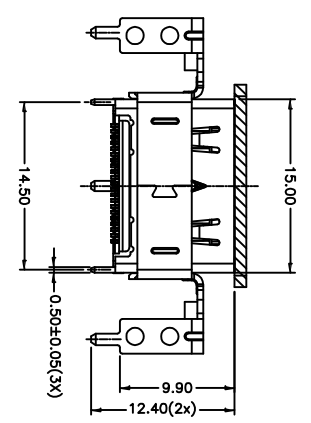
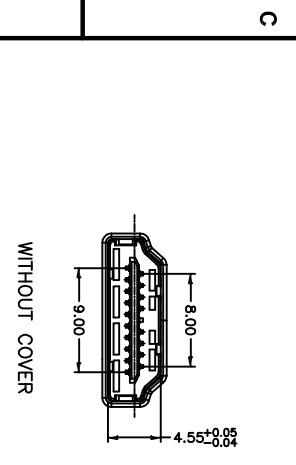
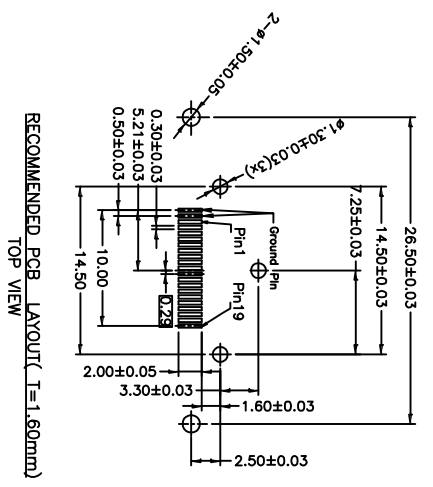
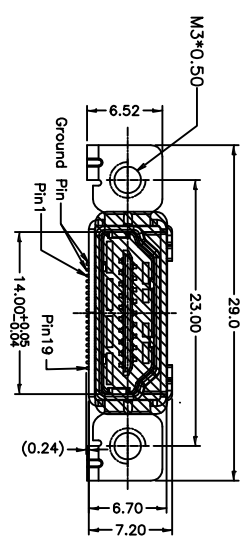
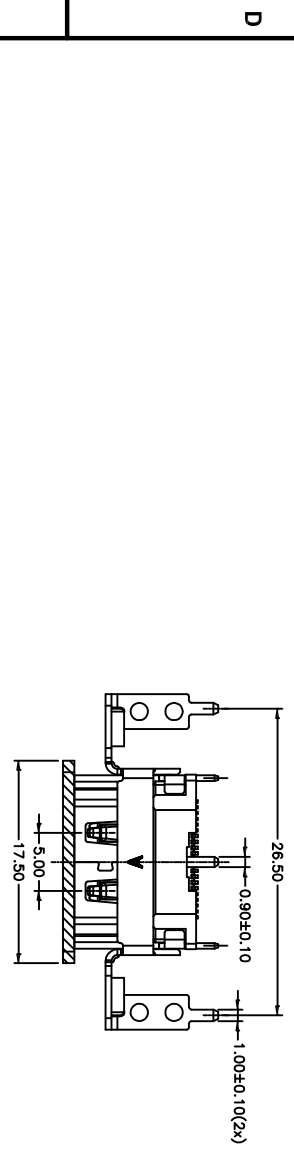


Rev	AWO #	Description	Date	Appr
-		RELEASED	6/08/10	

APPROVED: \_\_\_\_\_  
 DATE: \_\_\_\_\_ TITLE: \_\_\_\_\_



PACKAGED ON TAPE & REEL

**SPECIFICATIONS:**

**Material:** Housing: Hi-temp thermoplastic, UL 94V-0

**Housing color:** Black

**Contact:** Copper Alloy

**Shield:** Copper Alloy, Nickel plated

**Plating:** 15u" Gold over Nickel underplate on contact area, Tin over Copper underplate on tails.

**Electrical:** Voltage rating: 40V

**Current rating:** 0.5A

**Dielectric strength:** 300VAC for 1 minute min.

**Contact resistance:** 100 Megohm min.

**Insulation resistance:** 10 mohms max.

**Environmental:** Lead free, RoHS Compliant

**Recommended soldering temp:** 260°C for 5 seconds.



UNLESS OTHERWISE SPECIFIED ALL DIMENSIONS ARE MM TOLERANCES: EXCEPT AS NOTED	
INCHES	HOLES
.X ± .10	ØX ± .10
.XX ± .020	ØXX ± .015
.XXX ± .015	ØXXX ± .010
APPROVALS	DATE
DRAWN	DY
CHECKED	
APPROVED	

**ADAM TECH**  
 909 Rahway Avenue, Union, NJ 07083  
 Phone: 908-687-5000 Fax: 908-687-5710

**HDMI CONNECTOR, VERTICAL, SMT**

SIZE	PART NO.	REV.
X	HDMI-S-V-02-SMT-MF-15-KT-T/R	-
REF:	S00015C	SCALE: NTS
SHEET 1	OF 1	