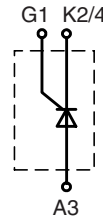


# Single Thyristor Module

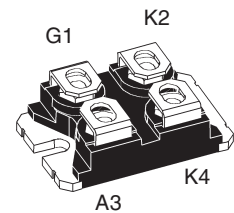
$I_{TRMS} = 49 \text{ A}$   
 $V_{RRM} = 1200-1600 \text{ V}$   
 $I_{TAV} = 31 \text{ A}$

Preliminary data

$V_{RSM}$ $V_{DSM}$ V	$V_{RRM}$ $V_{DRM}$ V	Type
1200	1200	MCO 25-12io1
1600	1600	MCO 25-16io1



miniBLOC, SOT-227 B



Symbol	Conditions	Maximum Ratings	
$I_{TRMS}$	$T_{VJ} = T_{VJM}$	49	A
$I_{TAV}$	$T_C = 80^\circ\text{C}; (180^\circ \text{ sine})$	31	A
$I_{TSM}$	$T_{VJ} = 45^\circ\text{C};$ $V_R = 0$	$t = 10 \text{ ms (50 Hz), sine}$	370 A
		$t = 8.3 \text{ ms (60 Hz), sine}$	400 A
$I^2t$	$T_{VJ} = 45^\circ\text{C}$ $V_R = 0$	$t = 10 \text{ ms (50 Hz), sine}$	320 A
		$t = 8.3 \text{ ms (60 Hz), sine}$	340 A
$(di/dt)_{cr}$	$T_{VJ} = T_{VJM}$ $f = 50 \text{ Hz}, t_p = 200 \mu\text{s}$ $V_D = \frac{2}{3} V_{DRM}$ $I_G = 0.2 \text{ A}$ $di_G/dt = 0.2 \text{ A}/\mu\text{s}$	repetitive, $I_T = 40 \text{ A}$	150 A/ $\mu\text{s}$
		non repetitive, $I_T = I_{TAVM}$	500 A/ $\mu\text{s}$
$(dv/dt)_{cr}$	$T_{VJ} = T_{VJM};$ $R_{GK} = \infty;$ method 1 (linear voltage rise)	$V_{DR} = \frac{2}{3} V_{DRM}$	1000 V/ $\mu\text{s}$
$P_{GM}$	$T_{VJ} = T_{VJM}$ $I_T = I_{TAVM}$	$t_p = 30 \mu\text{s}$	10 W
		$t_p = 300 \mu\text{s}$	5 W
$P_{GAVM}$			0.5 W
$V_{RGM}$			10 V
$T_{VJ}$		-40...+150	$^\circ\text{C}$
$T_{VJM}$		150	$^\circ\text{C}$
$T_{stg}$		-40...+150	$^\circ\text{C}$
$V_{ISOL}$	50/60 Hz, RMS; $I_{ISOL} \leq 1 \text{ mA}$	2500	V~
$M_d$	Mounting torque (M4)	1.1 - 1.5 / 9 - 13	Nm/lb.in.
	Terminal connection torque (M4)	1.1 - 1.5 / 9 - 13	Nm/lb.in.
Weight	typ.	30	g

## Features

- International standard package miniBLOC (ISOTOP compatible)
- Isolation voltage 2500 V~
- Planar passivated chips

## Applications

- Solid state switches
- motor control
- soft starter
- light and temperature control

## Advantages

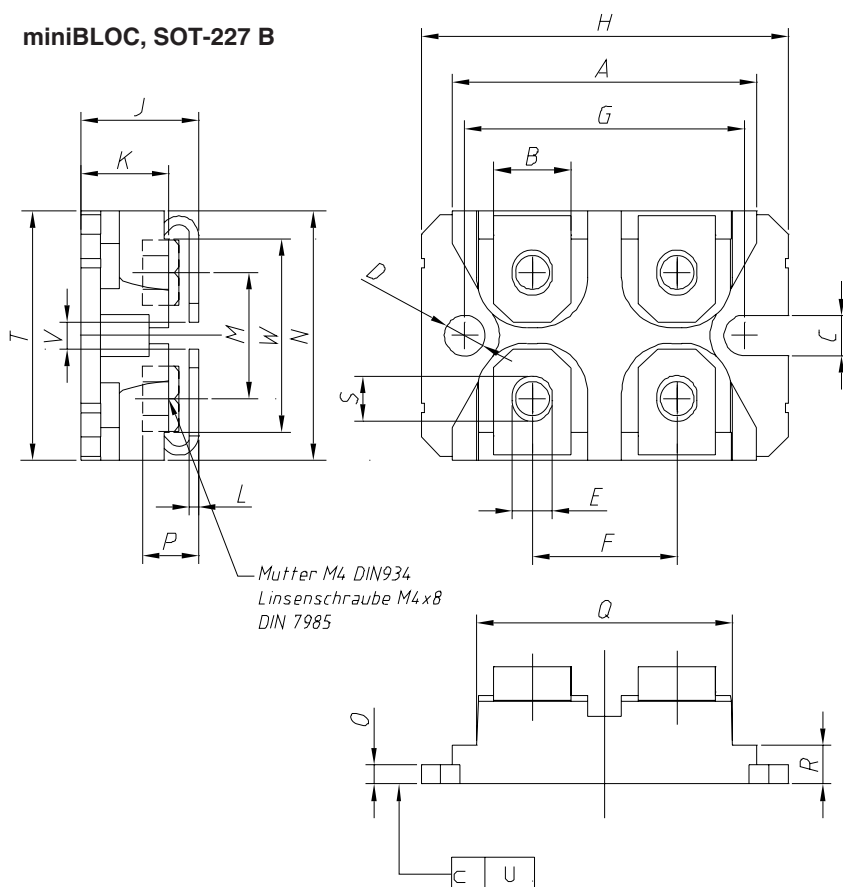
- Easy to mount with two screws
- Space and weight savings
- Improved temperature and power cycling
- High power density

Data according to IEC 60747 and to a single thyristor/diode unless otherwise stated.

IXYS reserves the right to change limits, Conditions and dimensions.

© 2006 IXYS All rights reserved

Symbol	Conditions	Characteristic Values	
$I_{RRM/DRM}$	$T_{VJ} = 125^{\circ}\text{C}; V_R = V_{RRM}; V_D = V_{DRM}$	$\leq$	2 mA
$V_T$	$I_T = 25; T_{VJ} = 25^{\circ}\text{C}$	$\leq$	1.25 V
$V_{T0}$	For power-loss calculations only		0.85 V
$r_T$			14 m $\Omega$
$V_{GT}$	$V_D = 6\text{ V}; T_{VJ} = 25^{\circ}\text{C}$	$\leq$	1.5 V
	$T_{VJ} = -40^{\circ}\text{C}$	$\leq$	1.2 V
$I_{GT}$	$V_D = 6\text{ V}; T_{VJ} = 25^{\circ}\text{C}$	$\leq$	55 mA
	$T_{VJ} = -40^{\circ}\text{C}$	$\leq$	80 mA
$V_{GD}$	$T_{VJ} = T_{VJM}; V_D = \frac{2}{3} V_{DRM}$	$\leq$	0.2 V
$I_{GD}$		$\leq$	5 mA
$I_L$	$T_{VJ} = 25^{\circ}\text{C}; t_p = 10\ \mu\text{s}$ $I_G = 0.2\text{ A}; di_G/dt = 0.2\text{ A}/\mu\text{s}$	$\leq$	450 mA
$I_H$	$T_{VJ} = 25^{\circ}\text{C}; V_D = 6\text{ V}; R_{GK} = \infty$	$\leq$	100 mA
$t_{gd}$	$T_{VJ} = 25^{\circ}\text{C}; V_D = \frac{1}{2} V_{DRM}$ $I_G = 0.2\text{ A}; di_G/dt = 0.2\text{ A}/\mu\text{s}$	$\leq$	2 $\mu\text{s}$
$t_q$	$T_{VJ} = T_{VJM}; I_T = 11\text{ A}, t_p = 200\ \mu\text{s}; di/dt = -10\text{ A}/\mu\text{s}$ $V_R = 100\text{ V}; dv/dt = 15\text{ V}/\mu\text{s}; V_D = \frac{2}{3} V_{DRM}$	typ.	150 $\mu\text{s}$
$R_{thJC}$	DC current		1.1 K/W
$R_{thCH}$	DC current	typ.	0.5 K/W
$d_s$	Creeping distance on surface		8 mm
$d_A$	Creepage distance in air		4 mm
$a$	Max. allowable acceleration		50 m/s <sup>2</sup>

**miniBLOC, SOT-227 B**


M4 screws (4x) supplied

Dim.	Millimeter		Inches	
	Min.	Max.	Min.	Max.
A	31.50	31.88	1.240	1.255
B	7.80	8.20	0.307	0.323
C	4.09	4.29	0.161	0.169
D	4.09	4.29	0.161	0.169
E	4.09	4.29	0.161	0.169
F	14.91	15.11	0.587	0.595
G	30.12	30.30	1.186	1.193
H	37.80	38.23	1.489	1.505
J	11.68	12.22	0.460	0.481
K	8.92	9.60	0.351	0.378
L	0.76	0.84	0.030	0.033
M	12.60	12.85	0.496	0.506
N	25.15	25.42	0.990	1.001
O	1.98	2.13	0.078	0.084
P	4.95	5.97	0.195	0.235
Q	26.54	26.90	1.045	1.059
R	3.94	4.42	0.155	0.174
S	4.72	4.85	0.186	0.191
T	24.59	25.07	0.968	0.987
U	-0.05	0.1	-0.002	0.004
V	3.30	4.57	0.130	0.180
W	0.780	0.830	0.031	0.032

IXYS reserves the right to change limits, Conditions and dimensions.