

REVISION RECORD		
REV	DESCRIPTION	DRFT

NOTES :

MATERIAL

- 1.PLASTIC: NYLON UL 94V-0 COLOR:BLACK
- 2.COVER: STAINLESS STEEL
PLATING: UNDERPLATING ALL OVER CU 20u"Min, PLATING NICKEL 50-120u"
- 3.TERMINAL: PHOSPHOR BRONZE T=0.2±0.01mm;
PLATING GOLD 3u"ALL OVER
UNDERPLATING ALL OVER NICKEL 50u" Min.

ELECTRICAL CHARACTERISTICS

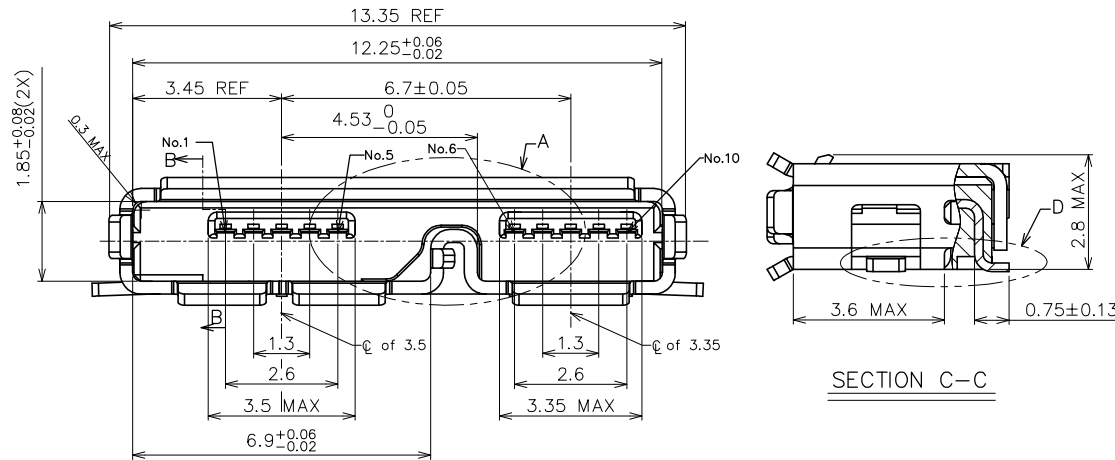
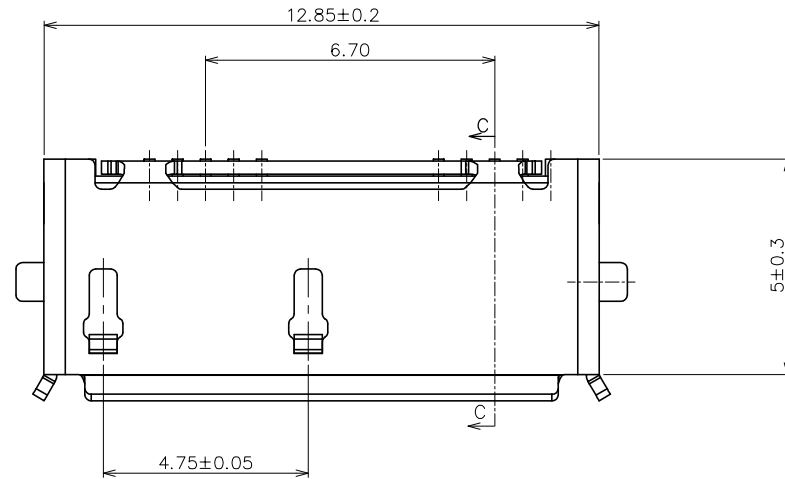
- 1.CURRENT RATING: 1.8A
- 2.CONTACT RESISTANCE: 30mΩMAX.
- 3.DIELECTRICAL WITHSTANDING: 100V AC/1min.
- 4.INSULATION RESISTANCE: 100MΩMin.

MECHANICAL CHARACTERISTICS

- 1.MATING FORCE: 3.57Kgf MAX(35N MAX).
- 2.UNMATING FORCE: 0.8Kgf Min(8N Min).
- 3.DURABILITY: 10000 CYCLES .

OTHERS:

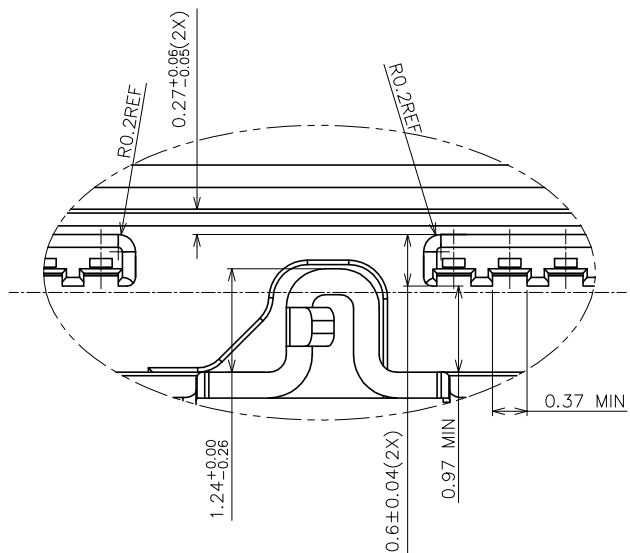
- 1.OPERATION TEMPERATURE: -20°cto+80°c



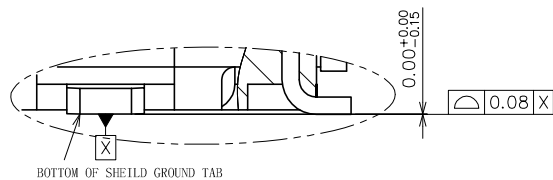
SECTION C-C

DETACHED JIS	MM (INCH)	DFTO Roy	DATE 11/20/2012		RoHS Compliant		
	TOLERANCES EXCEPT AS NOTED	CHKD	DATE				
	MM .00 ± 0.38 .00 ± 0.30 .00 ± 0.13 .000 ± 0.05	±	APPLV	DATE	TITLE USB 3.0 MICRO-AB RECEPTACLE		
	ANGLES ± 2°	±	MATERIAL :				
	THIRD ANGLE PROJECTION	THIRD ANGLE PROJECTION	QTY :	FINISH :	DRAWING NO. E8110-001-01		SIZE A3
		SCALE : 1:1		/PART NO. E8110-001-01		DO NOT SCALE DRAWING	
						SHEET 1	OF 2

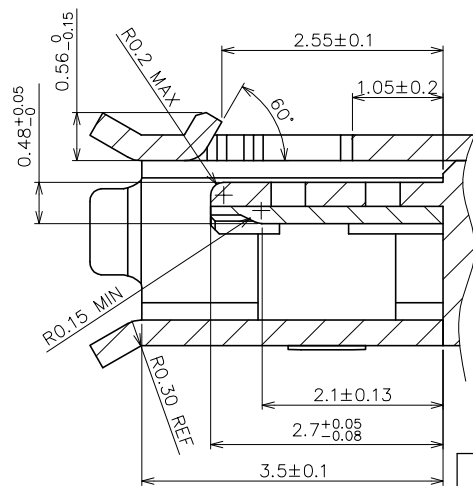
REVISION RECORD		
REV	DESCRIPTION	DRFT



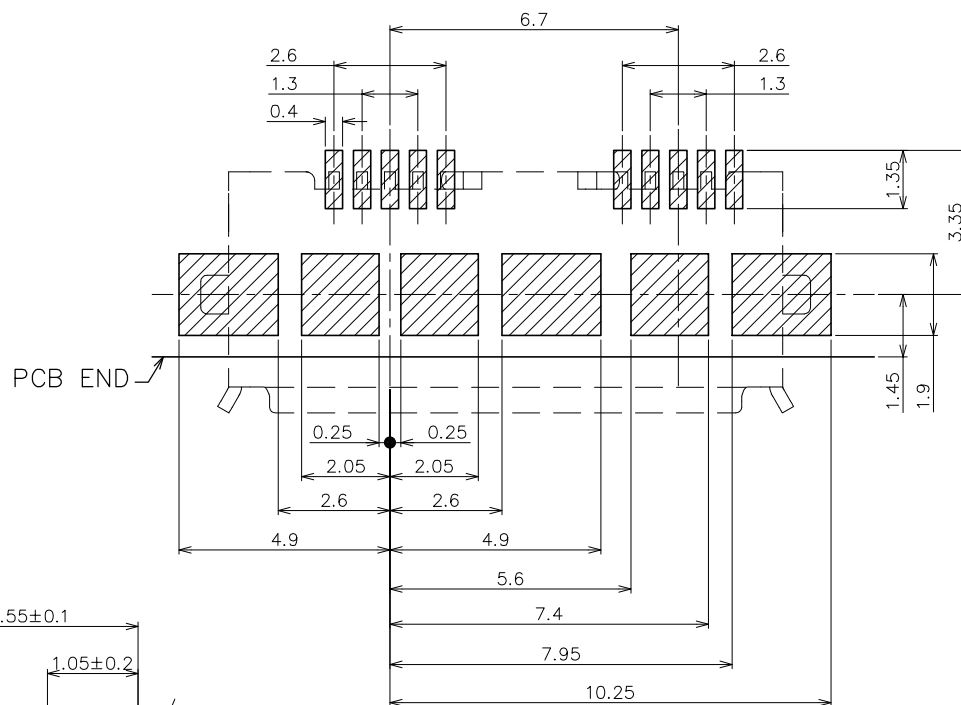
DETAIL A
SCALE 2:1



DETAIL D
SCALE 2:1



SECTION B-B
SCALE 2:1



RECOMMENDED PCB LAYOUT
TOP VIEW (TOLERANCE: ±0.05)

DETACHED LISTS	MM (INCH) TOLERANCES EXCEPT AS NOTED MM ± 0.38 .0 ± 0.30 ± .00 ± 0.13 ± .000 ± 0.05 ±		DFTO Roy	DATE 11/20/2012		RoHS Compliant		
			CHKD	DATE				
	ANGLES ± 2° 		APPVL	DATE	TITLE			
	THIRD ANGLE PROJECTION		MATERIAL:		USB 3.0 MICRO-AB RECEPTACLE			
		QTY:		DRAWING NO. E8110-001-01		SIZE A3	REV 01	
		FINISH:		/PART NO. E8110-001-01				
		SCALE: 1:1		DO NOT SCALE DRAWING		SHEET 2 OF 2		

H
G
F
E
D
C
B
A