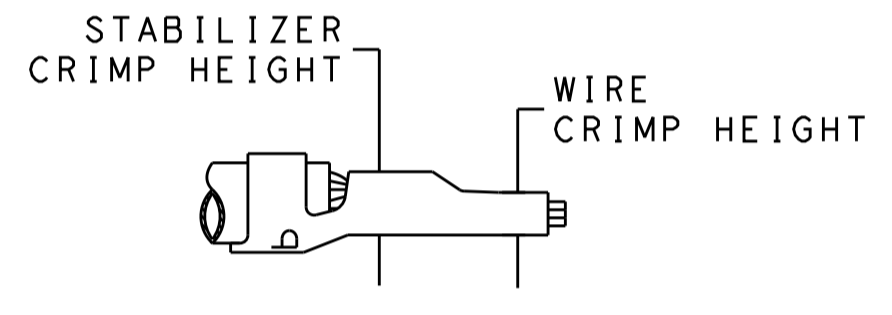


ATLANTIC VERSION TERMINATOR INTERFACE ADAPTER	PART NUMBER	REVISION	DESCRIPTION	FEED TYPE	APPLICATOR STYLE CONVERSION CHART						
					CONVERT TO	PART NUMBERS REQUIRED					
	2266321-1	B	FINE CRIMP HEIGHT ADJUST	MECHANICAL	PNEUMATIC FEED	2119950-1	1338685-1	5-18022-5	2119641-1	2119799-1	2063440-1
	2266321-2	B	FINE CRIMP HEIGHT ADJUST	PNEUMATIC	SERVO LATCH PLATE	2119951-1	-	8-2266321-5	1901094-3	-	2168400-6 (QUANTITY 2)
					SMART APPLICATOR	2161326-1	-	8-2266321-4	-	-	
					MECHANICAL FEED	2119949-1	1338685-1	5-18022-5	2119653-1	-	-
	2266321-5	B	FINE CRIMP HEIGHT ADJUST	SERVO LATCH PLATE	SERVO LATCH PLATE	2119951-1	-	8-2266321-5	1901094-3	-	2168400-6 (QUANTITY 2)
					SMART APPLICATOR	2161326-1	-	8-2266321-4	-	-	
	2266321-6	B	NON-CRIMP HEIGHT ADJUST	SERVO LATCH PLATE	MECHANICAL FEED	2119949-1	1338685-1	5-18022-5	2119653-1	-	-
2266321-7	B	FINE CRIMP HEIGHT ADJUST	NONE	PNEUMATIC FEED	2119950-1	1338685-1	5-18022-5	2119641-1	2119799-1	2063440-1	
7-2266321-*	-	SEE CRIMP TOOLING KITS BELOW	-	-	-	-	-	-	-	-	

APPLICATOR DATA		
CRIMP	SIZE	TYPE
WIRE	1.07 mm [.042]	F
STABILIZER	1.07 mm [.042]	F
INSULATION	2.79 mm [1.10]	F

PART NO	REV	WIRE SIZE	WIRE CRIMPER	STABILIZER CRIMPER	INSULATION CRIMPER	ANVIL
7-2266321-7	B	22 AWG	9-1633609-5	4-456401-4	2-2119582-1	1633916-6
7-2266321-8	B	24-26 AWG	9-1633609-4	4-456401-4	2-2119582-1	1633916-6

TERMINAL DATA: TE TERMINAL		TE CRIMP SPECIFICATION	
TERMINAL NAME: MINI AMP-IN TERMINAL			
WIRE STRIP LENGTH 4.45-5.21 mm [1.75-.205 IN]		INSULATION DIAMETER RANGE Ø1.02-2.54 mm [.040-.100 IN]	
TERMINAL APPLICATION SPECIFICATION 114-1016			
TERMINALS APPLIED			
TE TERMINAL	TE TERMINAL	TE TERMINAL	TE TERMINAL
3-640401-1			



WIRE SIZE	CRIMP HEIGHT mm [INCH]	STABILIZER CRIMP HEIGHT	CRIMP HEIGHT REFERENCE SETTING
22 AWG	0.89+/-0.05 [0.035+/-0.002]	1.02±0.05 (0.40±.002)	6.7
24-26 AWG	0.74+/-0.05 [0.029+/-0.002]	1.02±0.05 (0.40±.002)	6.5

- 1 RECOMMENDED SPARE PARTS
- 2 GREASE BEARING SURFACES LIGHTLY
- 3. LUBRICATE DAILY PER THE APPLICATOR INSTRUCTION SHEET SUPPLIED WITH THE APPLICATOR.
- 4 APPLICATOR SPECIFIC DATA TO BE ENTERED INTO BLANK MEMORY CHIP AT ASSEMBLY. SEE BELOW FOR PART NUMBER:
MECHANICAL FEED WITH "SMART APPLICATOR" CONVERSION: 8-2266321-4
PNEUMATIC FEED WITH "SMART APPLICATOR" CONVERSION: 8-2266321-4
SERVO FEED WITH "FINE CRIMP HEIGHT ADJUST": 8-2266321-5
SERVO FEED WITH "NON-CRIMP HEIGHT ADJUST": 8-2266321-6
- 5. ADJUSTMENT OF THE STRIPPER MAY BE REQUIRED WHEN MOVING THE APPLICATOR BETWEEN BENCH AND LEADMAKER APPLICATIONS.
- 6 APPLY PART NUMBER 1-23419-5 LOCTITE TO THREADS OF ITEMS 62. APPLY PART NUMBER 2-23419-6 LOCTITE TO THREADS OF ITEMS 242. FOR -6 ONLY APPLY PART NUMBER 1-23419-5 LOCTITE TO THREADS OF ITEM 37.
- 7 GREASE THREADS, GROOVE AND O-RING ON ITEMS 35 & 252.
- 8 MAGNET, ITEM 166 MUST BE ORIENTED CORRECTLY IN ORDER TO PROPERLY ACTUATE THE COUNTER.
- 9 CRIMP HEIGHT REFERENCE SETTING WAS THE SETTING USED WHEN THE APPLICATOR WAS QUALIFIED AT THE FACTORY. ADJUSTMENT MAY BE NECESSARY WHEN RUNNING APPLICATOR IN THE FIELD.
- 10 SPARE FEED CAM STORAGE LOCATION REFER TO INSTRUCTION SHEET FOR ADDITIONAL INFORMATION.
- 11 TO CONVERT THE APPLICATOR TO A NON-CARRIER CUTTING STYLE, REMOVE ITEM 13 AND ATTACH TO THE LOCATION ON THE BACK SIDE OF THE HOUSING. REFER TO INSTRUCTION SHEET FOR ADDITIONAL INFORMATION.
- 12 WHEN ASSEMBLING A NON CRIMP HEIGHT ADJUST APPLICATOR (-6) USE SHIMS FROM ITEM 260 TO ACHIEVE A NOMINAL SHIM HEIGHT OF 4.91.
- 13 UNLESS OTHERWISE SPECIFIED SET UP THE APPLICATOR FOR THE 24 OR 26 AWG WIRE USING ITEM 178. THE ADDITIONAL WIRE CRIMPER ITEM 179 NEEDS TO BE SENT WITH THE APPLICATOR TO CRIMP THE 22 AWG WIRE.
- 14 ITEMS 179 TO BE USED WITH 22 AWG ONLY. ITEMS TO BE SHIPPED WITH APPLICATOR.
- 15 ITEMS 178 TO BE USED WITH 24-26 AWG ONLY. ITEMS TO BE SHIPPED WITH APPLICATOR.

*WARNING
ON INSTALLATION, SET WIRE DISC, ITEM 40 TO LARGEST WIRE SIZE SETTING. USE OF SETTINGS BELOW MINIMUM REQUIRED CRIMP HEIGHT SETTING WILL CAUSE DAMAGE TO CRIMP TOOLING.

LOC	DIST	REVISIONS		
A	66			
REV	DATE	BY	CHKD	APP'D
1	04JUN2014	GH	TE	
A	18JUL2014	GH	TE	
B	09AUG2016	KH	LZ	

REV	DATE	BY	CHKD	APP'D	DESCRIPTION	QTY		
-	-	-	-	-	2119957-2	APPLICATOR SHIM PACK	260	
-	-	-	-	-	8-21084-0	O-RING, .676 ID, .070 DIA. MAT.	252	
-	-	-	-	-	2119640-1	PUSH ROD, AIR FEED	250	
-	-	-	-	-	2079988-1	BUSHING, LCH5-12, MISUMI	249	
-	-	-	-	-	2119641-1	FEED CAM, AIR FEED	248	
-	-	-	-	-	2119798-1	DETENT PIN	247	
-	-	-	-	-	1-22279-3	SPRING, COMPRESSION	246	
-	-	-	-	-	2119758-1	RAM, AMP STYLE, SIDE FEED, NON-ADJ.	245	
-	-	-	-	-	2119082-8	CAM, SNAIL, INSULATION ADJUSTMENT	244	
-	-	-	-	-	2079764-1	WASHER, WAVE SPRING, CREST-TO-CREST	243	
-	-	-	-	-	2119083-1	RETAINER, INSULATION DIAL	242	
-	-	-	-	-	7-18023-7	SCR, SKT HD CAP M3 X 4.0	241	
-	-	-	-	-	2168400-6	SHCS, LOW HEAD, RoHS, M5 X 16	240	
-	-	-	-	-	2119580-1	MECHANICAL FEED ASSEMBLY	239	
-	-	-	-	-	2063440-1	AIR FEED MODULE	238	
-	-	-	-	-	2119740-2	TAG IDENTIFICATION	213	
-	-	-	-	-	1901094-3	SPACER, FEEDER	198	
-	-	-	-	-	9-1633609-5	CRIMPER, WIRE	179	
1	-	-	-	-	9-1633609-4	CRIMPER, WIRE	178	
-	-	-	-	-	21045-3	RING, RETAIN, EXTERN, 3/16 CRESCENT	172	
-	-	-	-	-	994969-1	MAGNET, RARE EARTH HIGH ENERGY	166	
-	-	REF	REF	REF	994970-2	COUNTER, MAGNETIC	164	
-	-	-	-	-	240638-1	SPRING, FEED FINGER	163	
-	-	-	-	-	3-23627-7	PIN, RETAIN, GRVD, 3/16 X .854	137	
-	-	-	-	-	2119799-1	HOLDER, FEED FINGER, AF	136	
-	-	-	REF	REF	-	SEE NOTE 4	MEMORY CHIP, PROGRAMMED	135
-	-	-	-	-	1633743-1	SERVO FEED LATCH ASM	133	
-	-	-	REF	REF	-	-	FEED FINGER ASSEMBLY, SF	117
-	-	-	-	-	455888-6	SPACER, CRIMPER	82	
-	-	-	-	-	2119956-1	DOCUMENTATION PACKAGE	71	
-	-	-	-	-	2119740-1	TAG IDENTIFICATION	67	
-	-	-	-	-	2168078-1	SCREW, DRIVE, RH, RoHS, 2 x .188	66	
-	-	-	-	-	2119793-1	LIMITER, ADJUSTMENT BOLT	63	
-	-	-	-	-	992763-5	SCR, SET, SOC, CONE POINT, M3 x 4.0	62	
-	-	-	-	-	2079383-4	SCR, BHSC, RoHS (M4 X 8)	60	
-	-	-	-	-	5-18022-5	SCR, HEX HD CAP, M4 X 6.0	59	
-	-	-	-	-	1338685-1	PAWL, FEED	56	
-	-	-	-	-	2168400-1	SHCS, LOW HEAD, RoHS, M4 X 12	54	
-	-	-	-	-	18023-9	SCR, SKT HD CAP M4 X 6.0	49	
-	-	-	-	-	2119652-1	FEED CAM, PRE FEED	48	
-	-	-	-	-	2119653-1	FEED CAM, POST FEED	47	
-	-	-	-	-	2119656-9	APPLICATOR BASIC ASSEMBLY, SF	46	
-	-	-	-	-	2119370-1	RAM, AMP STYLE, SIDE FEED	44	
-	-	-	-	-	2079383-7	SCR, BHSC, RoHS (M8 X 25)	41	
-	-	-	-	-	2119645-1	DISC, NUMBERED FA WIRE ADJUSTMENT	40	
-	-	-	-	-	2119957-1	APPLICATOR SHIM PACK	39	
-	-	-	-	-	2119644-1	RAM WASHER, PRECISION	38	
-	-	-	-	-	2119085-1	FA HEAD, ATLANTIC STYLE	37	
-	-	-	-	-	2119092-1	BOLT, ADJUSTMENT	35	
-	-	-	-	-	469465-4	STOP, WIRE	34	
-	-	-	-	-	2079383-5	SCR, BHSC, RoHS (M4 X 20)	33	
-	-	-	-	-	2161328-1	HEX HEAD, FLANGED, M5 x 8mm LONG	32	
-	-	-	-	-	1-1320908-0	SPACER, STRIP GUIDE	30	
-	-	-	-	-	2119959-1	ASSEMBLY, STRIP GUIDE	29	
-	-	-	-	-	455888-3	SPACER, CRIMPER	28	
-	-	-	-	-	1320928-2	STRIP GUIDE	24	
-	-	-	-	-	2168083-2	SCR, SKT HD CAP, RoHS, M4 X 8.0	21	
-	-	-	-	-	1-18028-2	WASHER, FLAT, REG M4	20	
-	-	-	-	-	2119533-3	STRIPPER, SIDE FEED	19	
-	-	-	-	-	2119806-1	INSERT, SHEAR	13	
-	-	-	-	-	3-22280-3	SPRING, COMPRESSION	12	
-	-	-	-	-	1-356885-4	STOP, SHEAR	11	
-	-	-	-	-	2119805-1	SHEAR HOLDER, FRONT	10	
-	-	-	-	-	1803095-1	FLOATING SHEAR, FRONT	9	
1	1	1	1	1	1633916-6	ANVIL, COMBINATION	8	
-	-	-	-	-	-	-	7	
-	-	-	-	-	-	-	6	
-	-	-	-	-	2119757-4	DEPRESSOR, SHEAR	5	
-	-	-	-	-	2-238011-2	BLOCK, CRIMPER SPACER	4	
1	1	1	1	1	2-2119582-1	CRIMPER, INSULATION F PREMIUM	3	
-	-	-	-	-	1-455888-7	SPACER, CRIMPER	2	
1	1	1	1	1	4-456401-4	CRIMPER, WIRE .042 F PREMIUM	1	

ATLANTIC VERSION
Shown on sheets 1 of 4 & 2 of 4
(Pacific version shown on sheets 3 of 4 & 4 of 4)

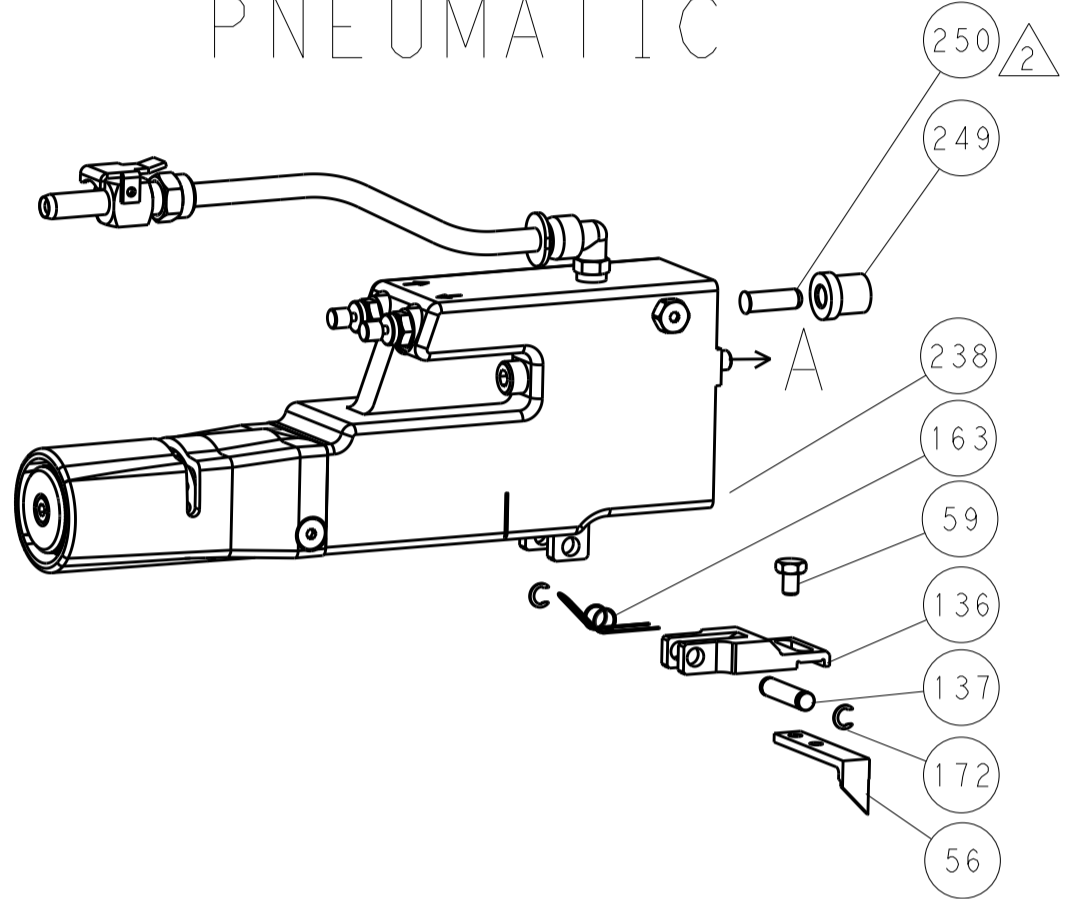
DIMENSIONS:	TOLERANCES UNLESS OTHERWISE SPECIFIED:	DATE	BY	CHKD	APP'D	NAME
mm	0 PLC ±.1 1 PLC ±.15 2 PLC ±.2 3 PLC ±.3 4 PLC ±.4 ANGLES ±.1	3 JUNE 2014	OFFNER	T. ELBIN	T. ELBIN	Ocean Side Feed Applicator
MATERIAL:	FINISH:	SCALE	SHEET 1 OF 4		REV B	

LOC	DIST	REV	DATE	BY	APPV
A	66				

FEED TYPE MECHANICAL



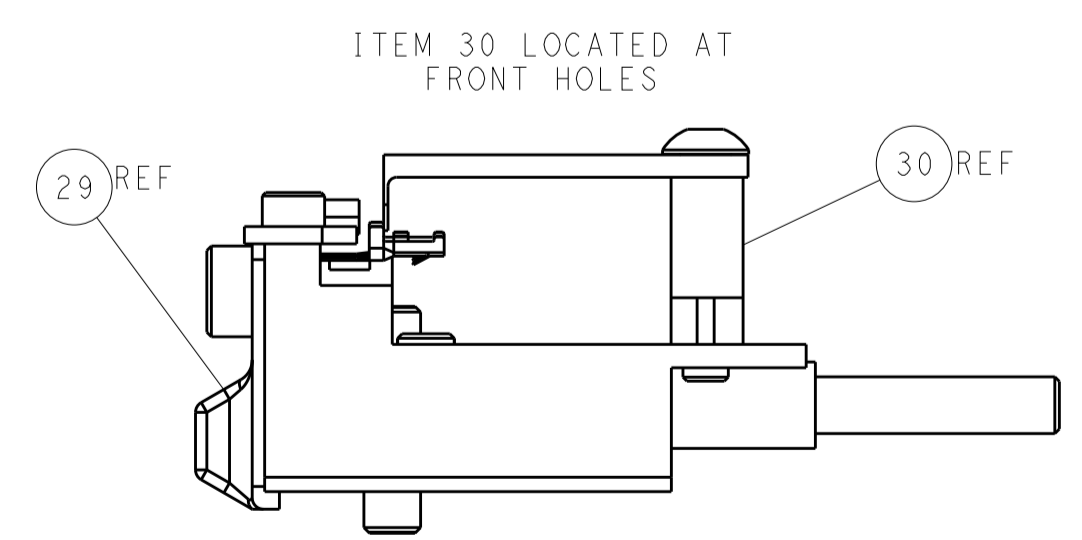
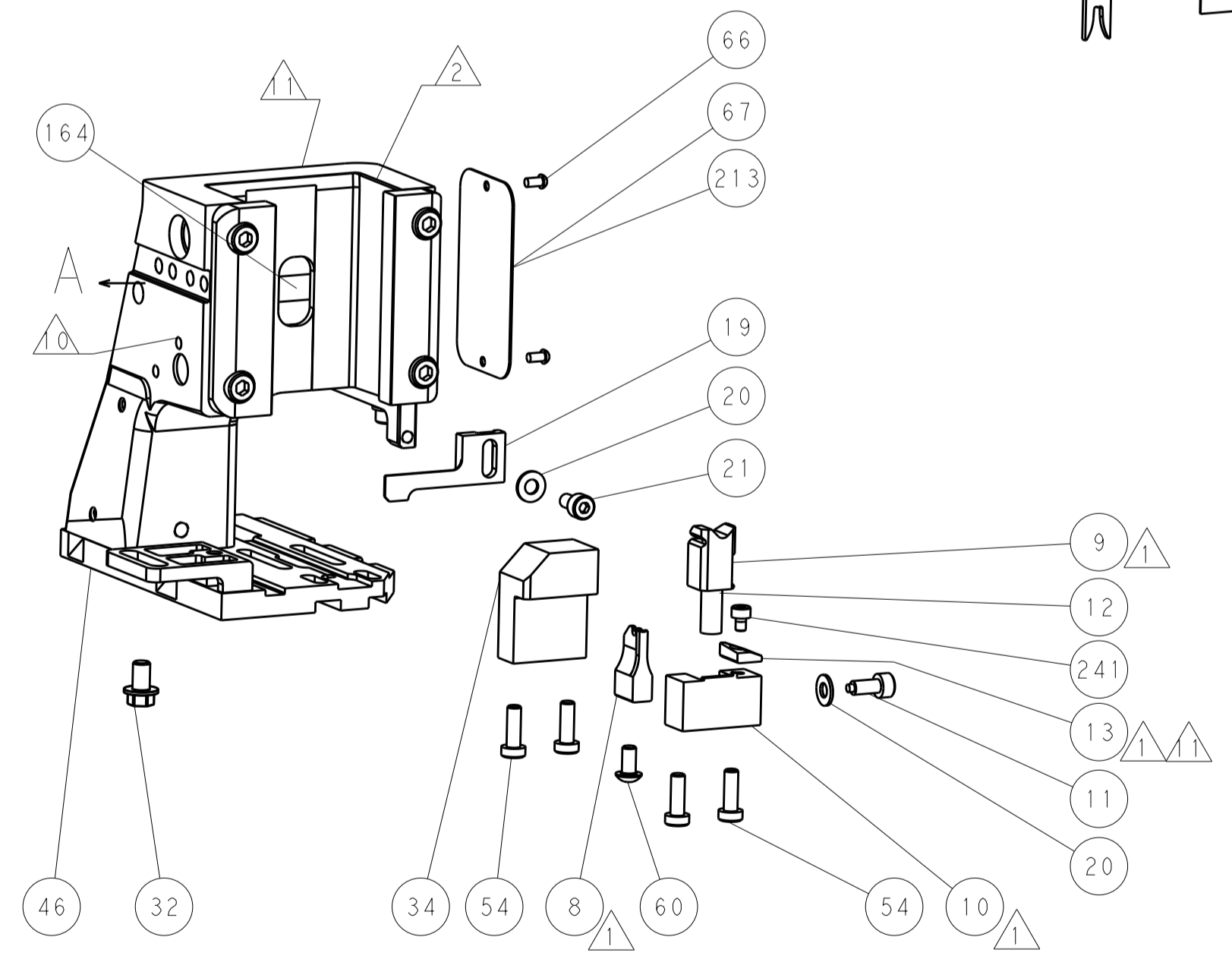
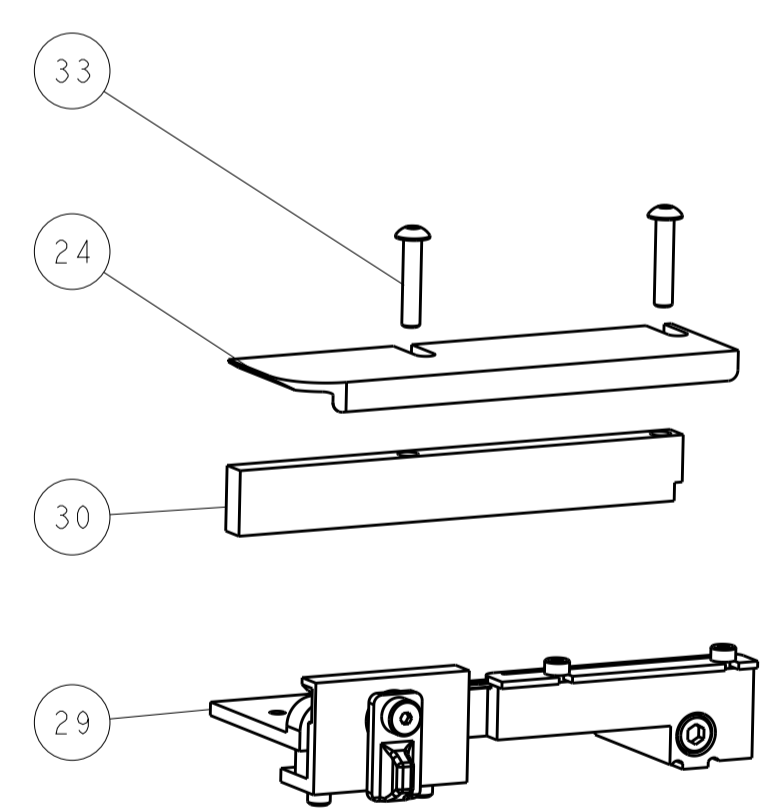
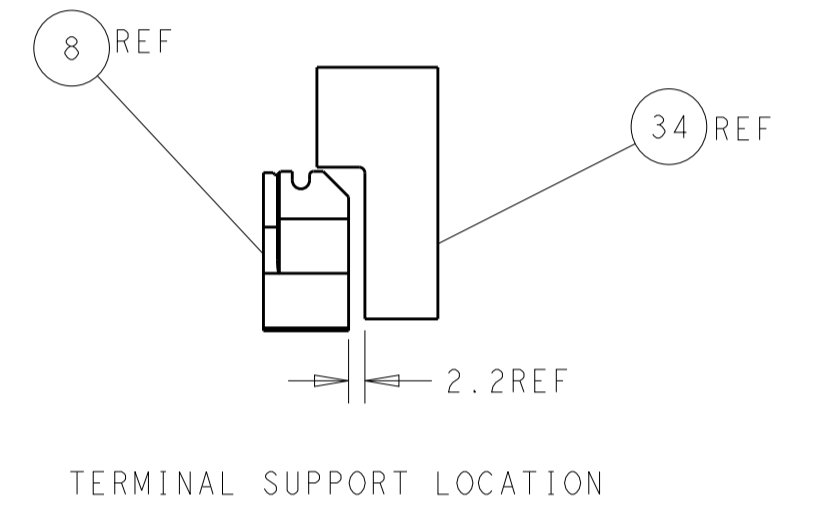
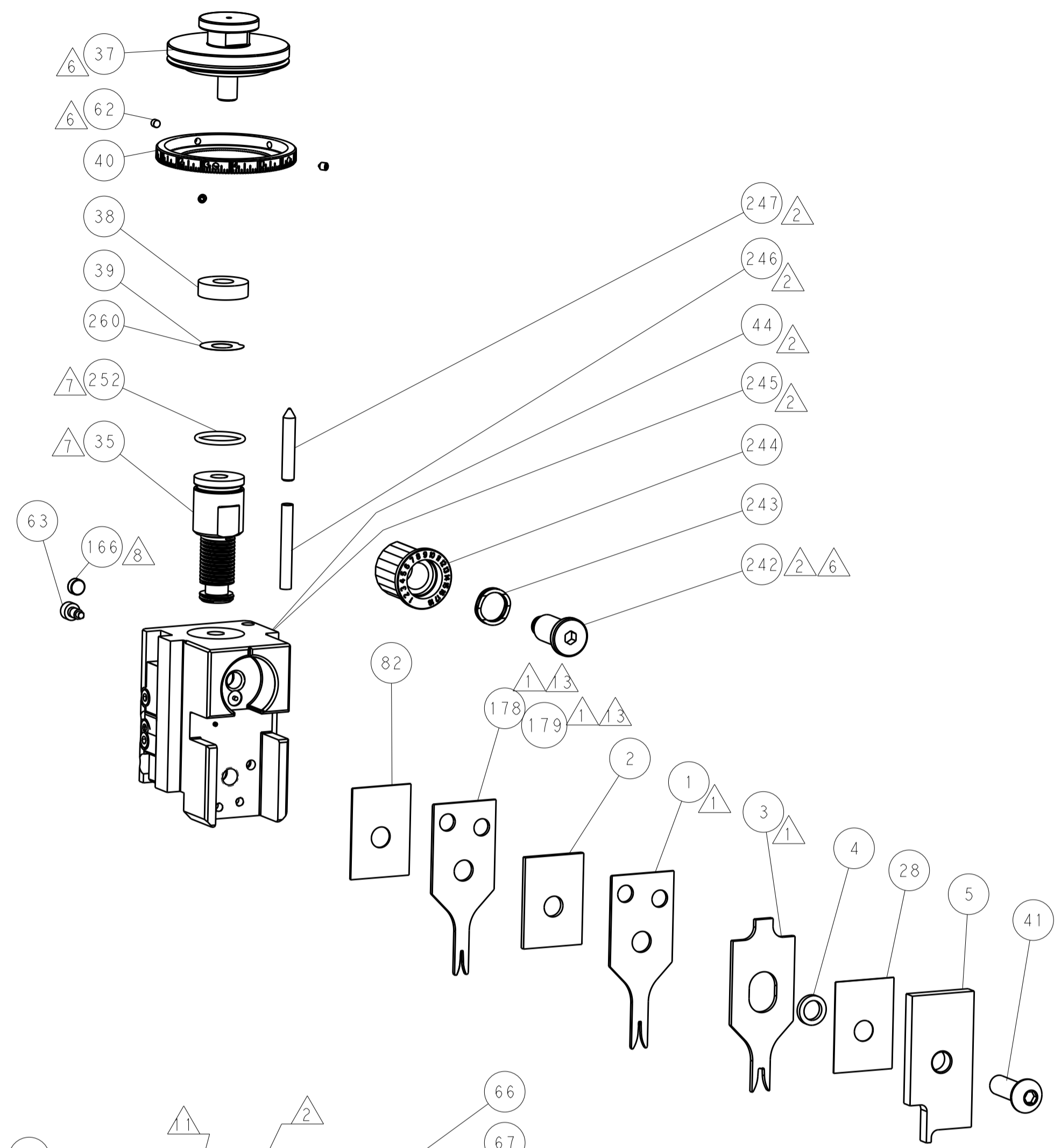
PNEUMATIC



SERVO LATCH PLATE



CAM POSITIONS



FEED TRACK POSITION GUIDE BY INSULATION BARREL

ATLANTIC VERSION
 Shown on sheets 1 of 4 & 2 of 4
 (Pacific version shown on sheets 3 of 4 & 4 of 4)

DIMENSIONS:		TOLERANCES UNLESS OTHERWISE SPECIFIED:		DWN: HOFFNER 3JUNE2014 CHK: T.ELBIN 4JUNE2014 APPV: T.ELBIN 4JUNE2014	
mm	0 PLC	±		NAME: Ocean Side Feed Applicator	
	1 PLC	±		SIZE: CAGE CODE DRAWING NO: 00779 C=2266321	
	2 PLC	±		RESTRICTED TO: -	
	3 PLC	±		SCALE: 1:2 SHEET 2 OF 4 REV B	
	4 PLC	±		Customer Accessible Production Drawing	
MATERIAL:	FINISH:	WEIGHT:			

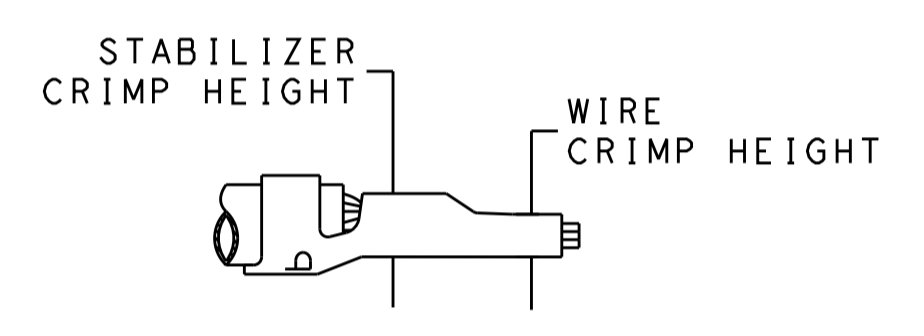
PACIFIC VERSION TERMINATOR INTERFACE ADAPTER	PART NUMBER	REVISION	DESCRIPTION	FEED TYPE	APPLICATOR STYLE CONVERSION CHART						
					CONVERT TO	PART NUMBERS REQUIRED					
	2-2266321-1	B	FINE CRIMP HEIGHT ADJUST	MECHANICAL	PNEUMATIC FEED	2119950-1	1338685-1	5-18022-5	2119641-2	2119799-1	2063440-1
					SERVO LATCH PLATE	2119951-1	-	8-2266321-5	1901094-3	-	2168400-6 (QUANTITY 2)
					SMART APPLICATOR	2161326-1	-	8-2266321-4	-	-	-
	2-2266321-2	B	FINE CRIMP HEIGHT ADJUST	PNEUMATIC	MECHANICAL FEED	2119949-1	1338685-1	5-18022-5	2119653-2	-	-
					SERVO LATCH PLATE	2119951-1	-	8-2266321-5	1901094-3	-	2168400-6 (QUANTITY 2)
					SMART APPLICATOR	2161326-1	-	8-2266321-4	-	-	-
	2-2266321-5	B	FINE CRIMP HEIGHT ADJUST	SERVO LATCH PLATE ⁴	MECHANICAL FEED	2119949-1	1338685-1	5-18022-5	2119653-2	-	-
					PNEUMATIC FEED	2119950-1	1338685-1	5-18022-5	2119641-2	2119799-1	2063440-1
	2-2266321-7	B	FINE CRIMP HEIGHT ADJUST	NONE	-	-	-	-	-	-	-
	7-2266321-*	-	SEE CRIMP TOOLING KITS BELOW	-	-	-	-	-	-	-	-

APPLICATOR DATA		
CRIMP	SIZE	TYPE
WIRE	1.07 mm [.042]	F
STABILIZER	1.07 mm [.042]	F
INSULATION	2.79 mm [.110]	F

APPLICATOR INSTRUCTIONS
 DWG_APP_INSTRUCTIONS: 2

PART NO	REV	WIRE SIZE	WIRE CRIMPER	STABILIZER CRIMPER	INSULATION CRIMPER	ANVIL
7-2266321-7	B	22 AWG	9-1633609-5	4-456401-4	2-2119582-1	1633916-6
7-2266321-8	B	24-26 AWG	9-1633609-4	4-456401-4	2-2119582-1	1633916-6

TERMINAL DATA: TE TERMINAL		TE CRIMP SPECIFICATION
TERMINAL NAME: MINI AMP-IN TERMINAL		
WIRE STRIP LENGTH		INSULATION DIAMETER RANGE
4.45-5.21 mm [1.75-.205 IN]		Ø1.02-2.54 mm [.040-.100 IN]
TERMINAL APPLICATION SPECIFICATION	114-1016	
TERMINALS APPLIED		
TE TERMINAL	TE TERMINAL	TE TERMINAL
3-640401-1		



WIRE SIZE	CRIMP HEIGHT mm [INCH]	STABILIZER CRIMP HEIGHT	CRIMP HEIGHT REFERENCE SETTING
22 AWG	0.89+/-0.05 [.035+/- .002]	1.02±0.05 (0.40±.002)	6.7
24-26 AWG	0.74+/-0.05 [.029+/- .002]	1.02±0.05 (0.40±.002)	6.5



- RECOMMENDED SPARE PARTS
- GREASE BEARING SURFACES LIGHTLY
- LUBRICATE DAILY PER THE APPLICATOR INSTRUCTION SHEET SUPPLIED WITH THE APPLICATOR.
- APPLICATOR SPECIFIC DATA TO BE ENTERED INTO BLANK MEMORY CHIP AT ASSEMBLY. SEE BELOW FOR PART NUMBER:
 MECHANICAL FEED WITH "SMART APPLICATOR" CONVERSION: 8-2266321-4
 PNEUMATIC FEED WITH "SMART APPLICATOR" CONVERSION: 8-2266321-4
 SERVO FEED WITH "FINE CRIMP HEIGHT ADJUST": 8-2266321-5
- ADJUSTMENT OF THE STRIPPER MAY BE REQUIRED WHEN MOVING THE APPLICATOR BETWEEN BENCH AND LEADMAKER APPLICATIONS.
- APPLY PART NUMBER 1-23419-5 LOCTITE TO THREADS OF ITEMS 62. APPLY PART NUMBER 2-23419-6 LOCTITE TO THREADS OF ITEMS 242.
- GREASE THREADS, GROOVE AND O-RING ON ITEMS 139 & 152.
- MAGNET MUST BE ORIENTED CORRECTLY IN ORDER TO PROPERLY ACTUATE THE COUNTER.
- CRIMP HEIGHT REFERENCE SETTING WAS THE SETTING USED WHEN THE APPLICATOR WAS QUALIFIED AT THE FACTORY. ADJUSTMENT MAY BE NECESSARY WHEN RUNNING APPLICATOR IN THE FIELD.
- SPARE FEED CAM STORAGE LOCATION REFER TO INSTRUCTION SHEET FOR ADDITIONAL INFORMATION.
- TO CONVERT THE APPLICATOR TO A NON-CARRIER CUTTING STYLE, REMOVE ITEM 13 AND ATTACH TO THE LOCATION ON BACK SIDE OF THE HOUSING. REFER TO INSTRUCTION SHEET FOR ADDITIONAL INFORMATION.
- UNLESS OTHERWISE SPECIFIED SET UP THE APPLICATOR FOR THE 24 OR 26 AWG WIRE USING ITEM 178. THE ADDITIONAL WIRE CRIMPER ITEM 179 NEEDS TO BE SENT WITH THE APPLICATOR TO CRIMP THE 22 AWG WIRE.
- ITEMS 179 TO BE USED WITH 22 AWG ONLY. ITEMS TO BE SHIPPED WITH APPLICATOR.
- ITEMS 178 TO BE USED WITH 24-26 AWG ONLY. ITEMS TO BE SHIPPED WITH APPLICATOR.

***WARNING**
 ON INSTALLATION, SET WIRE DISC, ITEM 40 TO LARGEST WIRE SIZE SETTING. USE OF SETTINGS BELOW MINIMUM REQUIRED CRIMP HEIGHT SETTING WILL CAUSE DAMAGE TO CRIMP TOOLING.

SET UP GAUGE	LOC	DIST	REVISIONS			
2119599-1	A	66	REV	DATE	BY	APP'D
			-	SEE SHEET 1		

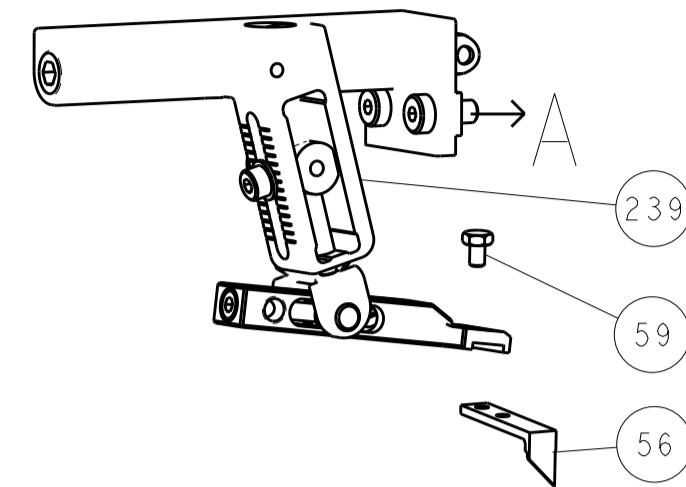
-	-	1	1	1	1	2119782-1	FINE ADJUST HEAD ASM, PACIFIC STYLE	251
-	-	-	-	1	-	2119640-1	PUSH ROD, AIR FEED	250
-	-	-	-	1	-	2079988-1	BUSHING, LCH5-12, MISUMI	249
-	-	1	1	1	1	1-22279-3	SPRING, COMPRESSION	246
-	-	1	1	1	1	2119082-8	CAM, SNAIL, INSULATION ADJUSTMENT	244
-	-	1	1	1	1	2079764-1	WASHER, WAVE SPRING, CREST-TO-CREST	243
-	-	1	1	1	1	2119083-1	RETAINER, INSULATION DIAL	242
-	-	1	1	1	1	7-18023-7	SCR, SKT HD CAP M3 X 4.0	241
-	-	-	2	-	-	2168400-6	SHCS, LOW HEAD, RoHS, M5 X 16	240
-	-	-	-	-	1	2119580-1	MECHANICAL FEED ASSEMBLY	239
-	-	-	-	-	1	2063440-1	AIR FEED MODULE	238
-	-	-	1	-	-	2119740-2	TAG, IDENTIFICATION	213
-	-	-	1	-	-	1901094-3	SPACER, FEEDER	198
-	-	1	1	1	1	9-1633609-5	CRIMPER, WIRE	179
1	-	1	1	1	1	9-1633609-4	CRIMPER, WIRE	178
-	-	-	-	2	-	21045-3	RING, RETAIN, EXTERN, 3/16 CRESCENT	172
-	-	1	1	1	1	994969-1	MAGNET, RARE EARTH HIGH ENERGY	166
-	-	REF	REF	REF	REF	994970-2	COUNTER, MAGNETIC	164
-	-	-	-	1	-	240638-1	SPRING, FEED FINGER	163
-	-	1	1	1	1	8-21084-1	O-RING, .801 ID, .070 DIA. MAT.	152
-	-	-	-	1	-	2119641-2	FEED CAM, AIR FEED	151
-	-	1	1	1	1	2119798-2	DETENT PIN	145
-	-	1	1	1	1	2079383-8	SCR, BHSC, RoHS (M4 X 16)	144
-	-	4	4	4	4	2168400-5	SHCS, LOW HEAD, RoHS, M4 X 20	143
-	-	-	-	-	1	2119653-2	FEED CAM, POST FEED	142
-	-	1	1	1	1	1-2119656-0	APPLICATOR BASIC ASSEMBLY, SF	141
-	-	1	1	1	1	2119650-1	RAM, ASIAN STYLE, SIDE FEED	140
-	-	1	1	1	1	2119092-2	BOLT, ADJUSTMENT	139
-	-	-	-	1	-	3-23627-7	PIN, RETAIN, GRVD, 3/16 X .854	137
-	-	-	-	1	-	2119799-1	HOLDER, FEED FINGER, AF	136
-	-	-	REF	-	-	SEE NOTE 4	MEMORY CHIP, PROGRAMMED	135
-	-	-	1	-	-	1633743-1	SERVO FEED LATCH ASM	133
-	-	-	REF	-	-	2119944-1	FEED FINGER ASSEMBLY, SF	117
-	-	1	1	1	1	455888-6	SPACER, CRIMPER	82
-	-	1	1	1	1	2119956-1	DOCUMENTATION PACKAGE	71
-	-	1	-	1	1	2119740-1	TAG, IDENTIFICATION	67
-	-	2	2	2	2	2168078-1	SCREW, DRIVE, RH, RoHS, 2 x .188	66
-	-	1	1	1	1	2119793-1	LIMITER, ADJUSTMENT BOLT	63
-	-	3	3	3	3	992763-5	SCR, SET, SOC, CONE POINT, M3 x 4.0	62
-	-	-	-	1	1	5-18022-5	SCR, HEX HD CAP, M4 X 6.0	59
-	-	-	-	1	1	1338685-1	PAWL, FEED	56
-	-	-	-	1	2	18023-9	SCR, SKT HD CAP M4 X 6.0	49
-	-	-	-	-	1	2119652-1	FEED CAM, PRE FEED	48
-	-	1	1	1	1	2079383-7	SCR, BHSC, RoHS (M8 X 25)	41
-	-	1	1	1	1	2119645-1	DISC, NUMBERED FA WIRE ADJUSTMENT	40
-	-	1	1	1	1	2119957-1	APPLICATOR SHIM PACK	39
-	-	1	1	1	1	2119644-1	RAM WASHER, PRECISION	38
-	-	1	1	1	1	469465-4	STOP, WIRE	34
-	-	2	2	2	2	2079383-5	SCR, BHSC, RoHS (M4 X 20)	33
-	-	1	1	1	1	2161328-1	HEX HEAD, FLANGED, M5 x 8mm LONG	32
-	-	1	1	1	1	1-1320908-0	SPACER, STRIP GUIDE	30
-	-	1	1	1	1	2119959-1	ASSEMBLY, STRIP GUIDE	29
-	-	1	1	1	1	455888-3	SPACER, CRIMPER	28
-	-	1	1	1	1	1320928-2	STRIP GUIDE	24
-	-	1	1	1	1	2168083-2	SCR, SKT HD CAP, RoHS, M4 X 8.0	21
-	-	2	2	2	2	1-18028-2	WASHER, FLAT, REG M4	20
-	-	1	1	1	1	2119533-3	STRIPPER, SIDE FEED	19
-	-	1	1	1	1	2119806-1	INSERT, SHEAR	13
-	-	1	1	1	1	3-22280-3	SPRING, COMPRESSION	12
-	-	1	1	1	1	1-356885-4	STOP, SHEAR	11
-	-	1	1	1	1	2119805-1	SHEAR HOLDER, FRONT	10
-	-	1	1	1	1	1803095-1	FLOATING SHEAR, FRONT	9
1	1	1	1	1	1	1633916-6	ANVIL, COMBINATION	8
-	-	-	-	-	-	-	-	7
-	-	-	-	-	-	-	-	6
-	-	1	1	1	1	2119757-4	DEPRESSOR, SHEAR	5
-	-	1	1	1	1	2-238011-2	BLOCK, CRIMPER SPACER	4
1	1	1	1	1	1	2-2119582-1	CRIMPER, INSULATION F PREMIUM	3
-	-	1	1	1	1	1-455888-7	SPACER, CRIMPER	2
1	1	1	1	1	1	4-456401-4	CRIMPER, WIRE .042 F PREMIUM	1

PACIFIC VERSION
 Shown on sheets 3 of 4 & 4 of 4
 (Atlantic version shown on sheets 1 of 4 & 2 of 4)

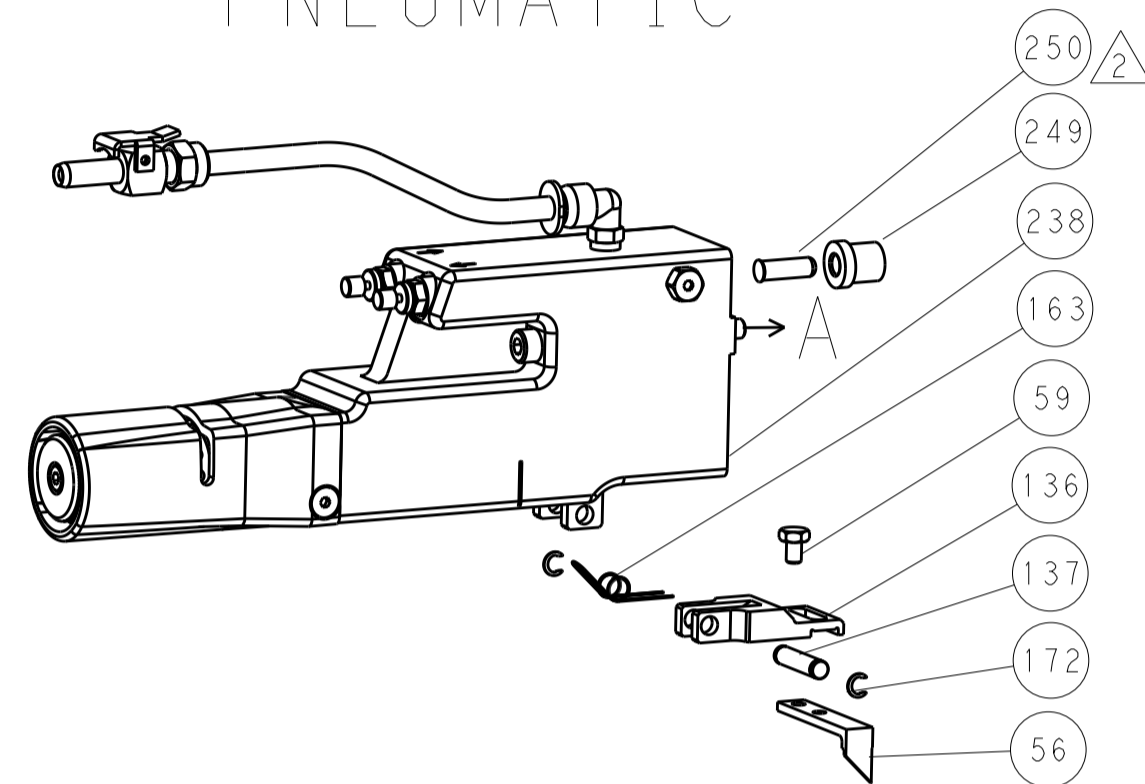
DIMENSIONS:	TOLERANCES UNLESS OTHERWISE SPECIFIED:	OWN	DATE	TE Connectivity	
mm	0 PLC ± 1 PLC ± 3 PLC ± 4 PLC ± ANGLES ±	HOFFNER	3 JUNE 2014	TE Connectivity Harrisburg, PA 17105-3608	
	FINISH	ELBIN	4 JUNE 2014	Ocean Side Feed Applicator	
MATERIAL		APVD	4 JUNE 2014	SIZE	CAGE CODE DRAWING NO
		PRODUCT SPEC		A1	00779 ©=2266321
		APPLICATION SPEC		RESTRICTED TO	
		WEIGHT		Customer Accessible Production Drawing	SCALE 1:2 SHEET 3 OF 4 REV B

LOC		DIST		REVISIONS			
A	66	P	LTM	DESCRIPTION	DATE	DMN	APVD
		-		SEE SHEET 1			

FEED TYPE MECHANICAL



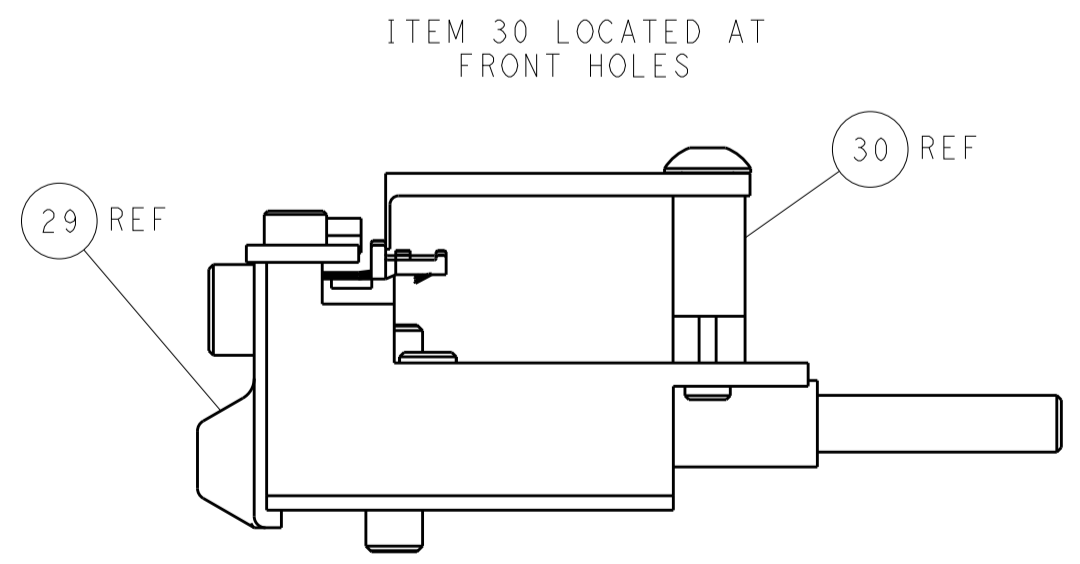
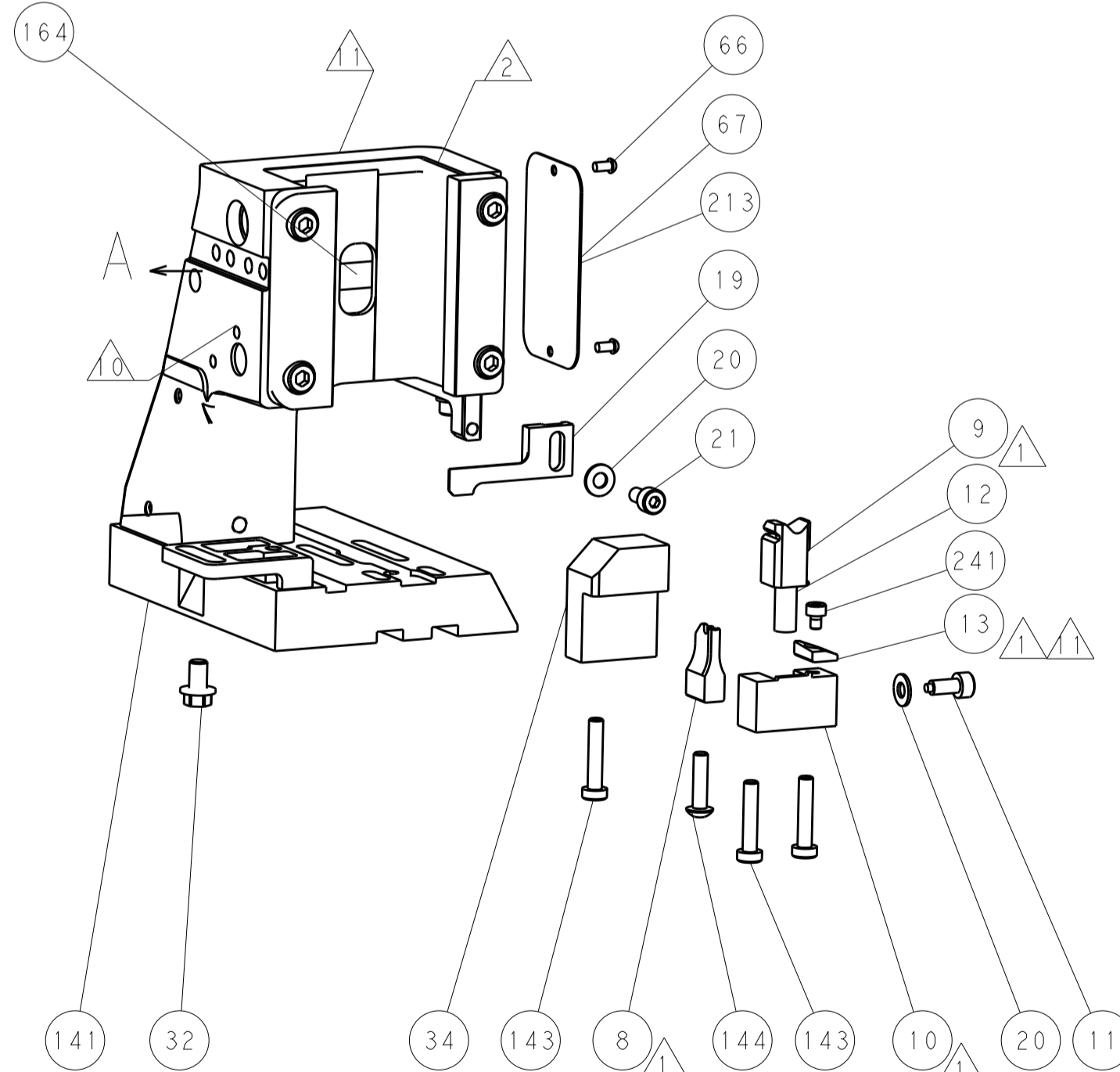
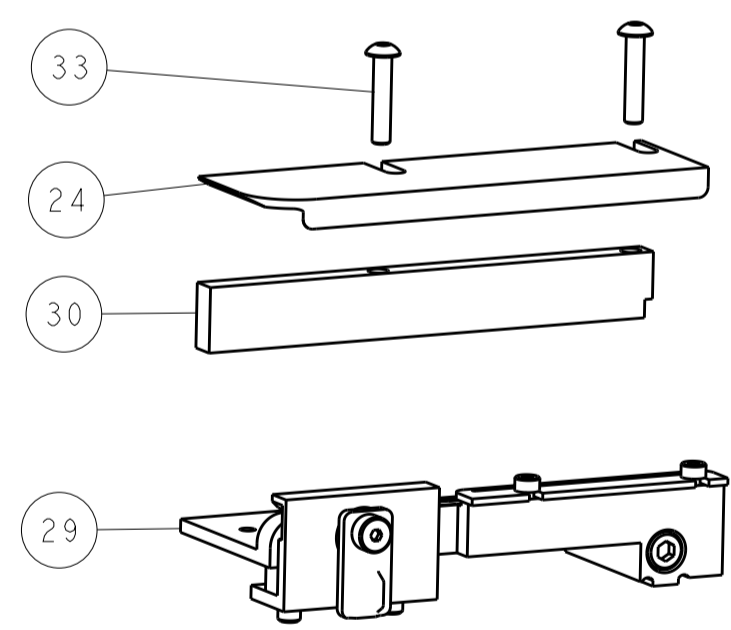
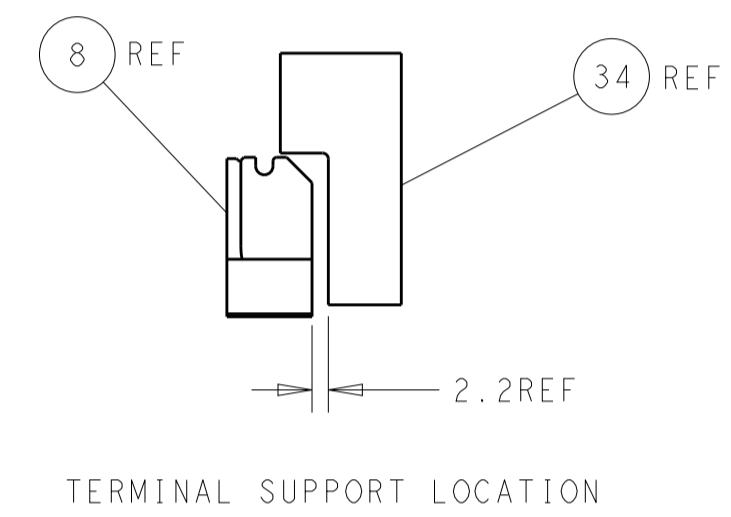
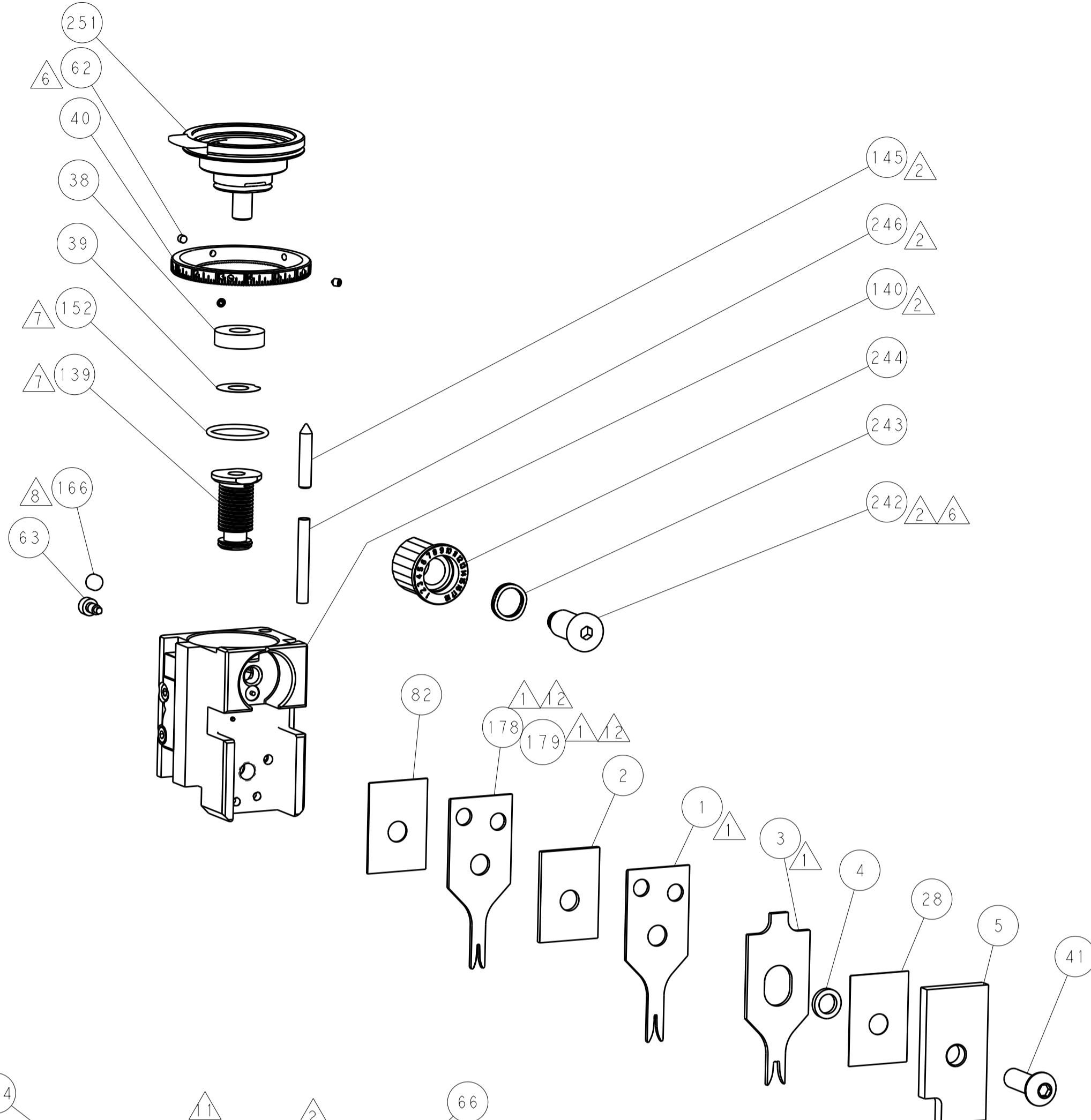
PNEUMATIC



SERVO LATCH PLATE



CAM POSITIONS



FEED TRACK POSITION
GUIDE BY INSULATION BARREL

PACIFIC VERSION
 Shown on sheets 3 of 4 & 4 of 4
 (Atlantic version shown on sheets 1 of 4 & 2 of 4)

<small>THIS DRAWING IS UNPUBLISHED. RELEASED FOR PUBLICATION. IT IS THE PROPERTY OF TYCO ELECTRONICS CORPORATION. IT IS TO BE USED ONLY FOR THE PROJECT AND INSTANTIATION ORGANIZATION FOR WHICH IT WAS PREPARED. IT IS NOT TO BE REPRODUCED OR TRANSMITTED IN ANY FORM OR BY ANY MEANS, ELECTRONIC OR MECHANICAL, INCLUDING PHOTOCOPYING, RECORDING, OR BY ANY INFORMATION STORAGE AND RETRIEVAL SYSTEM, WITHOUT THE WRITTEN PERMISSION OF TYCO ELECTRONICS CORPORATION.</small>		DWN: HOFFNER 3JUNE2014 CHK: TELBIN 4JUNE2014 APVD: TELBIN 4JUNE2014	TE Connectivity Harrisburg, PA 17105-3608
DIMENSIONS: mm TOLERANCES UNLESS OTHERWISE SPECIFIED: 0 PLC ± 1 PLC ± 2 PLC ± 3 PLC ± 4 PLC ± ANGLES ± MATERIAL: - FINISH: -		PRODUCT SPEC: - APPLICATION SPEC: - WEIGHT: - SCALE: 1:2	NAME: Ocean Side Feed Applicator SIZE: A1 CAGE CODE: 00779 DRAWING NO: 2266321 SHEET 4 OF 4 REV B