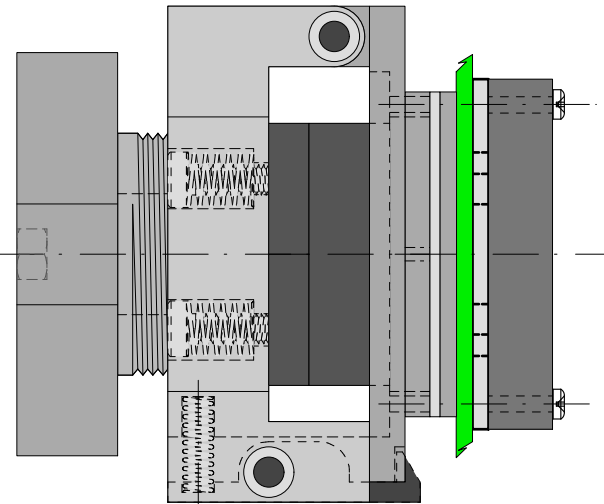
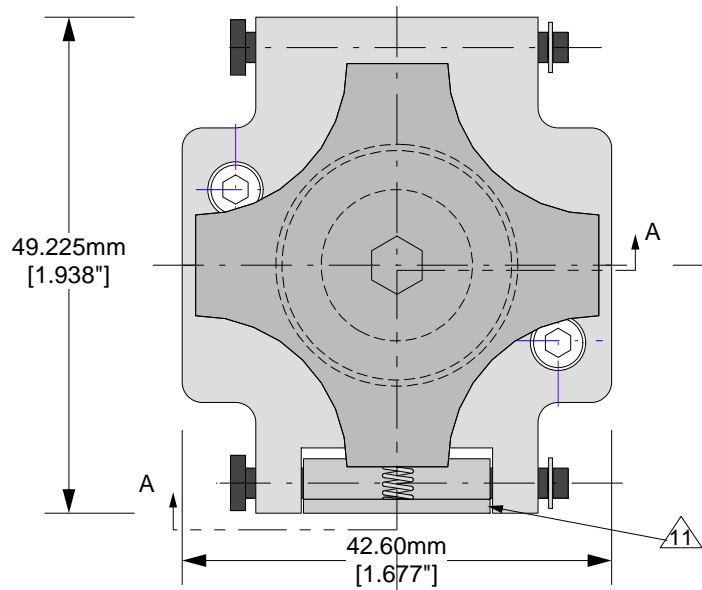
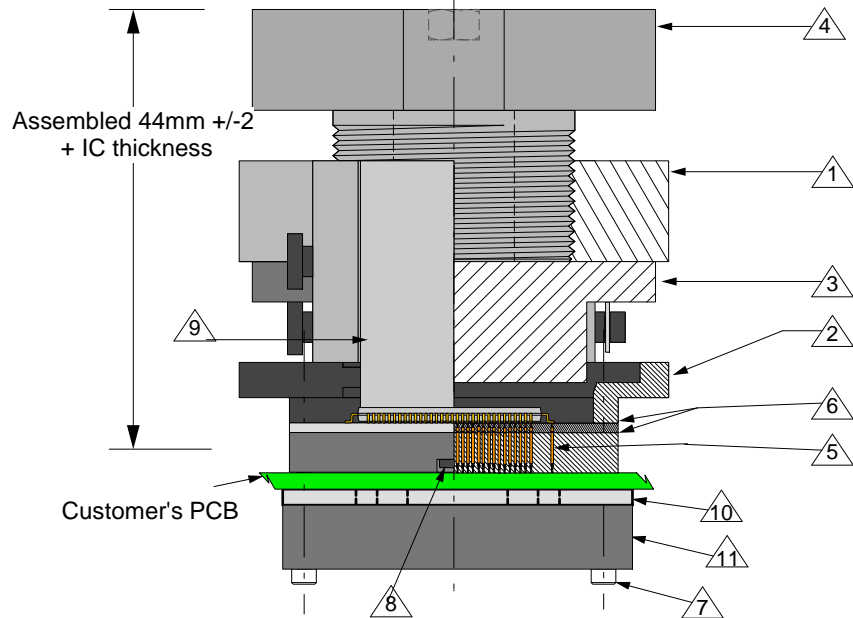


Top View



Side View
(Section AA)




Features

- Directly mounts to target PCB (needs tooling holes) with hardware
- Minimum real estate required
- Compression plate distributes forces evenly
- Clamshell lid

Materials:

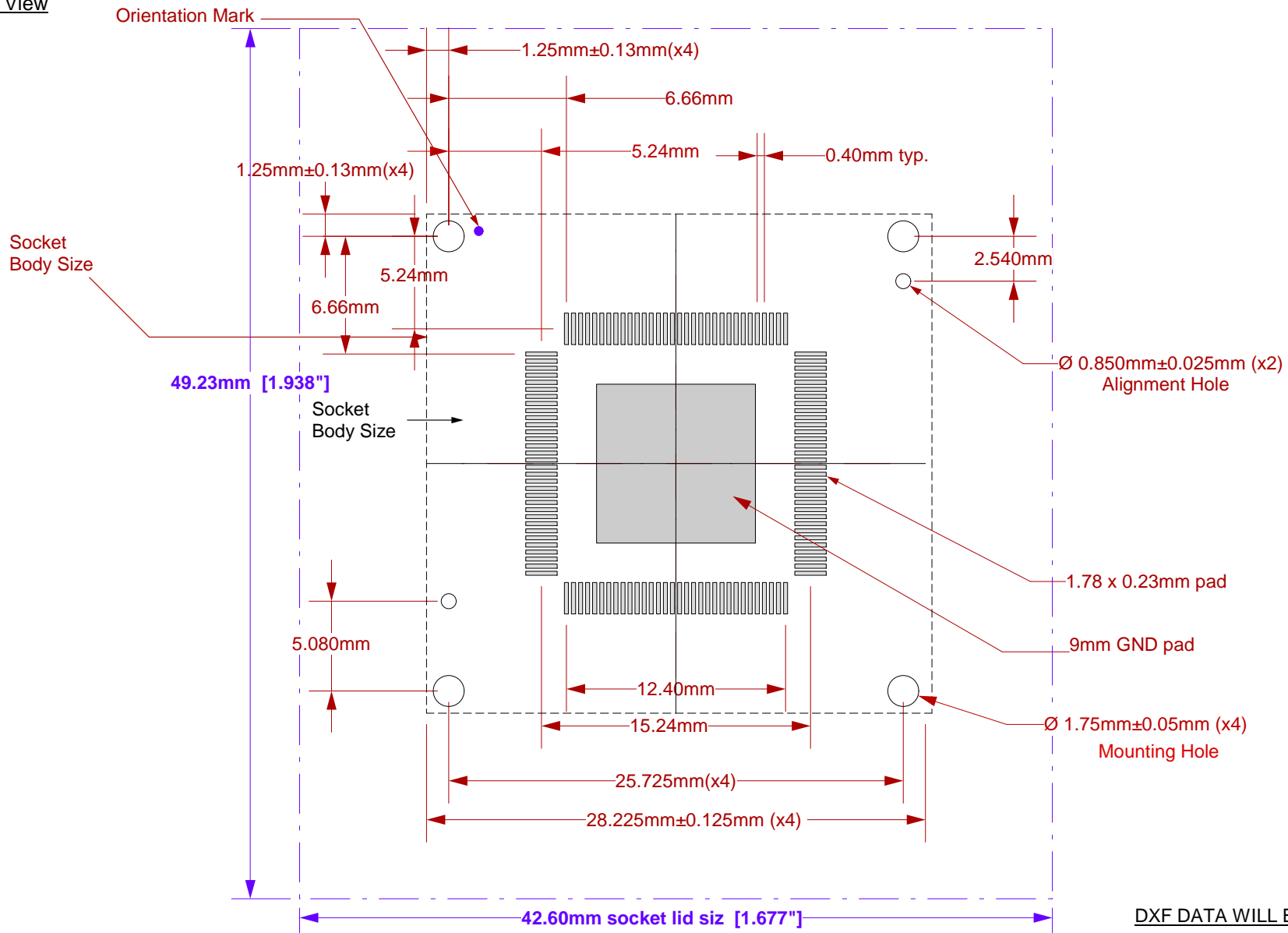
- ① Clam Shell Lid: Black anodized Aluminum. Height = 20 mm.
- ② Socket Base: Black anodized Aluminum. Height = 6 mm.
- ③ Compression Plate: Black anodized Aluminum. Thickness = 12 mm.
- ④ Compression Screw: Clear anodized Aluminum. Height = 27 mm, Fluted Knob
- ⑤ Pogo Pin:
Plungers - Hardened Steel/ Gold plated
Barrel - Copper Alloy/ Gold plated
Spring - Stainless Steel/ Gold wire
- ⑥ Pogo Pin Guides: Ceramic filled PEEK
- ⑦ Socket Base Screw: Socket Head Cap Screw, alloy steel with black oxide finish, 0-80 Thread, 5/8" long.
- ⑧ Pogo Pin Guide Screw: Pan head phillips, 18-8 SS, 0-80 thread, 3/16" long.
- ⑨ Latch: Black anodized Aluminum.
- ⑩ Backing Plate: Black anodized 7075 Aluminum
- ⑪ Insulation Plate: FR4/G10

All Tolerances: ±0.125mm (unless stated otherwise). Materials and specifications are subject to change without notice.

	SS-QFE128SD-01 Drawing	Status: Released	Scale: N/A	Rev: A
	© 2009 IRONWOOD ELECTRONICS, INC. 11351 Rupp Drive, Suite 400, Burnsville, MN 55337 Tele: (952) 229-8200 www.ironwoodelectronics.com	Drawing: M.A. Fedde		Date: 4/17/09
		File: SS-QFE128SD-01 Dwg	Modified:	

Recommended PCB Layout


Top View



DXF DATA WILL BE PROVIDED

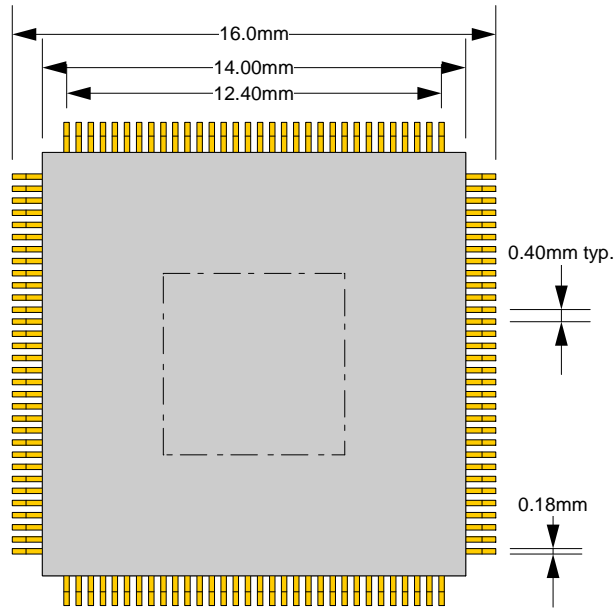
Target PCB Recommendations

Total thickness: 1.5mm min,
3mm without a backing plate
Plating: Gold or Solder finish

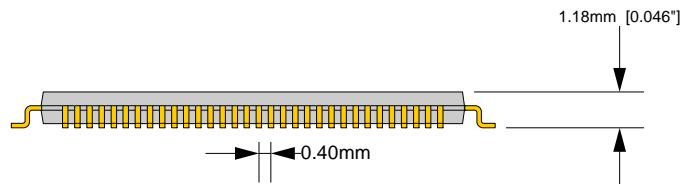
	SS-QFE128SD-01 Drawing	Status: Released	Scale: N/A	Rev: A
	© 2009 IRONWOOD ELECTRONICS, INC. 11351 Rupp Drive, Suite 400, Burnsville, MN 55337 Tele: (952) 229-8200 www.ironwoodelectronics.com	Drawing: M.A. Fedde		Date: 4/17/09
		File: SS-QFE128SD-01 Dwg		Modified:

Recommended PCB Layout
Tolerances: ±0.025mm
[±0.001"] unless stated
otherwise.


TOP VIEW
(Reference Only)



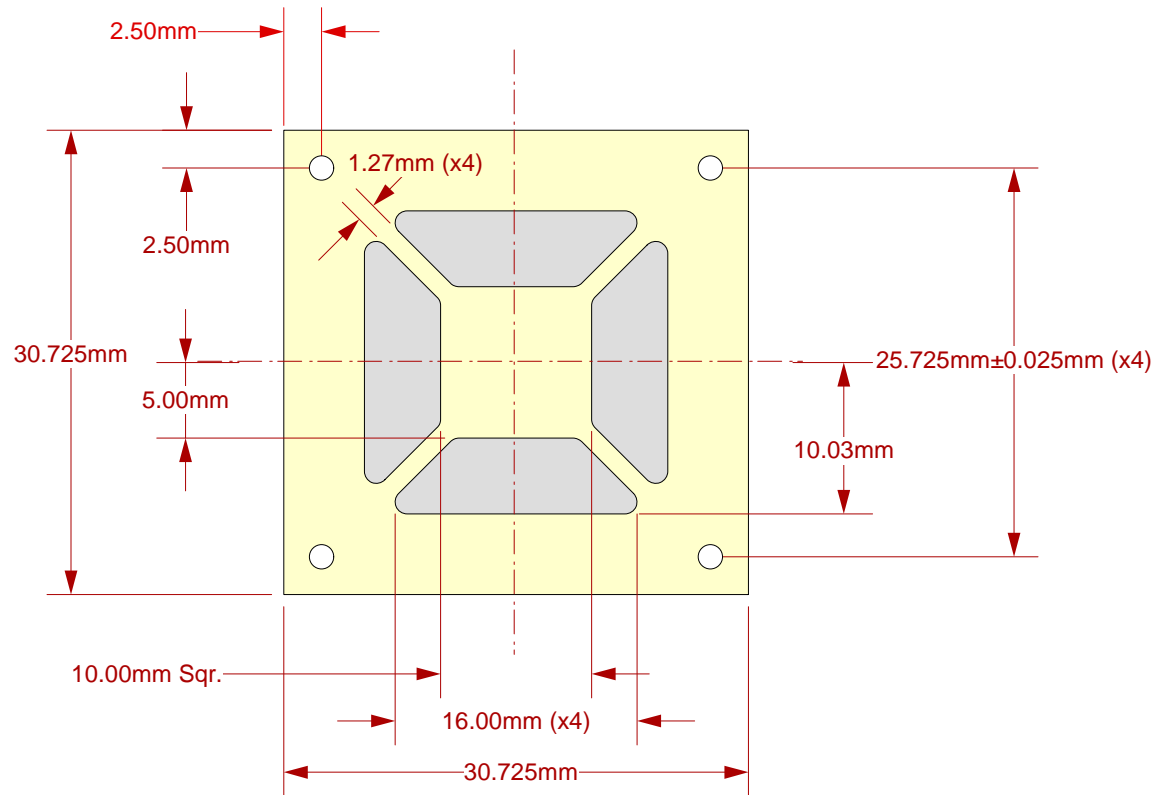
Top View



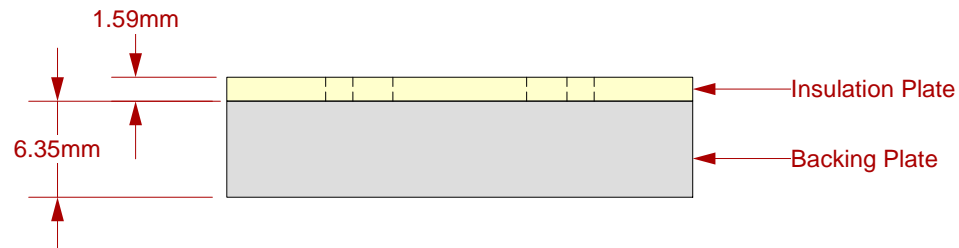
Side View

	SS-QFE128SD-01 Drawing	Status: Released	Scale: N/A	Rev: A
	© 2009 IRONWOOD ELECTRONICS, INC. 11351 Rupp Drive, Suite 400, Burnsville, MN 55337 Tele: (952) 229-8200 www.ironwoodelectronics.com	Drawing: M.A. Fedde		Date: 4/17/09
		File: SS-QFE128SD-01 Dwg	Modified:	


Top View



Side View



Description: Backing Plate with Insulation Plate

	SS-QFE128SD-01 Drawing	Status: Released	Scale: N/A	Rev: A
	© 2009 IRONWOOD ELECTRONICS, INC. 11351 Rupp Drive, Suite 400, Burnsville, MN 55337 Tele: (952) 229-8200 www.ironwoodelectronics.com	Drawing: M.A. Fedde		Date: 4/17/09
		File: SS-QFE128SD-01 Dwg	Modified:	