

# PDC-W215

## 21.5" LCD Monitor for Clinical Use



### Features

- Wide 21.5" screen with 1920 x 1080 resolution
- Professional LCD quality with high contrast ratio 3000:1 and 2.3 Megapixel color image
- Supports Full HD 1920 x 1080
- DICOM Part 14 compliance with DICOM pre-set for clinical environments
- 12 V<sub>DC</sub> power input for Mobile Nursing Cart
- IP65-rated, cleanable front bezel and IPX1-rated rear cover
- PCAP Touchscreen (optional)

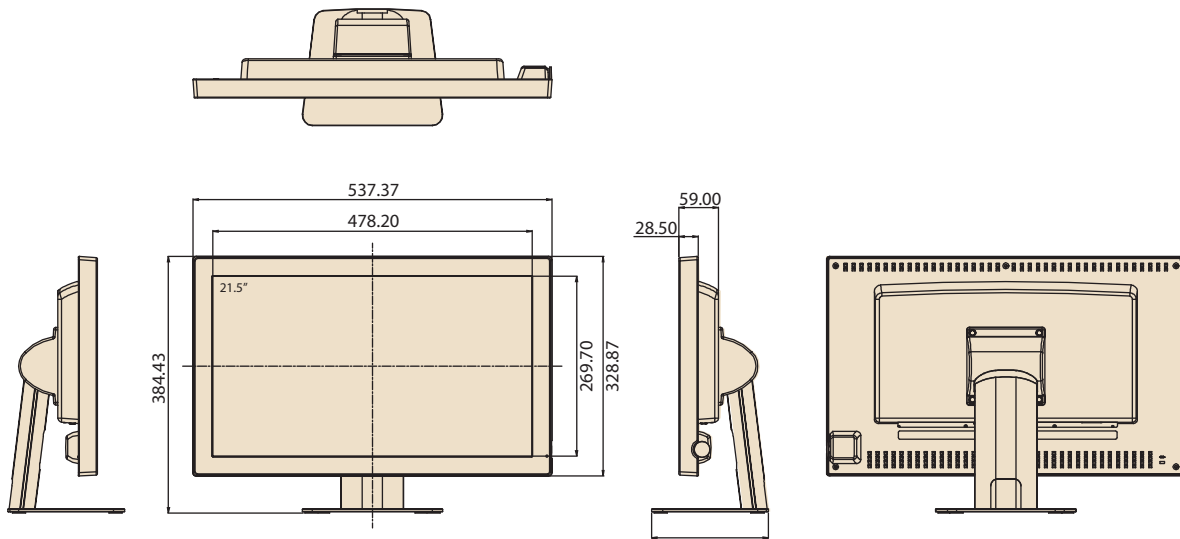


### Specifications

Display	Display Type	21.5" TFT LCD LED backlight
	Native Resolution	1920 x 1080
	Support Color	16.7 M
	Pixel Pitch	0.24825 x 0.24825 mm
	Active Screen Area	476.6 x 268.1 mm
	Contrast Ratio	3000:1 (Typ.)
	Luminance	250 cd/m <sup>2</sup> (Typ.)
	Viewing Angle (H/V)	178/178°
	Response Time	25 ms (Typ., on/off)
Color Temperature	Cool	9300° K color temperature
	Neutral	6500° K color temperature
	Warm	5400° K color temperature
	User	User adjustable RGB
I/O Ports	DVI	1
	VGA	1 (15-pin Mini D-sub) connector.: 0.7Vpp/75 Ohm, separate TTL level
	Others	Display port x 1, audio x 1 P-cap: USB x 1, RS-232 x 1
Functions	DICOM	Compatible to DICOM Part 14
Power Supply	Power Adapter	Input: 100 ~ 250 V <sub>AC</sub> , 0.6 A, 60/50 Hz universal Output: 12 V, 4.5 A
Power Consumption		On: <35 W; active off: <2 W
Physical Characteristics	Dimensions (W x H x D)	537.4 x 328.9 x 59 mm
	Weight	5.6 kg
	Mounting	VESA 100 x 100 mm
Certifications	CE	Yes
	FCC	Yes

## Dimensions

Unit: mm



## Order Information

Part Number	Touch Panel	Adapter & Cable	Stand	Power
PDC-W215-DC-BTE	Yes	No	No	DC
PDC-W215-DC-BE	No	No	No	DC

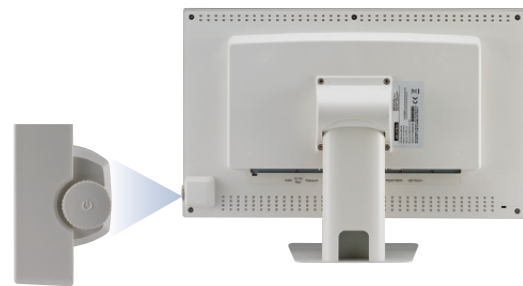
## Accessories

Part Number	Description
PDC-W215-KITE	PDC-W215 accessory w/adapter x 1, VGA cable x 1 and DVI cable x 1
PDC-W215-STAND	Stand Dimensions: 210(W) x 278.5 (H) x 175 (D) mm; VESA 100 x 100 mm, 1.76 kg

## True Flat Display Design

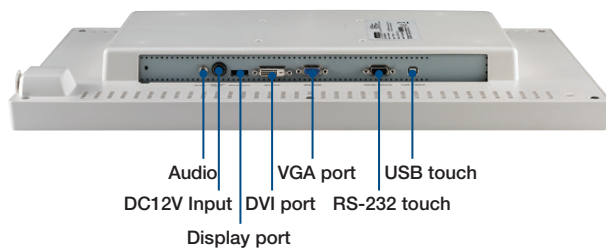


True Flat Display Design



User friendly fly key and OSD design make PDC-W215 easy to operate

## Rear I/O



\*Glass model without RS-232 touch/USB touch port