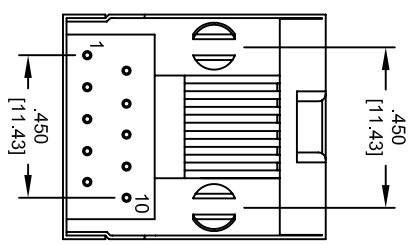
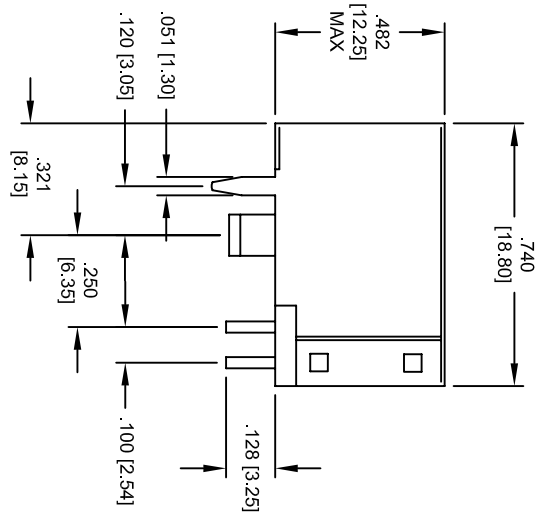
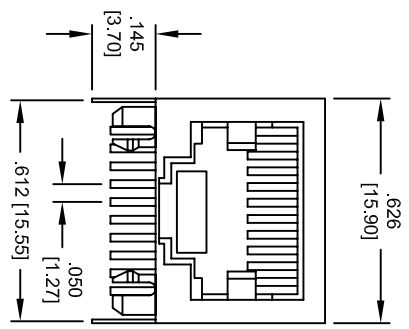
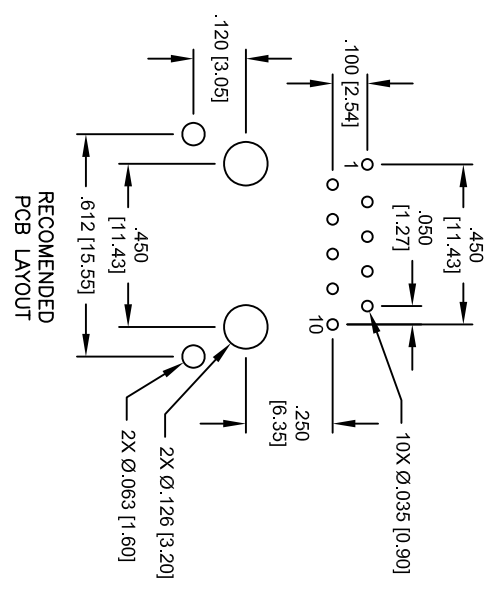


Rev	AWO #	Description	Date	Appr
-		RELEASED	8/15/07	

APPROVED: \_\_\_\_\_  
 DATE: \_\_\_\_\_ TITLE: \_\_\_\_\_



X	PLATING
0	15 µin Gold
1	30 µin Gold
2	50 µin Gold



**SPECIFICATIONS:**

Material: Insulator: PBT, rated UL 94V-0  
 Insulator color: Black  
 Contacts: Phosphor Bronze

Plating: Gold over Nickel underplate on contact area, Tin over Copper underplate on PCB tails

Electrical: Operating voltage: 150 VAC max  
 Current rating: 1.5 Amps max  
 Contact resistance: 20 mohms max  
 Insulation resistance: 500 Mohms min @ 500 VDC  
 Dielectric withstanding voltage: 1000 VAC for 1 minute  
 Temperature Rating: Operating temperature: -40°C to +125°C

Environmental: Lead free, RoHS compliant.  
 Recommended soldering temp: 235°C for 5 sec.



UNLESS OTHERWISE SPECIFIED  
 ALL DIMENSIONS ARE IN INCHES [MM]  
 TOLERANCES: EXCEPT AS NOTED  
 INCHES Holes  
 .X ± .10 ØX ± .10  
 .XX ± .020 ØXX ± .015  
 .XXX ± .015 ØXXX ± .010  
 APPROVALS DATE

**ADAM TECH**  
 909 Rahway Avenue, Union, NJ 07083  
 Phone: 908-687-5000 Fax: 908-687-5710  
 MODULAR TELEPHONE JACK, 10P10C  
 RIGHT ANGLE, PCB

SIZE	PART NO.	REV.
X	MTJ-1010WX1-FSE	-

DRAWN: SS 8/15/07  
 CHECKED: \_\_\_\_\_  
 APPROVED: \_\_\_\_\_

SCALE: NTS SHEET 1 OF 1