

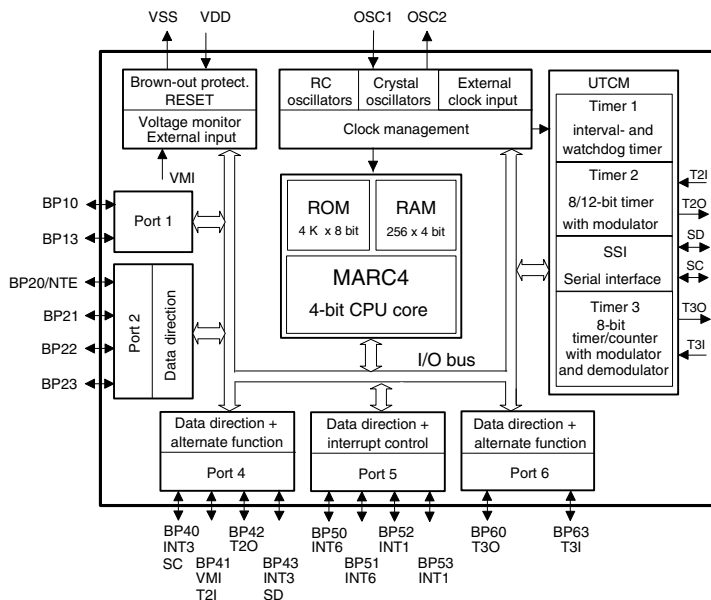
## Features

- Extended Temperature Range for High Temperature up to 105°C
- 4-Kbyte ROM, 256 × 4-bit RAM
- 16 Bi-directional I/Os
- Up to 7 External/Internal Interrupt Sources
- Multifunction Timer/Counter with
  - IR Remote Control Carrier Generator
  - Bi-phase, Manchester and Pulse-width Modulator and Demodulator
  - Phase Control Function
- Programmable System Clock with Prescaler and Five Different Clock Sources
- Wide Supply-voltage Range (1.8V to 6.5V)
- Very Low Sleep Current (< 1 µA)
- 32 × 16-bit EEPROM (ATAR892-C only)
- Synchronous Serial Interface (2-wire, 3-wire)
- Watchdog, POR and Brown-out Function
- Voltage Monitoring Inclusive Lo\_BAT Detect
- Flash Controller ATAM893 Available (SSO20)

## 1. Description

The ATAR092-C and ATAR892-C are members of Atmel's family of 4-bit single-chip microcontrollers. They offer the highest integration for IR and RF data communication, remote-control and phase-control applications. The ATAR092-C and ATAR892-C are suitable as transmitters as well as receivers. They contain ROM, RAM, parallel I/O ports, two 8-bit programmable multifunction timer/counters with modulator and demodulator function, voltage supervision, interval timer with watchdog function and a sophisticated on-chip clock generation with external clock input, integrated RC-, 32-kHz crystal- and 4-MHz crystal-oscillators. The ATAR892-C has an additional EEPROM as a second chip in one package.

Figure 1-1. Block Diagram



## Low-current Microcontroller for Wireless Communication

## ATAR092-C ATAR892-C



## 2. Pin Configuration

Figure 2-1. Pinning SSO20

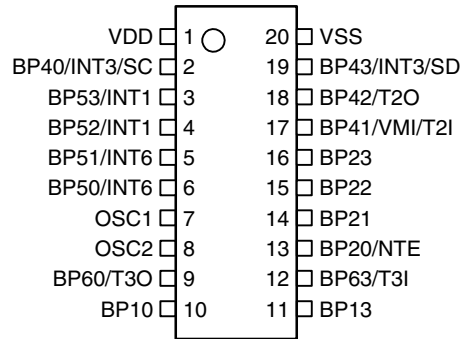


Table 2-1. Pin Description

Name	Type	Function	Alternate Function	Pin No.	Reset State
VDD	–	Supply voltage	–	1	NA
VSS	–	Circuit ground	–	20	NA
BP10	I/O	Bi-directional I/O line of Port 1.0	–	10	Input
BP13	I/O	Bi-directional I/O line of Port 1.3	–	11	Input
BP20	I/O	Bi-directional I/O line of Port 2.0	NTE-test mode enable, see section “Master Reset”	13	Input
BP21	I/O	Bi-directional I/O line of Port 2.1	–	14	Input
BP22	I/O	Bi-directional I/O line of Port 2.2	–	15	Input
BP23	I/O	Bi-directional I/O line of Port 2.3	–	16	Input
BP40	I/O	Bi-directional I/O line of Port 4.0	SC-serial clock or INT3 external interrupt input	2	Input
BP41	I/O	Bi-directional I/O line of Port 4.1	VMI voltage monitor input or T2I external clock input Timer 2	17	Input
BP42	I/O	Bi-directional I/O line of Port 4.2	T2O Timer 2 output	18	Input
BP43	I/O	Bi-directional I/O line of Port 4.3	SD serial data I/O or INT3-external interrupt input	19	Input
BP50	I/O	Bi-directional I/O line of Port 5.0	INT6 external interrupt input	6	Input
BP51	I/O	Bi-directional I/O line of Port 5.1	INT6 external interrupt input	5	Input
BP52	I/O	Bi-directional I/O line of Port 5.2	INT1 external interrupt input	4	Input
BP53	I/O	Bi-directional I/O line of Port 5.3	INT1 external interrupt input	3	Input
BP60	I/O	Bi-directional I/O line of Port 6.0	T3O Timer 3 output	9	Input
BP63	I/O	Bi-directional I/O line of Port 6.3	T3I Timer 3 input	12	Input
OSC1	I	Oscillator input	4-MHz crystal input or 32-kHz crystal input or external clock input or external trimming resistor input	7	Input
OSC2	O	Oscillator output	4-MHz crystal output or 32-kHz crystal output or external clock input	8	NA

## 3. Introduction

The ATAR092-C/ATAR892-C are members of Atmel's family of 4-bit single-chip microcontrollers. They contain ROM, RAM, parallel I/O ports, two 8-bit programmable multi-function timer/counters, voltage supervision, interval timer with watchdog function, a sophisticated on-chip clock generation with integrated RC-, 32-kHz crystal- and 4-MHz crystal oscillators.

**Table 3-1.** Available Variants of ATAx9x

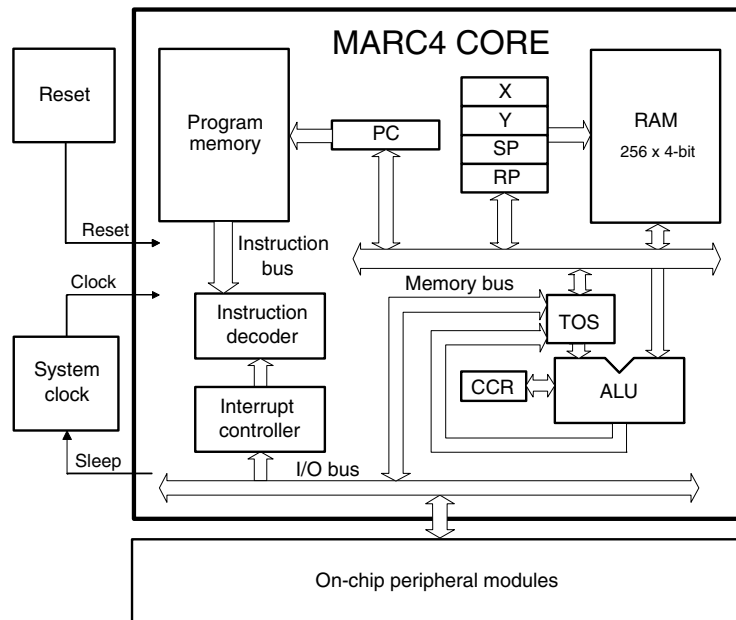
Version	Type	ROM	E2PROM Peripheral	Packages
Flash device	ATAM893	4-Kbyte EEPROM	64 byte	SSO20
Production	ATAR092-C	4-Kbyte mask ROM	–	SSO20
Production	ATAR892-C	4-Kbyte mask ROM	64 byte	SSO20

## 4. MARC4 Architecture

### 4.1 General Description

The MARC4 microcontroller consists of an advanced stack-based, 4-bit CPU core and on-chip peripherals. The CPU is based on the HARVARD architecture with physically separate program memory (ROM) and data memory (RAM). Three independent buses, the instruction bus, the memory bus and the I/O bus, are used for parallel communication between ROM, RAM and peripherals. This enhances program execution speed by allowing both instruction prefetching, and a simultaneous communication to the on-chip peripheral circuitry. The extremely powerful integrated interrupt controller with associated eight prioritized interrupt levels supports fast and efficient processing of hardware events. The MARC4 is designed for the high-level programming language qFORTH. The core includes both an expression and a return stack. This architecture enables high-level language programming without any loss of efficiency or code density.

**Figure 4-1.** MARC4 Core



## 4.2 Components of MARC4 Core

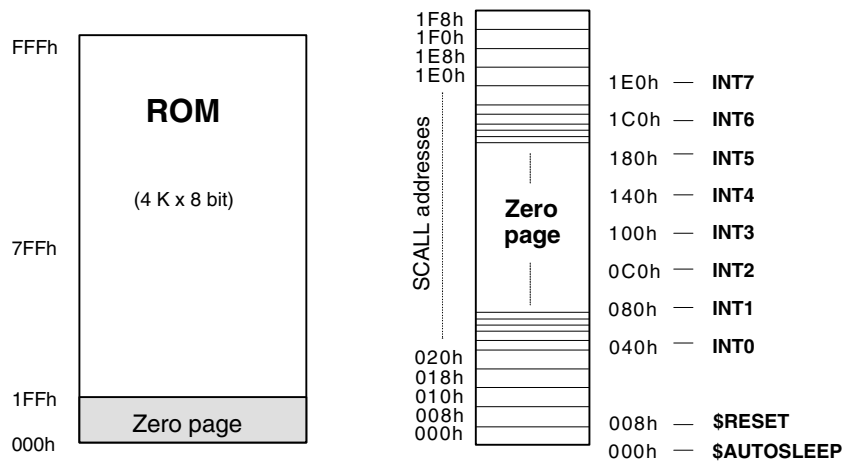
The core contains ROM, RAM, ALU, a program counter, RAM address registers, an instruction decoder and an interrupt controller. The following sections describe each functional block in more detail.

### 4.2.1 ROM

The program memory (ROM) is mask programmed with the customer application program during the fabrication of the microcontroller. The 4 Kbyte ROM size is addressed by a 12-bit wide program counter. An additional 1 Kbyte of ROM exists which is reserved for quality control self-test software. The lowest user ROM address segment is taken up by a 512-byte zero page which contains predefined start addresses for interrupt service routines and special subroutines accessible with single byte instructions (SCALL).

The corresponding memory map is shown in Figure 4-2. Look-up tables of constants can also be held in ROM and are accessed via the MARC4's built-in table instruction.

**Figure 4-2.** ROM Map



### 4.2.2 RAM

The ATAR092-C and ATAR892-C contain  $256 \times 4$ -bit wide static random access memory (RAM). It is used for the expression stack, the return stack and data memory for variables and arrays. The RAM is addressed by any of the four 8-bit wide RAM address registers SP, RP, X and Y.

#### 4.2.2.1 Expression Stack

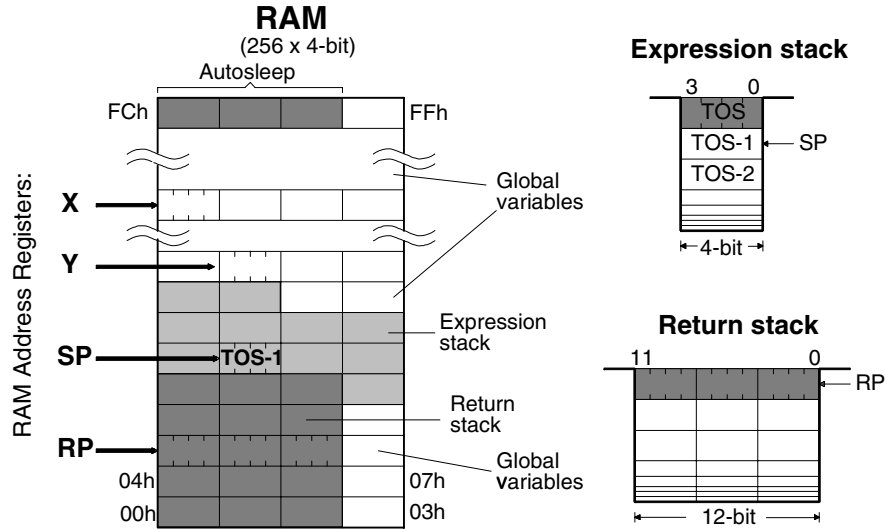
The 4-bit wide expression stack is addressed with the expression stack pointer (SP). All arithmetic, I/O and memory reference operations take their operands from, and return their results to the expression stack. The MARC4 performs the operations with the top of stack items (TOS and TOS-1). The TOS register contains the top element of the expression stack and works in the same way as an accumulator. This stack is also used for passing parameters between subroutines and as a scratch pad area for temporary storage of data.

## 4.2.2.2 Return Stack

The 12-bit wide return stack is addressed by the return stack pointer (RP). It is used for storing return addresses of subroutines, interrupt routines and for keeping loop index counts. The return stack can also be used as a temporary storage area.

The MARC4 instruction set supports the exchange of data between the top elements of the expression stack and the return stack. The two stacks within the RAM have a user definable location and maximum depth.

**Figure 4-3.** RAM Map



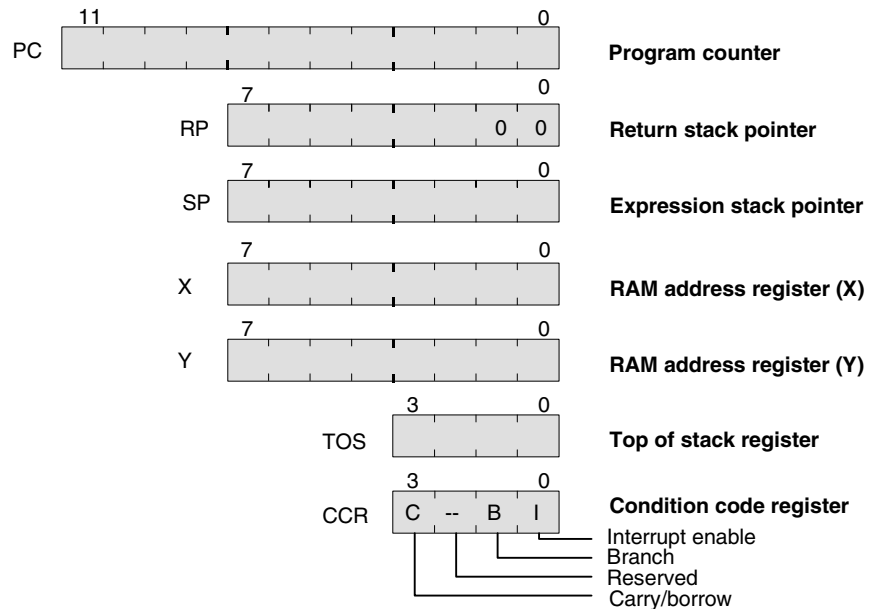
## 4.2.3 Registers

The MARC4 controller has seven programmable registers and one condition code register. They are shown in the following programming model (Figure 4-4 on page 6).

### 4.2.3.1 Program Counter (PC)

The program counter is a 12-bit register which contains the address of the next instruction to be fetched from ROM. Instructions currently being executed are decoded in the instruction decoder to determine the internal micro-operations. For linear code (no calls or branches) the program counter is incremented with every instruction cycle. If a branch-, call-, return-instruction or an interrupt is executed, the program counter is loaded with a new address. The program counter is also used with the table instruction to fetch 8-bit wide ROM constants.

**Figure 4-4.** Programming Model



#### 4.2.3.2 RAM Address Registers

The RAM is addressed with four 8-bit wide RAM address registers: SP, RP, X and Y. These registers allow access to any of the 256 RAM nibbles.

#### 4.2.3.3 Expression Stack Pointer (SP)

The stack pointer contains the address of the next-to-top 4-bit item (TOS-1) of the expression stack. The pointer is automatically pre-incremented if a nibble is moved onto the stack or post-decremented if a nibble is removed from the stack. Every post-decrement operation moves the item (TOS-1) to the TOS register before the SP is decremented. After a reset the stack pointer has to be initialized with `>SP S0` to allocate the start address of the expression stack area.

#### 4.2.3.4 Return Stack Pointer (RP)

The return stack pointer points to the top element of the 12-bit wide return stack. The pointer automatically pre-increments if an element is moved onto the stack, or it post-decrements if an element is removed from the stack. The return stack pointer increments and decrements in steps of 4. This means that every time a 12-bit element is stacked, a 4-bit RAM location is left unwritten. This location is used by the qFORTH compiler to allocate 4-bit variables. After a reset the return stack pointer has to be initialized via `> RP FCh`.

#### 4.2.3.5 RAM Address Registers (X and Y)

The X and Y registers are used to address any 4-bit item in RAM. A fetch operation moves the addressed nibble onto the TOS. A store operation moves the TOS to the addressed RAM location. By using either the pre-increment or post-decrement addressing mode, arrays located in RAM can be compared, filled or moved

## 4.2.3.6 Top of Stack (TOS)

The top of stack register is the accumulator of the MARC4. All arithmetic/logic, memory reference and I/O operations use this register. The TOS register receives data from the ALU, ROM, RAM or I/O bus.

## 4.2.3.7 Condition Code Register (CCR)

The 4-bit wide condition code register contains the branch, the carry and the interrupt enable flag. These bits indicate the current state of the CPU. The CCR flags are set or reset by ALU operations. The instructions SET\_BCF, TOG\_BF, CCR! and DI allow direct manipulation of the condition code register.

## 4.2.3.8 Carry/Borrow (C)

The carry/borrow flag indicates that the borrowing or carrying out of Arithmetic Logic Unit (ALU) occurred during the last arithmetic operation. During shift and rotate operations, this bit is used as a fifth bit. Boolean operations have no effect on the C-flag.

## 4.2.3.9 Branch (B)

The branch flag controls conditional program branching. Should the branch flag have been set by a previous instruction, a conditional branch will cause a jump. This flag is affected by arithmetic, logic, shift, and rotate operations.

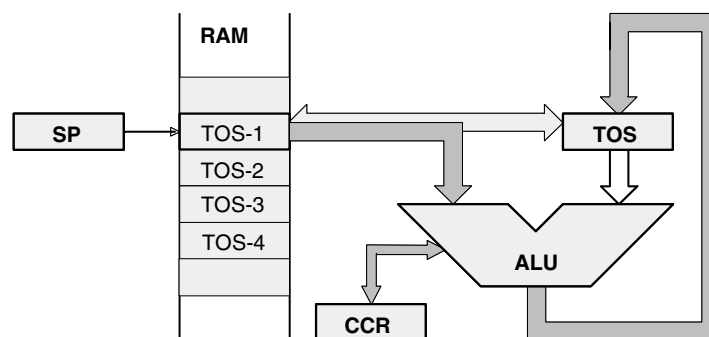
## 4.2.3.10 Interrupt Enable (I)

The interrupt enable flag globally enables or disables the triggering of all interrupt routines with the exception of the non-maskable reset. After a reset or while executing the DI instruction, the interrupt enable flag is reset, thus disabling all interrupts. The core will not accept any further interrupt requests until the interrupt enable flag has been set again by either executing an EI or SLEEP instruction.

## 4.2.4 ALU

The 4-bit ALU performs all the arithmetic, logical, shift and rotate operations with the top two elements of the expression stack (TOS and TOS-1) and returns the result to the TOS. The ALU operations affect the carry/borrow and branch flag in the condition code register (CCR).

**Figure 4-5.** ALU Zero-address Operations



#### 4.2.5 I/O Bus

The I/O ports and the registers of the peripheral modules are I/O mapped. All communication between the core and the on-chip peripherals takes place via the I/O bus and the associated I/O control. With the MARC4 IN and OUT instructions the I/O bus allows a direct read or write access to one of the 16 primary I/O addresses. More about the I/O access to the on-chip peripherals is described in the section “Peripheral Modules”. The I/O bus is internal and is not accessible by the customer on the final microcontroller device, but it is used as the interface for the MARC4 emulation (see also the section “Emulation”).

#### 4.2.6 Instruction Set

The MARC4 instruction set is optimized for the high level programming language qFORTH. Many MARC4 instructions are qFORTH words. This enables the compiler to generate a fast and compact program code. The CPU has an instruction pipeline allowing the controller to prefetch an instruction from ROM at the same time as the present instruction is being executed. The MARC4 is a zero-address machine, the instructions contain only the operation to be performed and no source or destination address fields. The operations are implicitly performed on the data placed on the stack. There are one and two byte instructions which are executed within 1 to 4 machine cycles. A MARC4 machine cycle is made up of two system clock cycles (SYSCL). Most of the instructions are only one byte long and are executed in a single machine cycle. For more information refer to the “MARC4 Programmer’s Guide”.

#### 4.2.7 Interrupt Structure

The MARC4 can handle interrupts with eight different priority levels. They can be generated from the internal and external interrupt sources or by a software interrupt from the CPU itself. Each interrupt level has a hard-wired priority and an associated vector for the service routine in the ROM (see [Table 3-1 on page 3](#)). The programmer can postpone the processing of interrupts by resetting the interrupt enable flag (I) in the CCR. An interrupt occurrence will still be registered, but the interrupt routine only started after the I flag is set. All interrupts can be masked, and the priority individually software configured by programming the appropriate control register of the interrupting module (see section “Peripheral Modules”).

##### 4.2.7.1 *Interrupt Processing*

For processing the eight interrupt levels, the MARC4 includes an interrupt controller with two 8-bit wide interrupt pending and interrupt active registers. The interrupt controller samples all interrupt requests during every non-I/O instruction cycle and latches these in the interrupt pending register. If no higher priority interrupt is present in the interrupt active register, it signals the CPU to interrupt the current program execution. If the interrupt enable bit is set, the processor enters an interrupt acknowledge cycle. During this cycle a short call (SCALL) instruction to the service routine is executed and the current PC is saved on the return stack.

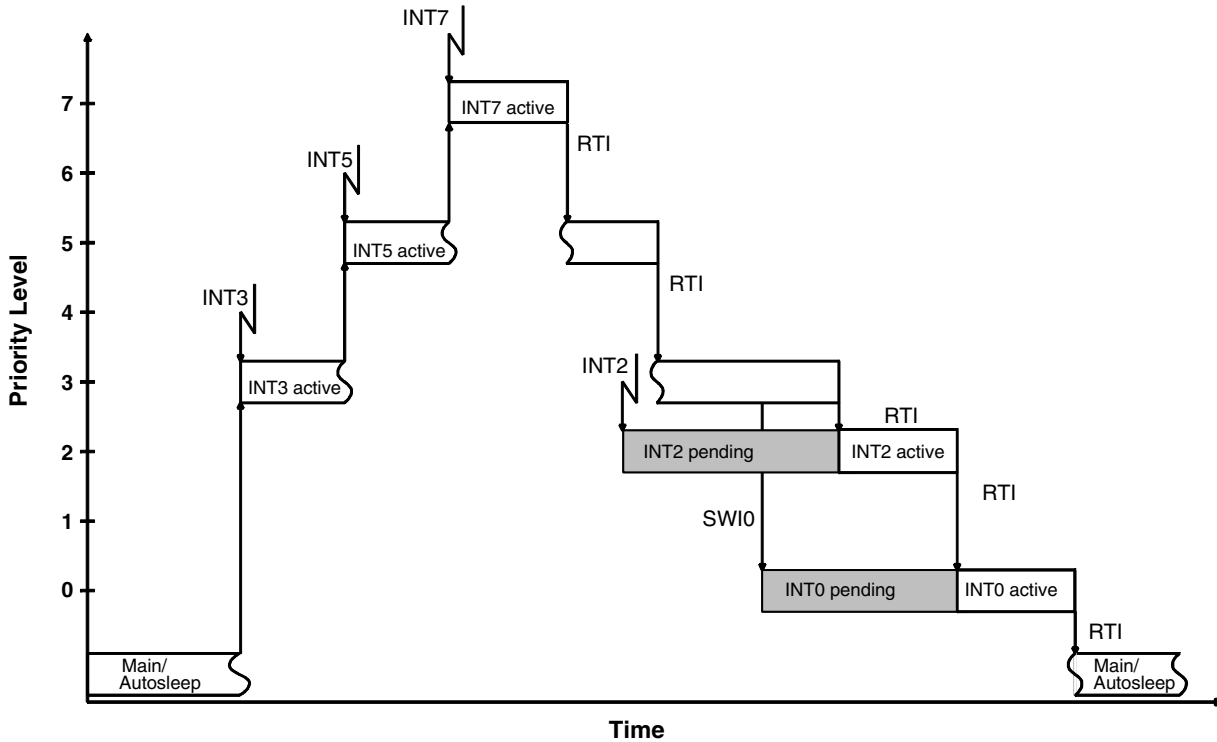
An interrupt service routine is completed with the RTI instruction. This instruction resets the corresponding bits in the interrupt pending/active register and fetches the return address from the return stack to the program counter. When the interrupt enable flag is reset (triggering of interrupt routines are disabled), the execution of new interrupt service routines is inhibited but not the logging of the interrupt requests in the interrupt pending register. The execution of the interrupt is delayed until the interrupt enable flag is set again. Note that interrupts are only lost if an interrupt request occurs while the corresponding bit in the pending register is still set (i.e., the interrupt service routine is not yet finished).



## 4.2.7.2 Interrupt Latency

The interrupt latency is the time from the occurrence of the interrupt to the interrupt service routine being activated. In MARC4 this is extremely short (taking between 3 to 5 machine cycles depending on the state of the core).

**Figure 4-6.** Interrupt Handling



**Table 4-1.** Interrupt Priority Table

Interrupt	Priority	ROM Address	Interrupt Opcode	Function
INT0	Lowest	040h	C8h (SCALL 040h)	Software interrupt (SWI0)
INT1		080h	D0h (SCALL 080h)	External hardware interrupt, any edge at BP52 or BP53
INT2		0C0h	D8h (SCALL 0C0h)	Timer 1 interrupt
INT3		100h	E8h (SCALL 100h)	SSI interrupt or external hardware interrupt at BP40 or BP43
INT4		140h	E8h (SCALL 140h)	Timer 2 interrupt
INT5		180h	F0h (SCALL 180h)	Timer 3 interrupt
INT6	↓	1C0h	F8h (SCALL 1C0h)	External hardware interrupt, at any edge at BP50 or BP51
INT7	Highest	1E0h	FCh (SCALL 1E0h)	Voltage Monitor (VM) interrupt

**Table 4-2.** Hardware Interrupts

Interrupt	Interrupt Mask		Interrupt Source
	Register	Bit	
INT1	P5CR	P52M1, P52M2 P53M1, P53M2	Any edge at BP52 any edge at BP53
INT2	T1M	T1IM	Timer 1
INT3	SISC	SIM	SSI buffer full/empty or BP40/BP43 interrupt
INT4	T2CM	T2IM	Timer 2 compare match/overflow
INT5	T3CM1 T3CM2 T3C	T3IM1 T3IM2 T3EIM	Timer 3 compare register 1 match Timer 3 compare register 2 match Timer 3 edge event occurs (T3I)
INT6	P5CR	P50M1, P50M2 P51M1, P51M2	Any edge at BP50, any edge at BP51
INT7	VCM	VIM	External/internal voltage monitoring

#### 4.2.7.3 Software Interrupts

The programmer can generate interrupts by using the software interrupt instruction (SWI) which is supported in qFORTH by predefined macros named SWI0...SWI7. The software triggered interrupt operates exactly like any hardware triggered interrupt. The SWI instruction takes the top two elements from the expression stack and writes the corresponding bits via the I/O bus to the interrupt pending register. Therefore, by using the SWI instruction, interrupts can be re-prioritized or lower priority processes scheduled for later execution.

#### 4.2.7.4 Hardware Interrupts

In the ATAR092-C, there are eleven hardware interrupt sources with seven different levels. Each source can be masked individually by mask bits in the corresponding control registers. An overview of the possible hardware configurations is shown in [Table 4-2](#).

### 4.3 Master Reset

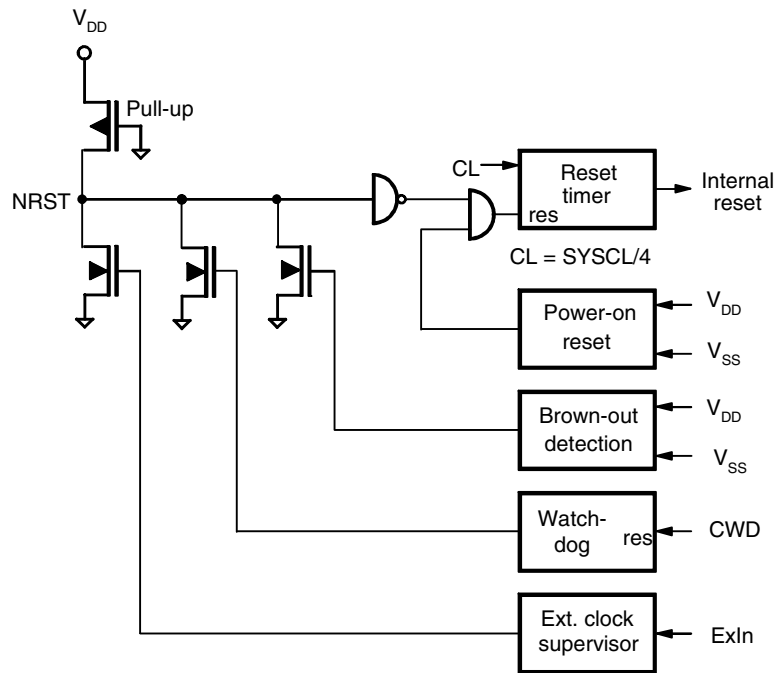
The master reset forces the CPU into a well-defined condition. It is unmaskable and is activated independent of the current program state. It can be triggered by either initial supply power-up, a short collapse of the power supply, brown-out detection circuitry, watchdog time-out, or an external input clock supervisor stage (see [Figure 4-7 on page 11](#)).

A master reset activation will reset the interrupt enable flag, the interrupt pending register and the interrupt active register. During the power-on reset phase the I/O bus control signals are set to reset mode thereby initializing all on-chip peripherals. All bi-directional ports are set to input mode.

**Attention:** During any reset phase, the BP20/NTE input is driven towards  $V_{DD}$  by an additional internal strong pull-up transistor. This pin must not be pulled down to  $V_{SS}$  during reset by any external circuitry representing a resistor of less than 150 k $\Omega$ .

Releasing the reset results in a short call instruction (opcode C1h) to the ROM address 008h. This activates the initialization routine \$RESET which in turn has to initialize all necessary RAM variables, stack pointers and peripheral configuration registers (see [Table 5-1 on page 22](#)).

**Figure 4-7. Reset Configuration**



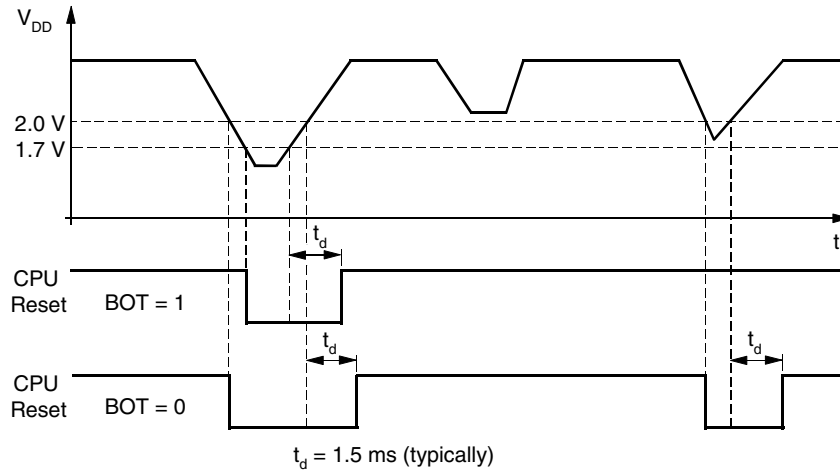
### 4.3.1 Power-on Reset and Brown-out Detection

The ATAR092-C/ATAR892-C have a fully integrated power-on reset and brown-out detection circuitry. For reset generation no external components are needed.

These circuits ensure that the core is held in the reset state until the minimum operating supply voltage has been reached. A reset condition will also be generated should the supply voltage drop momentarily below the minimum operating level except when a power down mode is activated (the core is in SLEEP mode and the peripheral clock is stopped). In this power-down mode the brown-out detection is disabled. Two values for the brown-out voltage threshold are programmable via the BOT bit in the SC register.

A power-on reset pulse is generated by a  $V_{DD}$  rise across the default BOT voltage level (1.7V). A brown-out reset pulse is generated when  $V_{DD}$  falls below the brown-out voltage threshold. Two values for the brown-out voltage threshold are programmable via the BOT bit in the SC register. When the controller runs in the upper supply voltage range with a high system clock frequency, the high threshold must be used. When it runs with a lower system clock frequency, the low threshold and a wider supply voltage range may be chosen. For further details, see the electrical specification and the SC register description for BOT programming.

**Figure 4-8.** Brown-out Detection



BOT = 1, low brown-out voltage threshold 1.7 V (is reset value).  
 BOT = 0, high brown-out voltage threshold 2.0 V.

#### 4.3.2 Watchdog Reset

The watchdog's function can be enabled at the WDC register and triggers a reset with every watchdog counter overflow. To suppress the watchdog reset, the watchdog counter must be regularly reset by reading the watchdog register address (CWD). The CPU reacts in exactly the same manner as a reset stimulus from any of the above sources.

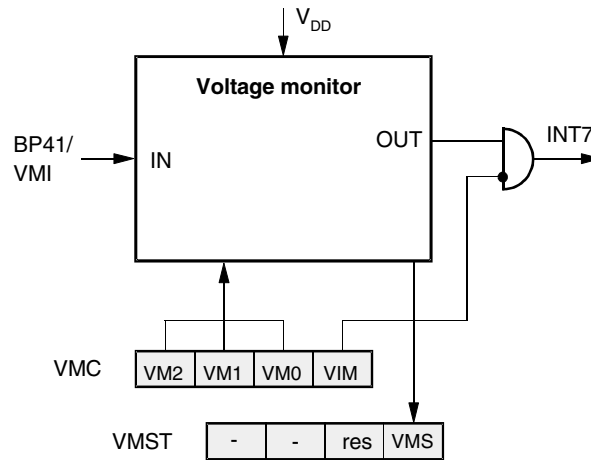
#### 4.3.3 External Clock Supervisor

The external input clock supervisor function can be enabled if the external input clock is selected within the CM and SC registers of the clock module. The CPU reacts in exactly the same manner as a reset stimulus from any of the above sources.

### 4.4 Voltage Monitor

The voltage monitor consists of a comparator with internal voltage reference. It is used to supervise the supply voltage or an external voltage at the VMI pin. The comparator for the supply voltage has three internal programmable thresholds: one lower threshold (2.2V), one middle threshold (2.6V), and one higher threshold (3.0V). For external voltages at the VMI pin, the comparator threshold is set to  $V_{BG} = 1.3V$ . The VMS bit indicates if the supervised voltage is below (VMS = 0) or above (VMS = 1) this threshold. An interrupt can be generated when the VMS bit is set or reset to detect a rising or falling slope. A voltage monitor interrupt (INT7) is enabled when the interrupt mask bit (VIM) is reset in the VMC-register.

**Figure 4-9.** Voltage Monitor



### 4.4.1 Voltage Monitor Control/Status Register

Primary register address: 'F'hex

	Bit 3	Bit 2	Bit 1	Bit 0	
<b>VMC: Write</b>	<b>VM2</b>	<b>VM1</b>	<b>VM0</b>	<b>VIM</b>	<b>Reset value: 1111b</b>
<b>VMST: Read</b>	-	-	reserved	<b>VMS</b>	<b>Reset value: xx11b</b>

**VM2:** Voltage monitor Mode bit 2

**VM1:** Voltage monitor Mode bit 1

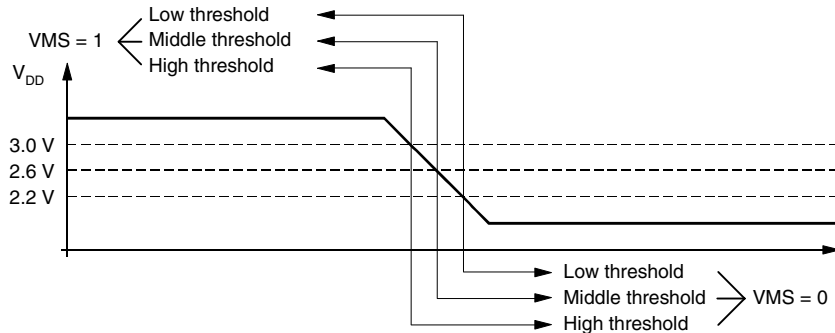
**VM0:** Voltage monitor Mode bit 0

**Table 4-3.** Voltage Monitor Modes

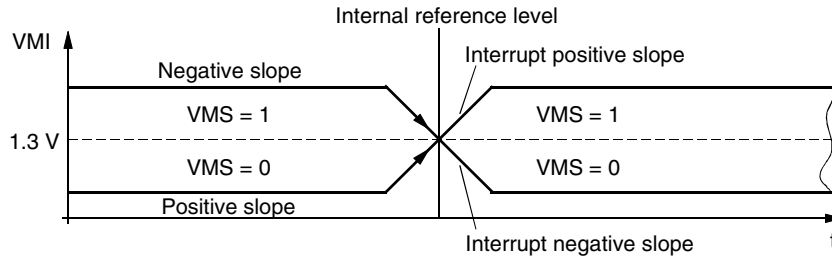
VM2	VM1	VM0	Function
1	1	1	Disable voltage monitor
1	1	0	External (VIM input), internal reference threshold (1.3 V), interrupt with negative slope
1	0	1	Not allowed
1	0	0	External (VMI input), internal reference threshold (1.3 V), interrupt with positive slope
0	1	1	Internal (supply voltage), high threshold (3.0 V), interrupt with negative slope
0	1	0	Internal (supply voltage), middle threshold (2.6 V), interrupt with negative slope
0	0	1	Internal (supply voltage), low threshold (2.2 V), interrupt with negative slope
0	0	0	Not allowed

- VIM** Voltage Interrupt Mask bit  
 VIM = 0, voltage monitor interrupt is enabled  
 VIM = 1, voltage monitor interrupt is disabled
- VMS** Voltage Monitor Status bit  
 VMS = 0, the voltage at the comparator input is below  $V_{Ref}$   
 VMS = 1, the voltage at the comparator input is above  $V_{Ref}$

**Figure 4-10.** Internal Supply Voltage Supervisor



**Figure 4-11.** External Input Voltage Supervisor



## 4.5 Clock Generation

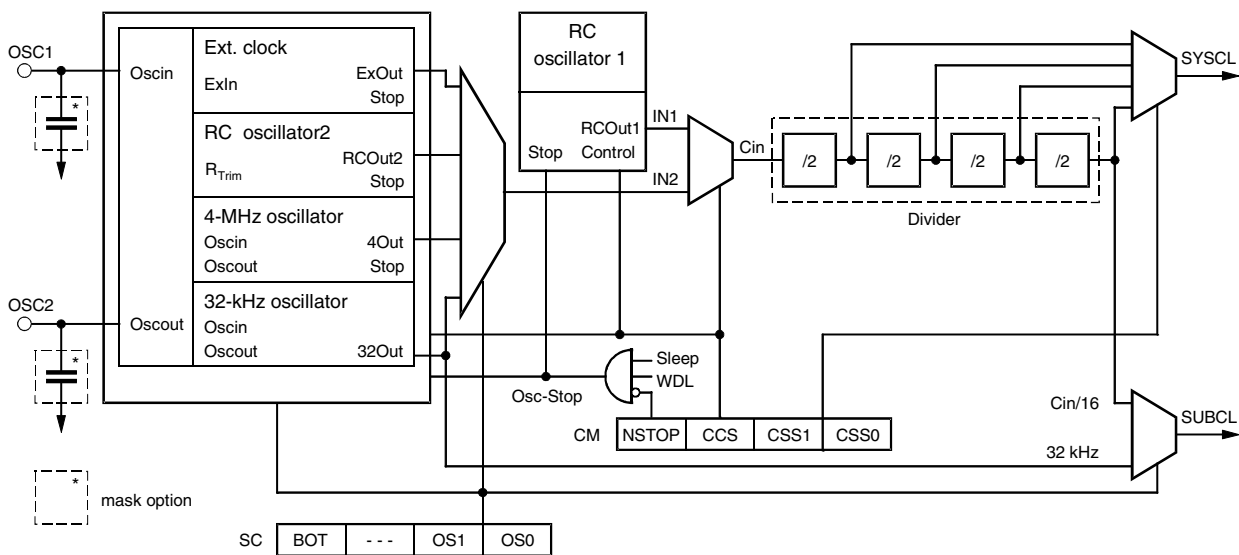
### 4.5.1 Clock Module

The ATAR092-C/ATAR892-C contains a clock module with 4 different internal oscillator types: two RC-oscillators, one 4-MHz crystal oscillator and one 32-kHz crystal oscillator. The pins OSC1 and OSC2 are the interface to connect a crystal either to the 4-MHz, or to the 32-kHz crystal oscillator. OSC1 can be used as input for external clocks or to connect an external trimming resistor for the RC-oscillator 2. All necessary circuitry except the crystal and the trimming resistor is integrated on-chip. One of these oscillator types or an external input clock can be selected to generate the system clock (SYSCL).

In applications that do not require exact timing, it is possible to use the fully integrated RC-oscillator 1 without any external components. The RC-oscillator 1 center frequency tolerance is better than  $\pm 50\%$ . The RC-oscillator 2 is a trimmable oscillator whereby the oscillator frequency can be trimmed with an external resistor attached between OSC1 and  $V_{DD}$ . In this configuration, the RC-oscillator 2 frequency can be maintained in a stable state with a tolerance of  $\pm 15\%$  over the full operating temperature and voltage range.

The clock module is programmable via software with the clock management register (CM) and the system configuration register (SC). The required oscillator configuration can be selected with the OS1 bit and the OS0 bit in the SC register. A programmable 4-bit divider stage allows the adjustment of the system clock speed. A special feature of the clock management is that an external oscillator may be used and switched on and off via a port pin for the power-down mode. Before the external clock is switched off, the internal RC-oscillator 1 must be selected with the CCS bit and then the SLEEP mode may be activated. In this state an interrupt can wake up the controller with the RC-oscillator, and the external oscillator can be activated and selected by software. A synchronization stage avoids too short clock periods if the clock source or the clock speed is changed. If an external input clock is selected, a supervisor circuit monitors the external input and generates a hardware reset if the external clock source fails or drops below 500 kHz for more than 1 ms.

**Figure 4-12.** Clock Module



**Table 4-4.** Clock Modes

Mode	OS1	OS0	Clock Source for SYSCL		Clock Source for SUBCL
			CCS = 1	CCS = 0	
1	1	1	RC-oscillator 1 (internal)	External input clock	$C_{in}/16$
2	0	1	RC-oscillator 1 (internal)	RC-oscillator 2 with external trimming resistor	$C_{in}/16$
3	1	0	RC-oscillator 1 (internal)	4-MHz oscillator	$C_{in}/16$
4	0	0	RC-oscillator 1 (internal)	32-kHz oscillator	32 kHz

The clock module generates two output clocks. One is the system clock (SYSCL) and the other the periphery (SUBCL). The SYSCL can supply the core and the peripherals and the SUBCL can supply only the peripherals with clocks. The modes for clock sources are programmable with the OS1 bit and OS0 bit in the SC register and the CCS bit in the CM register.

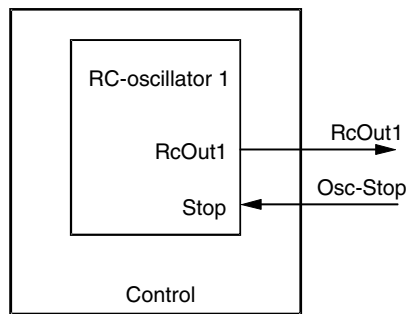
#### 4.5.2 Oscillator Circuits and External Clock Input Stage

The ATAR092-C/ATAR892-C series consists of four different internal oscillators: two RC-oscillators, one 4-MHz crystal oscillator, one 32-kHz crystal oscillator and one external clock input stage.

##### 4.5.2.1 RC-oscillator 1 Fully Integrated

For timing insensitive applications, it is possible to use the fully integrated RC oscillator 1. It operates without any external components and saves additional costs. The RC-oscillator 1 center frequency tolerance is better than  $\pm 50\%$  over the full temperature and voltage range. The basic center frequency of the RC-oscillator 1 is  $f_0 \approx 3.8$  MHz. The RC oscillator 1 is selected by default after power-on reset.

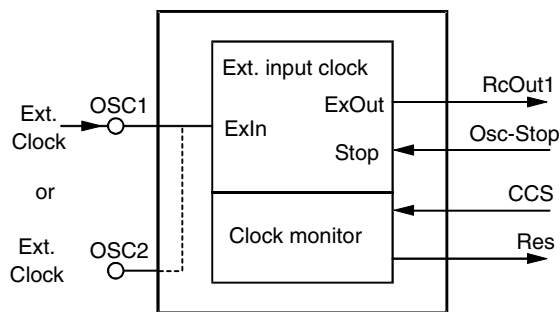
**Figure 4-13.** RC-oscillator 1



##### 4.5.2.2 External Input Clock

The OSC1 or OSC2 (mask option) can be driven by an external clock source provided it meets the specified duty cycle, rise and fall times and input levels. Additionally the external clock stage contains a supervisory circuit for the input clock. The supervisor function is controlled via OS1, OS0 bit in the SC register and the CCS bit in the CM register. If the external input clock is missing for more than 1 ms and CCS = 0 is set in the CM register, the supervisory circuit generates a hardware reset.

**Figure 4-14.** External Input Clock





**Table 4-5.** Supervisor Function Control Bits

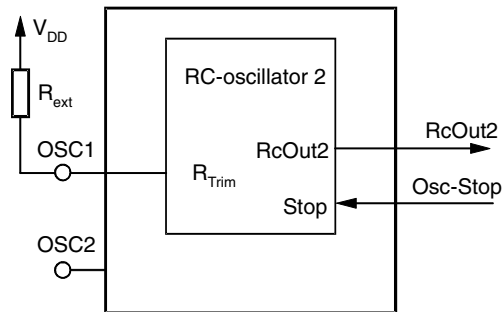
OS1	OS0	CCS	Supervisor Reset Output (Res)
1	1	0	Enable
1	1	1	Disable
x	0	x	Disable

### 4.5.2.3 RC-oscillator 2 with External Trimming Resistor

The RC-oscillator 2 is a high resolution trimmable oscillator whereby the oscillator frequency can be trimmed with an external resistor between OSC1 and  $V_{DD}$ . In this configuration, the RC-oscillator 2 frequency can be maintained in a stable state with a tolerance of  $\pm 10\%$  over the full operating temperature range and stet voltage range  $V_{DD}$  from 2.5V to 6.0V.

For example: An output frequency at the RC-oscillator 2 of 2 MHz can be obtained by connect- ing a resistor  $R_{ext} = 360 \text{ k}\Omega$  (see [Figure 4-15](#)).

**Figure 4-15.** RC-oscillator 2

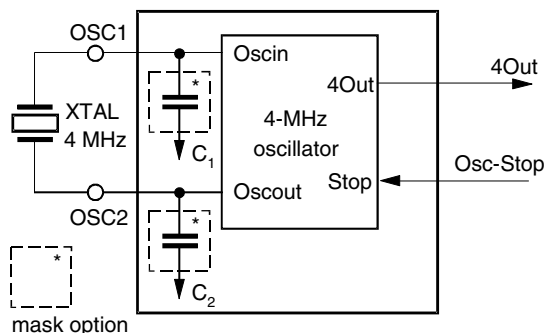


### 4.5.2.4 4-MHz Oscillator

The ATAR092-C/ATAR892-C 4-MHz oscillator options need a crystal or ceramic resonator con- nected to the OSC1 and OSC2 pins to establish oscillation.

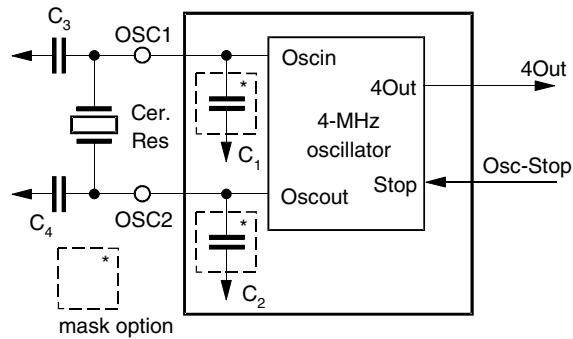
All the necessary oscillator circuitry is integrated, except the actual crystal, resonator,  $C_3$  and  $C_4$ .

**Figure 4-16.** 4-MHz Crystal Oscillator



**Note:** Both, the 4-MHz and the 32-kHz crystal oscillator, use an integrated 14 stage divider circuit to sta- bilize oscillation before the oscillator output is used as system clock. This results in an additional delay of about 4 ms for the 4-MHz crystal and about 500 ms for the 32-kHz crystal.

**Figure 4-17. Ceramic Resonator**

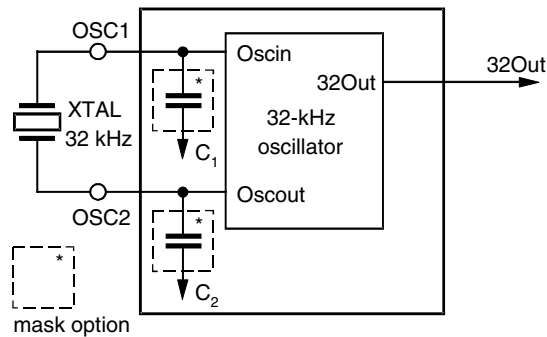


**Note:** Both, the 4-MHz and the 32-kHz crystal oscillator, use an integrated 14 stage divider circuit to stabilize oscillation before the oscillator output is used as system clock. This results in an additional delay of about 4 ms for the 4-MHz crystal and about 500 ms for the 32-kHz crystal.

#### 4.5.2.5 32-kHz Oscillator

Some applications require long-term time keeping or low resolution timing. In this case, an on-chip, low power 32-kHz crystal oscillator can be used to generate both the SUBCL and the SYSCL. In this mode, power consumption is greatly reduced. The 32-kHz crystal oscillator cannot be stopped while the power-down mode is in operation.

**Figure 4-18. 32-kHz Crystal Oscillator**



**Note:** Both, the 4-MHz and the 32-kHz crystal oscillator, use an integrated 14 stage divider circuit to stabilize oscillation before the oscillator output is used as system clock. This results in an additional delay of about 4 ms for the 4-MHz crystal and about 500 ms for the 32-kHz crystal.

## 4.5.3 Clock Management

The clock management register controls the system clock divider and synchronization stage. Writing to this register triggers the synchronization cycle.

### 4.5.3.1 Clock Management Register (CM)

Auxiliary register address: '3'hex

	Bit 3	Bit 2	Bit 1	Bit 0	
<b>CM</b>	<b>NSTOP</b>	<b>CCS</b>	<b>CSS1</b>	<b>CSS0</b>	<b>Reset value: 1111b</b>

**NSTOP** Not **STOP** peripheral clock  
 NSTOP = 0, stops the peripheral clock while the core is in SLEEP mode  
 NSTOP = 1, enables the peripheral clock while the core is in SLEEP mode

**CCS** Core **C**lock **S**elect  
 CCS = 1, the internal RC-oscillator 1 generates SYSCL  
 CCS = 0, the 4-Mhz crystal oscillator, the 32-kHz crystal oscillator, an external clock source or the RC-oscillator 2 with the external resistor at OSC1 generates SYSCL dependent on the setting of OS0 and OS1 in the system configuration register

**CSS1** Core Speed **S**elect **1**

**CSS0** Core Speed **S**elect **0**

**Table 4-6.** Core Speed Select

CSS1	CSS0	Divider	Note
0	0	16	
1	1	8	Reset value
1	0	4	
0	1	2	

### 4.5.3.2 System Configuration Register (SC)

Primary register address: '3'hex

	Bit 3	Bit 2	Bit 1	Bit 0	
<b>SC: write</b>	<b>BOT</b>	<b>-</b>	<b>OS1</b>	<b>OS0</b>	<b>Reset value: 1x11b</b>

**BOT** **B**rown-**O**ut **T**hreshold  
 BOT = 1, low brown-out voltage threshold (1.7 V)  
 BOT = 0, high brown-out voltage threshold (2.0 V)

**OS1** **O**scillator **S**elect **1**

**OS0** **O**scillator **S**elect **0**

**Table 4-7.** Oscillator Select

Mode	OS1	OS0	Input for SUBCL	Selected Oscillators
1	1	1	C <sub>in</sub> /16	RC-oscillator 1 and external input clock
2	0	1	C <sub>in</sub> /16	RC-oscillator 1 and RC-oscillator 2
3	1	0	C <sub>in</sub> /16	RC-oscillator 1 and 4-MHz crystal oscillator
4	0	0	32 kHz	RC-oscillator 1 and 32-kHz crystal oscillator

Note: If the bit CCS = 0 in the CM-register the RC-oscillator 1 always stops.

## 4.6 Power-down Modes

The sleep mode is a shut-down condition which is used to reduce the average system power consumption in applications where the microcontroller is not fully utilized. In this mode, the system clock is stopped. The sleep mode is entered via the SLEEP instruction. This instruction sets the interrupt enable bit (I) in the condition code register to enable all interrupts and stops the core. During the sleep mode the peripheral modules remain active and are able to generate interrupts. The microcontroller exits the sleep mode by carrying out any interrupt or a reset.

The sleep mode can only be maintained when none of the interrupt pending or active register bits are set. The application of the \$AUTOSLEEP routine ensures the correct function of the sleep mode. For standard applications use the \$AUTOSLEEP routine to enter the power-down mode. Using the SLEEP instruction instead of the \$AUTOSLEEP following an I/O instruction requires insertion of 3 non I/O instruction cycles (for example NOP NOP NOP) between the IN or OUT command and the SLEEP command.

The total power consumption is directly proportional to the active time of the microcontroller. For a rough estimation of the expected average system current consumption, the following formula should be used:

$$I_{\text{total}}(V_{\text{DD}}, f_{\text{syscl}}) = I_{\text{Sleep}} + (I_{\text{DD}} \times t_{\text{active}}/t_{\text{total}})$$

$I_{\text{DD}}$  depends on  $V_{\text{DD}}$  and  $f_{\text{syscl}}$

The ATAR092-C/ATAR892-C has various power-down modes. During the sleep mode the clock for the MARC4 core is stopped. With the NSTOP bit in the clock management register (CM) it is programmable if the clock for the on-chip peripherals is active or stopped during the sleep mode. If the clock for the core and the peripherals is stopped the selected oscillator is switched off. An exception is the 32-kHz oscillator, if it is selected it runs continuously independent of the NSTOP bit. If the oscillator is stopped or the 32-kHz oscillator is selected, power consumption is extremely low.

**Table 4-8.** Power-down Modes

Mode	CPU Core	Osc-Stop <sup>(1)</sup>	Brown-out Function	RC-Oscillator 1 RC-Oscillator 2 4-MHz Oscillator	32-kHz Oscillator	External Input Clock
Active	RUN	NO	Active	RUN	RUN	YES
Power-down	SLEEP	NO	Active	RUN	RUN	YES
SLEEP	SLEEP	YES	STOP	STOP	RUN	STOP

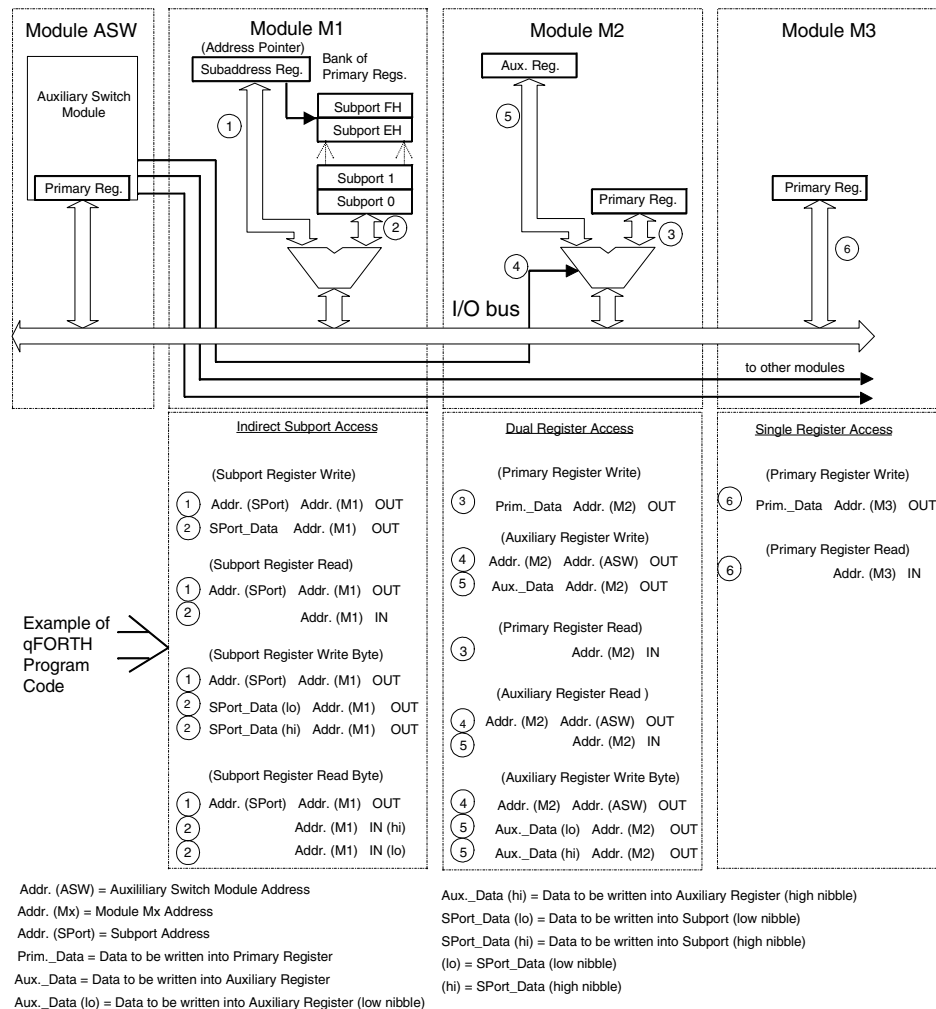
Note: 1. Osc-Stop = SLEEP and NSTOP and WDL

## 5. Peripheral Modules

### 5.1 Addressing Peripherals

Accessing the peripheral modules takes place via the I/O bus (see Figure 5-1). The IN or OUT instructions allow direct addressing of up to 16 I/O modules. A dual register addressing scheme has been adopted to enable direct addressing of the primary register. To address the auxiliary register, the access must be switched with an auxiliary switching module. Thus a single IN (or OUT) to the module address will read (or write into) the module primary register. Accessing the auxiliary register is performed with the same instruction preceded by writing the module address into the auxiliary switching module. Byte wide registers are accessed by multiple IN (or OUT) instructions. For more complex peripheral modules, with a larger number of registers, extended addressing is used. In this case, a bank of up to 16 subport registers are indirectly addressed with the subport address. The first OUT instruction writes the subport address to the sub address register, the second IN or OUT instruction reads data from or writes data to the addressed subport.

Figure 5-1. Example of I/O Addressing



**Table 5-1. Peripheral Addresses**

Port Address	Name	Write/Read	Reset Value	Register Function	Module Type	See Page	
1	P1DAT	W/R	1xx1b	Port 1 - data register/input data	M3	23	
2	P2DAT	W/R	1111b	Port 2 - data register/pin data	M2	25	
	Auxiliary P2CR	W	1111b	Port 2 - control register		25	
3	SC	W	1x11b	System configuration register	M3	19	
	CWD	R	xxxxb	Watchdog reset	M3	12	
	Auxiliary CM	W	1111b	Clock management register	M2	19	
4	P4DAT	W/R	1111b	Port 4 - data register/pin data	M2	29	
	Auxiliary P4CR	W	1111 1111b	Port 4 - control register (byte)		29	
5	P5DAT	W/R	1111b	Port 5 - data register/pin data	M2	27	
	Auxiliary P5CR	W	1111 1111b	Port 5 - control register (byte)		27	
6	P6DAT	W/R	1xx1b	Port 6 - data register/pin data	M2	30	
	Auxiliary P6CR	W	1111b	Port 6 - control register (byte)		30	
7	T12SUB	W	–	Data to Timer 1/2 subport	M1	21	
Subport address							
	0	T2C	W	0000b	Timer 2 control register	M1	43
	1	T2M1	W	1111b	Timer 2 mode register 1	M1	43
	2	T2M2	W	1111b	Timer 2 mode register 2	M1	45
	3	T2CM	W	0000b	Timer 2 compare mode register	M1	46
	4	T2CO1	W	1111b	Timer 2 compare register 1	M1	47
	5	T2CO2	W	1111 1111b	Timer 2 compare register 2 (byte)	M1	47
	6	–	–	–	Reserved		
	7	–	–	–	Reserved		
	8	T1C1	W	1111b	Timer 1 control register 1	M1	33
	9	T1C2	W	x111b	Timer 1 control register 2	M1	34
	A	WDC	W	1111b	Watchdog control register	M1	34
	B-F				Reserved		
8	ASW	W	1111b	Auxiliary/switch register	ASW	21	
9	STB	W	xxxx xxxxb	Serial transmit buffer (byte)	M2	72	
	SRB	R	xxxx xxxxb	Serial receive buffer (byte)		73	
	Auxiliary SIC1	W	1111b	Serial interface control register 1		70	
A	SISC	W/R	1x11b	Serial interface status/control register	M2	72	
	Auxiliary SIC2	W	1111b	Serial interface control register 2		71	
B	T3SUB	W/R	–	Data to/from Timer 3 subport	M1	21	
	Subport address						
	0	T3M	W	1111b	Timer 3 mode register	M1	57
	1	T3CS	W	1111b	Timer 3 clock select register	M1	59
	2	T3CM1	W	0000b	Timer 3 compare mode register 1	M1	60
	3	T3CM2	W	0000b	Timer 3 compare mode register 2	M1	60
	4	T3CO1	W	1111 1111b	Timer 3 compare register 1 (byte)	M1	61
	4	T3CP	R	xxxx xxxxb	Timer 3 capture register (byte)	M1	61
	5	T3CO2	W	1111 1111b	Timer 3 compare register 2 (byte)	M1	61
	6-F				Reserved		
C	T3C	W	0000b	Timer 3 control register	M3	58	
	T3ST	R	x000b	Timer 3 status register		58	
D	–			Reserved			
E	–			Reserved			
F	VMC	W	1111b	Voltage monitor control register	M3	13	
	VMST	R	xx11b	Voltage monitor status register		13	

## 5.2 Bi-directional Ports

With the exception of Port 1 and Port 6, all other ports (2, 4 and 5) are 4 bits wide. Port 1 and Port 6 have a data width of 2 bits (bit 0 and bit 3). All ports may be used for data input or output. All ports are equipped with Schmitt trigger inputs and a variety of mask options for open drain, open source, full complementary outputs, pull-up and pull-down transistors. All Port Data Registers (PxDAT) are I/O mapped to the primary address register of the respective port address and the Port Control Register (PxCR), to the corresponding auxiliary register.

There are five different directional ports available:

Port 1	2-bit wide bi-directional ports with automatic full bus width direction switching
Port 2	4-bit wide bitwise-programmable I/O port
Port 5	4-bit wide bitwise-programmable bi-directional port with optional strong pull-ups and programmable interrupt logic
Port 4	4-bit wide bitwise-programmable bi-directional port also provides the I/O interface to Timer 2, SSI, voltage monitor input and external interrupt input
Port 6	2-bit wide bitwise-programmable bi-directional port also provides the I/O interface to Timer 3 and the external interrupt input

### 5.2.1 Bi-directional Port 1

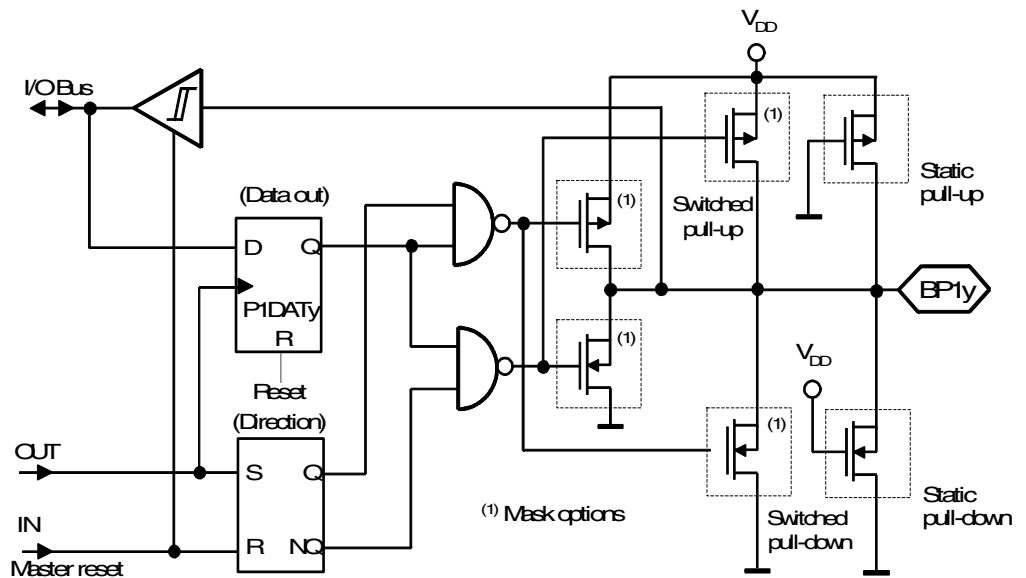
In Port 1 the data direction register is not independently software programmable, the direction of the complete port being switched automatically when an I/O instruction occurs (see [Figure 5-2 on page 24](#)). The port is switched to output mode via an OUT instruction and to input via an IN instruction. The data written to a port will be stored into the output data latches and appears immediately at the port pin following the OUT instruction. After RESET all output latches are set to 1 and the port is switched to input mode. An IN instruction reads the condition of the associated pins.

**Note:** Care must be taken when switching the bi-directional port from output to input. The capacitive pin loading at this port in conjunction with the high resistance pull-ups may cause the CPU to read the contents of the output data register rather than the external input state. To avoid this, one of the following programming techniques should be used:

Use two IN-instructions and DROP the first data nibble. The first IN switches the port from output to input and the DROP removes the first invalid nibble. The second IN reads the valid pin state.

Use an OUT-instruction followed by an IN-instruction. Via the OUT-instruction, the capacitive load is charged or discharged depending on the optional pull-up/pull-down configuration. Write a 1 for pins with pull-up resistors and a 0 for pins with pull-down resistors.

Figure 5-2. Bi-directional Port 1



### 5.2.2 Bi-directional Port 2

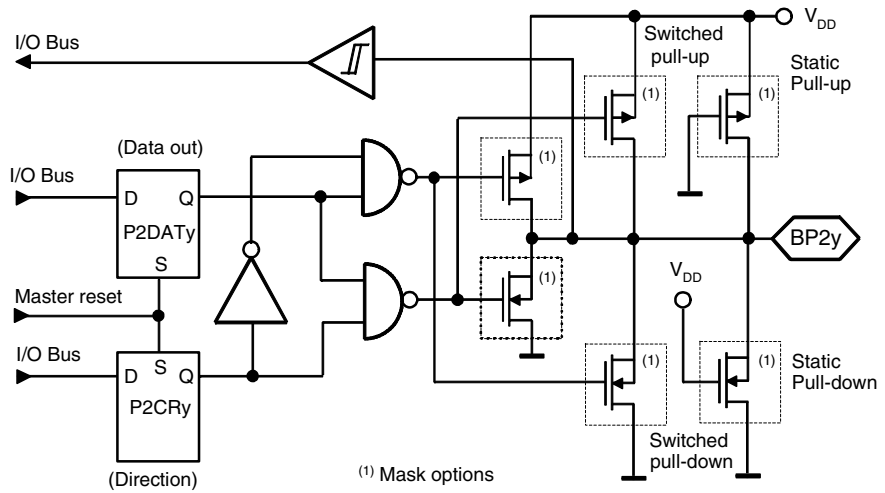
As all other bi-directional ports, this port includes a bitwise programmable Control Register (P2CR), which enables the individual programming of each port bit as input or output. It also opens up the possibility of reading the pin condition when in output mode. This is a useful feature for self testing and for serial bus applications.

Port 2, however, has an increased drive capability and an additional low resistance pull-up/-down transistor mask option.

Care should be taken connecting external components to BP20/NTE. During any reset phase, the BP20/NTE input is driven towards  $V_{DD}$  by an additional internal strong pull-up transistor. This pin must not be pulled down (active or passive) to  $V_{SS}$  during reset by any external circuitry representing a resistor of less than 150 k $\Omega$ . This prevents the circuit from unintended switching to test mode enable through the application circuitry at pin BP20/NTE. Resistors less than 150 k $\Omega$  might lead to an undefined state of the internal test logic thus disabling the application firmware. To avoid any conflict with the optional internal pull-down transistors, BP20 handles the pull-down options in a different way than all other ports. BP20 is the only port that switches off the pull-down transistors during reset.



**Figure 5-3.** Bi-directional Port 2



### 5.2.2.1 Port 2 Data Register (P2DAT)

Primary register address: '2'hex

	Bit 3	Bit 2	Bit 1	Bit 0	
<b>P2DAT</b>	<b>P2DAT3</b>	<b>P2DAT2</b>	<b>P2DAT1</b>	<b>P2DAT0</b>	<b>Reset value: 1111b</b>

Bit 3 = MSB, Bit 0 = LSB

### 5.2.2.2 Port 2 Control Register (P2CR)

Auxiliary register address: '2'hex

	Bit 3	Bit 2	Bit 1	Bit 0	
<b>P2CR</b>	<b>P2CR3</b>	<b>P2CR2</b>	<b>P2CR1</b>	<b>P2CR0</b>	<b>Reset value: 1111b</b>

Value 1111b means all pins in input mode

**Table 5-2.** Port 2 Control Register

<b>Code 3 2 1 0</b>	<b>Function</b>
x x x 1	BP20 in input mode
x x x 0	BP20 in output mode
x x 1 x	BP21 in input mode
x x 0 x	BP21 in output mode
x 1 x x	BP22 in input mode
x 0 x x	BP22 in output mode
1 x x x	BP23 in input mode
0 x x x	BP23 in output mode

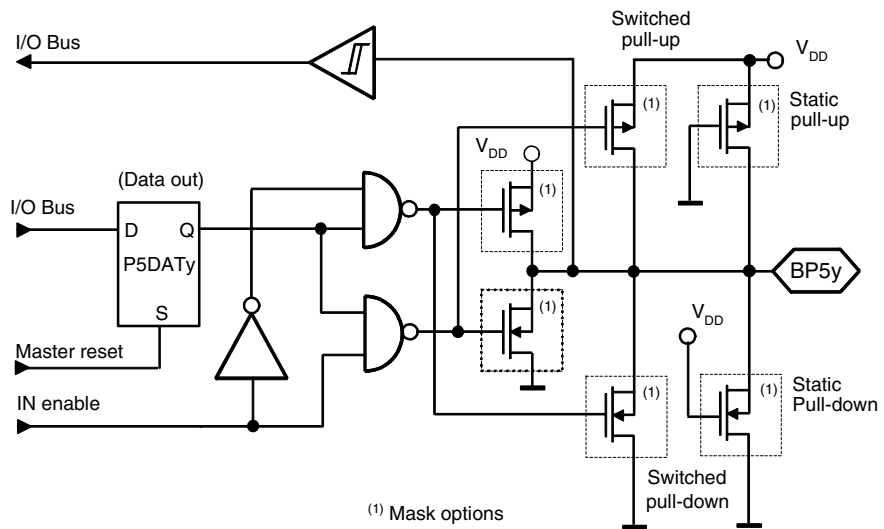
### 5.2.3 Bi-directional Port 5

As all other bi-directional ports, this port includes a bitwise programmable Control Register (P5CR), which allows the individual programming of each port bit as input or output. It also opens up the possibility of reading the pin condition when in output mode. This is a useful feature for self-testing and for serial bus applications.

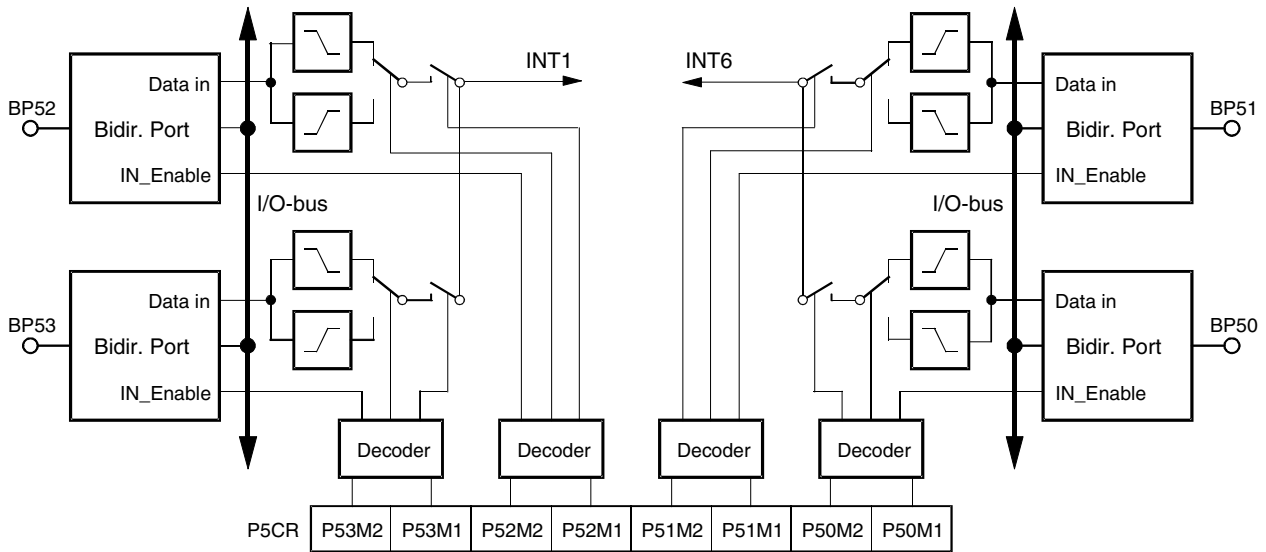
The port pins can also be used as external interrupt inputs (see [Figure 5-4](#) and [Figure 5-5 on page 27](#)). The interrupts (INT1 and INT6) can be masked or independently configured to trigger on either edge. The interrupt configuration and port direction is controlled by the Port 5 Control Register (P5CR). An additional low resistance pull-up/-down transistor mask option provides an internal bus pull-up for serial bus applications.

The Port 5 Data Register (P5DAT) is I/O mapped to the primary address register of address '5'h and the Port 5 Control Register (P5CR) to the corresponding auxiliary register. The P5CR is a byte-wide register and is configured by writing first the low nibble and then the high nibble (see section "Addressing Peripherals").

**Figure 5-4.** Bi-directional Port 5



**Figure 5-5.** Port 5 External Interrupts



### 5.2.3.1 Port 5 Data Register (P5DAT)

Primary register address: '5'hex

	Bit 3	Bit 2	Bit 1	Bit 0	
<b>P5DAT</b>	<b>P5DAT3</b>	<b>P5DAT2</b>	<b>P5DAT1</b>	<b>P5DAT0</b>	<b>Reset value: 1111b</b>

### 5.2.3.2 Port 5 Control Register (P5CR) Byte Write

Auxiliary register address: '5'hex

		Bit 3	Bit 2	Bit 1	Bit 0	
<b>P5CR</b>	<b>First write cycle</b>	<b>P51M2</b>	<b>P51M1</b>	<b>P50M2</b>	<b>P50M1</b>	<b>Reset value: 1111b</b>
	<b>Second write cycle</b>	<b>P53M2</b>	<b>P53M1</b>	<b>P52M2</b>	<b>P52M1</b>	<b>Reset value: 1111b</b>

P5xM2, P5xM1 – Port 5x Interrupt Mode/Direction Code

**Table 5-3.** Port 5 Control Register

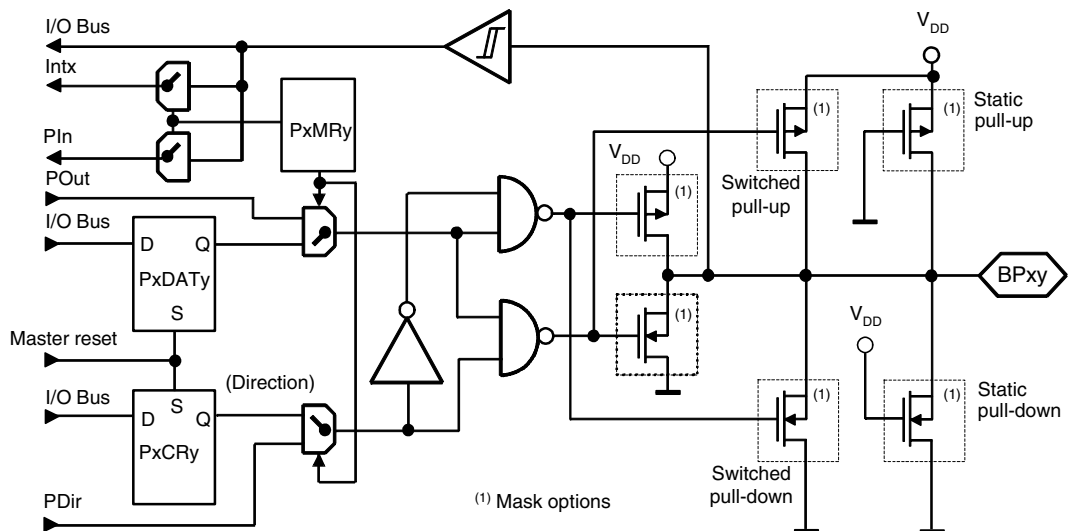
Auxiliary Address: '5'hex First Write Cycle		Second Write Cycle	
Code 3 2 1 0	Function	Code 3 2 1 0	Function
x x 1 1	BP50 in input mode – interrupt disabled	x x 1 1	BP52 in input mode – interrupt disabled
x x 0 1	BP50 in input mode – rising edge interrupt	x x 0 1	BP52 in input mode – rising edge interrupt
x x 1 0	BP50 in input mode – falling edge interrupt	x x 1 0	BP52 in input mode – falling edge interrupt
x x 0 0	BP50 in output mode – interrupt disabled	x x 0 0	BP52 in output mode – interrupt disabled
1 1 x x	BP51 in input mode – interrupt disabled	1 1 x x	BP53 in input mode – interrupt disabled
0 1 x x	BP51 in input mode – rising edge interrupt	0 1 x x	BP53 in input mode – rising edge interrupt
1 0 x x	BP51 in input mode – falling edge interrupt	1 0 x x	BP53 in input mode – falling edge interrupt
0 0 x x	BP51 in output mode – interrupt disabled	0 0 x x	BP53 in output mode – interrupt disabled

**5.2.4 Bi-directional Port 4**

The bi-directional Port 4 is a bitwise configurable I/O port and provides the external pins for Timer 2, SSI and the voltage monitor input (VMI). As a normal port, it performs in exactly the same way as bi-directional Port 2 (see [Figure 5-3 on page 25](#)). Two additional multiplexes allow data and port direction control to be passed over to other internal modules (Timer 2, VM or SSI). The I/O pins for SC and SD lines have an additional mode to generate an SSI-interrupt.

All four Port 4 pins can be individually switched by the P4CR register. [Figure 5-6](#) shows the internal interfaces to bi-directional Port 4.

**Figure 5-6.** Bi-directional Port 4 and Port 6



## 5.2.4.1 Port 4 Data Register (P4DAT)

Primary register address: '4'hex

	Bit 3	Bit 2	Bit 1	Bit 0	
<b>P4DAT</b>	<b>P4DAT3</b>	<b>P4DAT2</b>	<b>P4DAT1</b>	<b>P4DAT0</b>	<b>Reset value: 1111b</b>

## 5.2.4.2 Port 4 Control Register (P4CR) Byte Write

Auxiliary register address: '4'hex

		Bit 3	Bit 2	Bit 1	Bit 0	
<b>P4CR</b>	<b>First write cycle</b>	<b>P41M2</b>	<b>P41M1</b>	<b>P40M2</b>	<b>P40M1</b>	<b>Reset value: 1111b</b>
	<b>Second write cycle</b>	<b>P43M2</b>	<b>P43M1</b>	<b>P42M2</b>	<b>P42M1</b>	<b>Reset value: 1111b</b>

P4xM2, P4xM1 - Port 4x Interrupt mode/direction code

**Table 5-4.** Port 4 Control Register

Auxiliary Address: '4'hex First Write Cycle		Second Write Cycle	
Code 3 2 1 0	Function	Code 3 2 1 0	Function
x x 1 1	BP40 in input mode	x x 1 1	BP42 in input mode
x x 1 0	BP40 in output mode	x x 1 0	BP42 in output mode
x x 0 1	BP40 enable alternate function (SC for SSI)	x x 0 x	BP42 enable alternate function (T2O for Timer 2)
x x 0 0	BP40 enable alternate function (falling edge interrupt input for INT3)	1 1 x x	BP43 in input mode
1 1 x x	BP41 in input mode	1 0 x x	BP43 in output mode
1 0 x x	BP41 in output mode	0 1 x x	BP43 enable alternate function (SD for SSI)
0 1 x x	BP41 enable alternate function (VMI for voltage monitor input)	0 0 x x	BP43 enable alternate function (falling edge interrupt input for INT3)
0 0 x x	BP41 enable alternate function (T2I external clock input for Timer 2)	-	-

## 5.2.5 Bi-directional Port 6

The bi-directional Port 6 is a bitwise configurable I/O port and provides the external pins for Timer 3. As a normal port, it performs in exactly the same way as bi-directional Port 6 (see [Figure 5-6 on page 28](#)). Two additional multiplexes allow data and port direction control to be passed over to other internal modules (Timer 3). The I/O pin for T3I line has an additional mode to generate a Timer 3 interrupt.

All two Port 6 pins can be individually switched by the P6CR register. [Figure 5-6 on page 28](#) shows the internal interfaces to bi-directional Port 6.

### 5.2.5.1 Port 6 Data Register (P6DAT)

	Bit 3	Bit 2	Bit 1	Bit 0	Primary register address: '6'hex
<b>P6DAT</b>	<b>P6DAT3</b>	-	-	<b>P6DAT0</b>	<b>Reset value: 1xx1b</b>

### 5.2.5.2 Port 6 Control Register (P6CR)

	Bit 3	Bit 2	Bit 1	Bit 0	Primary register address: '6'hex
<b>P6CR</b>	<b>P63M2</b>	<b>P63M1</b>	<b>P60M2</b>	<b>P60M0</b>	<b>Reset value: 1111b</b>

P6xM2, P6xM1 - Port 6x Interrupt mode/direction code

**Table 5-5.** Port 6 Control Register

Auxiliary Address: '6'hex		Write Cycle	
Code 3 2 1 0	Function	Code 3 2 1 0	Function
x x 1 1	BP60 in input mode	1 1 x x	BP63 in input mode
x x 1 0	BP60 in output mode	1 0 x x	BP63 in output mode
x x 0 x	BP60 enable alternate port function (T3O for Timer 3)	0 x x x	BP63 enable alternate port function (T3I for Timer 3)

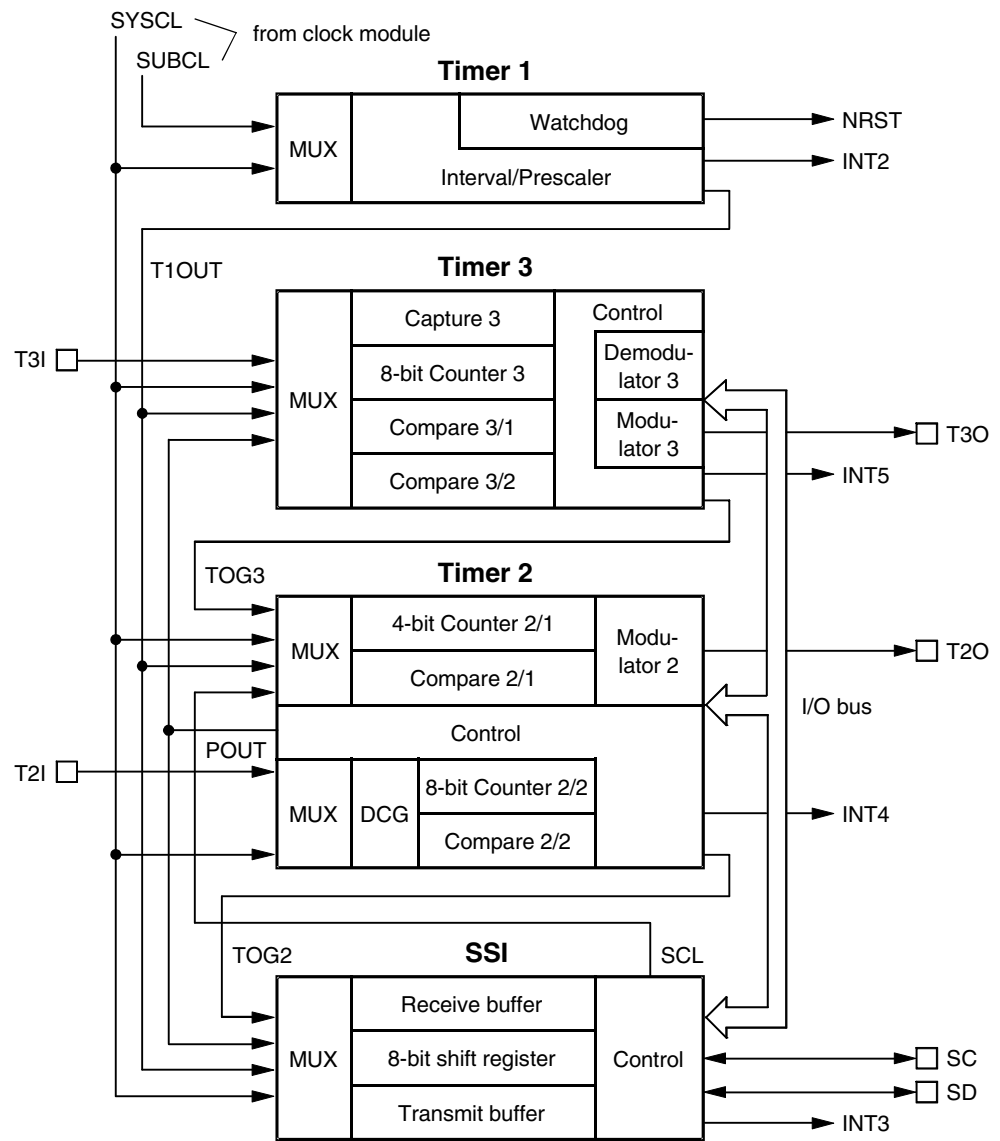
## 5.3 Universal Timer/Counter/ Communication Module (UTCM)

The Universal Timer/Counter/Communication Module (UTCM) consists of three timers (Timer 1, Timer 2, Timer 3) and a Synchronous Serial Interface (SSI).

- Timer 1 is an interval timer that can be used to generate periodic interrupts and as prescaler for Timer 2, Timer 3, the serial interface and the watchdog function.
- Timer 2 is an 8/12-bit timer with an external clock input (T2I) and an output (T2O).
- Timer 3 is an 8-bit timer/counter with its own input (T3I) and output (T3O).
- The SSI operates as a two-wire serial interface or as a shift register for modulation and demodulation. The modulator and demodulator units work together with the timers and shift the data bits into or out of the shift register.

There is a multitude of modes in which the timers and the serial interface can work together.

**Figure 5-7.** UTCM Block Diagram



### 5.3.1 Timer 1

Timer 1 is an interval timer which can be used to generate periodic interrupts and as a prescaler for Timer 2, Timer 3, the serial interface and the watchdog function.

Timer 1 consists of a programmable 14-stage divider that is driven by either SUBCL or SYSCL. The timer output signal can be used as a prescaler clock or as a SUBCL and as a source for the Timer 1 interrupt. Because of other system requirements the Timer 1 output T1OUT is synchronized with SYSCL. Therefore, in the power-down mode SLEEP (CPU core -> sleep and OSC-Stop -> yes), the output T1OUT is stopped (T1OUT = 0). Nevertheless, Timer 1 can be active in SLEEP and generate Timer 1 interrupts. The interrupt is maskable via the T1IM bit and the SUBCL can be bypassed via the T1BP bit of the T1C2 register. The time interval for the timer output can be programmed via Timer 1 control register T1C1.

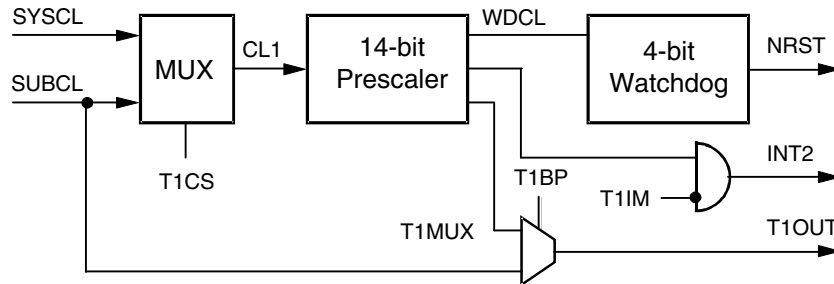
This timer starts running automatically after any power-on reset. If the watchdog function is not activated, the timer can be restarted by writing into the T1C1 register with T1RM = 1.

Timer 1 can also be used as a watchdog timer to prevent a system from stalling. The watchdog timer is a 3-bit counter that is supplied by a separate output of Timer 1. It generates a system reset when the 3-bit counter overflows. To avoid this, the 3-bit counter must be reset before it overflows. The application software has to accomplish this by reading the CWD register.

After power-on reset the watchdog must be activated by software in the \$RESET initialization routine. There are two watchdog modes, in one mode the watchdog can be switched on and off by software, in the other mode the watchdog is active and locked. This mode can only be stopped by carrying out a system reset.

The watchdog timer operation mode and the time interval for the watchdog reset can be programmed via the watchdog control register (WDC).

**Figure 5-8.** Timer 1 Module







**Table 5-6.** Timer 1 Control Bits

T1C2	T1C1	T1C0	Divider	Time Interval with SUBCL	Time Interval with SUBCL = 32 kHz	Time Interval with SYSCL = 2/1 MHz
0	0	0	2	SUBCL/2	61 $\mu$ s	1 $\mu$ s/2 $\mu$ s
0	0	1	4	SUBCL/4	122 $\mu$ s	2 $\mu$ s/4 $\mu$ s
0	1	0	8	SUBCL/8	244 $\mu$ s	4 $\mu$ s/8 $\mu$ s
0	1	1	16	SUBCL/16	488 $\mu$ s	8 $\mu$ s/16 $\mu$ s
1	0	0	32	SUBCL/32	0.977 ms	16 $\mu$ s/32 $\mu$ s
1	0	1	256	SUBCL/256	7.812 ms	128 $\mu$ s/256 $\mu$ s
1	1	0	2048	SUBCL/2048	62.5 ms	1024 $\mu$ s/2048 $\mu$ s
1	1	1	16384	SUBCL/16384	500 ms	8192 $\mu$ s/16384 $\mu$ s

### 5.3.1.2 Timer 1 Control Register 2 (T1C2)

Address: '7'hex - Subaddress: '9'hex

	Bit 3	Bit 2	Bit 1	Bit 0	
<b>T1C2</b>	-	<b>T1BP</b>	<b>T1CS</b>	<b>T1IM</b>	<b>Reset value: x111b</b>

Bit 3 = MSB, Bit 0 = LSB

<b>T1BP</b>	Timer 1 SUBCL <b>By</b> Passed T1BP = 1, T1OUT = T1MUX T1BP = 0, T1OUT = SUBCL
<b>T1CS</b>	Timer 1 input Clock <b>S</b> elect T1CS = 1, CL1 = SUBCL (see <a href="#">Figure 5-8 on page 32</a> ) T1CS = 0, CL1 = SYSCL (see <a href="#">Figure 5-8 on page 32</a> )
<b>T1IM</b>	Timer 1 Interrupt <b>M</b> ask T1IM = 1, disables Timer 1 interrupt T1IM = 0, enables Timer 1 interrupt

### 5.3.1.3 Watchdog Control Register (WDC)

Address: '7'hex - Subaddress: 'A'hex

	Bit 3	Bit 2	Bit 1	Bit 0	
<b>WDC</b>	<b>WDL</b>	<b>WDR</b>	<b>WDT1</b>	<b>WDT0</b>	<b>Reset value: 1111b</b>

Bit 3 = MSB, Bit 0 = LSB

	<b>WatchDog Lock mode</b>
	WDL = 1, the watchdog can be enabled and disabled by using the WDR-bit
<b>WDL</b>	WDL = 0, the watchdog is enabled and locked. In this mode the WDR-bit has no effect. After the WDL-bit is cleared, the watchdog is active until a system reset or power-on reset occurs.
	<b>WatchDog Run and stop mode</b>
	WDR = 1, the watchdog is stopped/disabled
<b>WDR</b>	WDR = 0, the watchdog is active/enabled
<b>WDT1</b>	<b>WatchDog Time 1</b>
<b>WDT0</b>	<b>WatchDog Time 0</b>

Both these bits control the time interval for the watchdog reset.

**Table 5-7.** Watchdog Time Control Bits

WDT1	WDT0	Divider	Delay Time to Reset with SUBCL = 32 kHz	Delay Time to Reset with SYSCL = 2/1 MHz
0	0	512	15.625 ms	0.256 ms/0.512 ms
0	1	2048	62.5 ms	1.024 ms/2.048 ms
1	0	16384	0.5 s	8.2 ms/16.4 ms
1	1	131072	4 s	65.5 ms/131 ms

## 5.3.2 Timer 2

This is an 8-bit or 12-bit Timer used for

- Interrupt, square-wave, pulse and duty cycle generation
- Baud-rate generation for the internal shift register
- Manchester and Bi-phase modulation together with the SSI
- Carrier frequency generation and modulation together with the SSI

Timer 2 can be used as an interval timer for interrupt generation, as a signal generator or as a baud-rate generator and modulator for the serial interface. It consists of a 4-bit and an 8-bit up counter stage which both have compare registers. The 4-bit counter stages of Timer 2 are cascadable as a 12-bit timer or as 8-bit timer with a 4-bit prescaler. The timer can also be configured as an 8-bit timer and a separate 4-bit prescaler.

Timer 2 input can be supplied via the system clock, the external input clock (T2I), the Timer 1 output clock, the Timer 3 output clock or the shift clock of the serial interface. The external input clock T2I is not synchronized with SYSCL. Therefore, it is possible to use Timer 2 with a higher clock speed than SYSCL. Furthermore, with that input clock Timer 2 operates in the power-down mode SLEEP (CPU core -> sleep and OSC-Stop -> yes) as well as in POWER-DOWN (CPU core -> sleep and OSC-Stop -> no). All other clock sources supply no clock signal in SLEEP if NSTOP = 0. The 4-bit counter stages of Timer 2 have an additional clock output (POUT). Its output has a modulator stage that allows the generation of pulses as well as the generation and modulation of carrier frequencies. Timer 2 output can modulate with the shift register data output to generate Bi-phase- or Manchester-code.

If the serial interface is used to modulate a bit-stream, the 4-bit stage of Timer 2 has a special task. The shift register can only handle bit-stream lengths divisible by 8. For other lengths, the 4-bit counter stage can be used to stop the modulator after the right bit-count is shifted out.

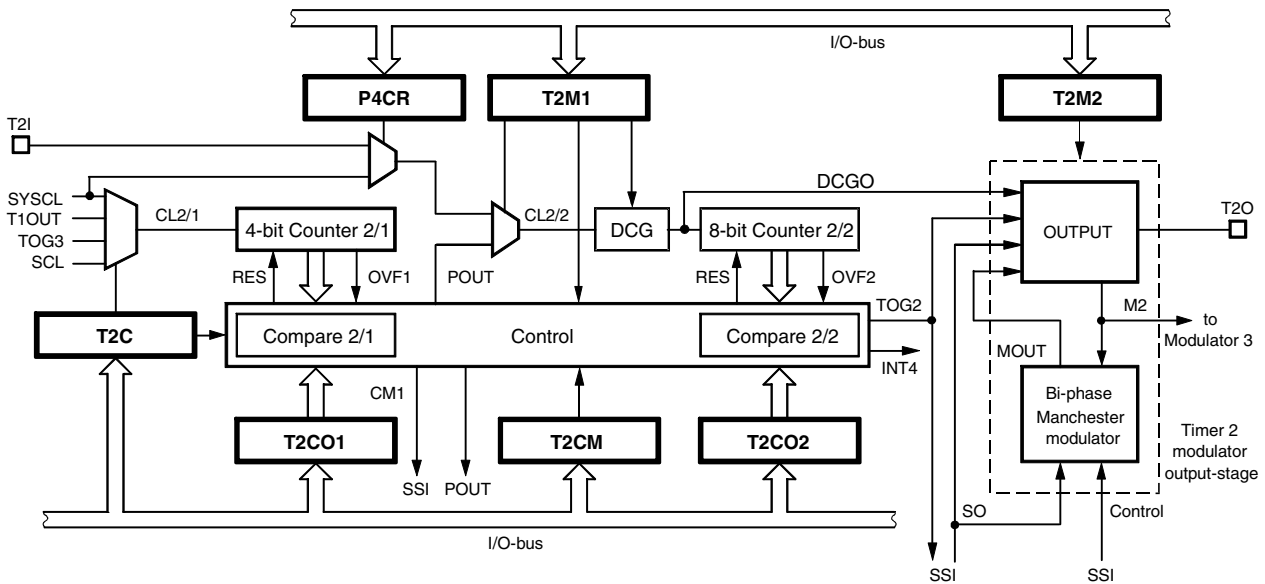
If the timer is used for carrier frequency modulation, the 4-bit stage works together with an additional 2-bit duty cycle generator like a 6-bit prescaler to generate carrier frequency and duty cycle. The 8-bit counter is used to enable and disable the modulator output for a programmable count of pulses.

For programming the time interval, the timer has a 4-bit and an 8-bit compare register. For programming the timer function, it has four modes and control registers. The comparator output of stage 2 is controlled by a special compare mode register (T2CM). This register contains mask bits for the actions (counter reset, output toggle, timer interrupt) which can be triggered by a compare match event or the counter overflow. This architecture enables the timer to function in various modes.

Timer 2 has a 4-bit compare register (T2CO1) and an 8-bit compare register (T2CO2). Both these compare registers are cascadable as a 12-bit compare register, or 8-bit compare register and 4-bit compare register.

For 12-bit compare data value:  $m = x + 1$   $0 \leq x \leq 4095$   
 For 8-bit compare data value:  $n = y + 1$   $0 \leq y \leq 255$   
 For 4-bit compare data value:  $l = z + 1$   $0 \leq z \leq 15$

Figure 5-10. Timer 2

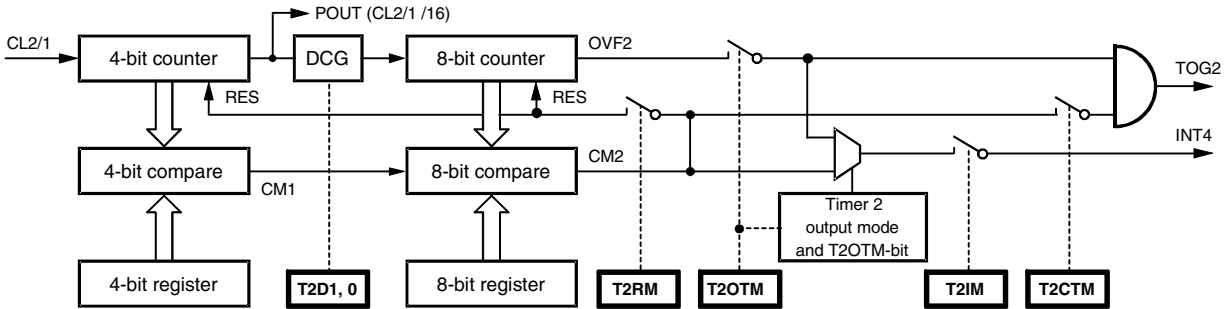


## 5.3.2.1 Timer 2 Modes

### Mode 1: 12-bit Compare Counter

The 4-bit stage and the 8-bit stage work together as a 12-bit compare counter. A compare match signal of the 4-bit and the 8-bit stage generates the signal for the counter reset, toggle flip-flop or interrupt. The compare action is programmable via the compare mode register (T2CM). The 4-bit counter overflow (OVF1) supplies the clock output (POUT) with clocks. The duty cycle generator (DCG) has to be bypassed in this mode.

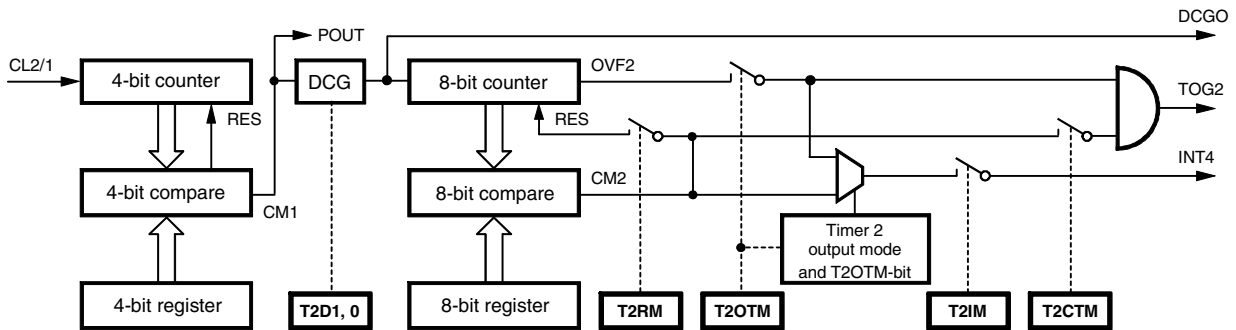
**Figure 5-11.** 12-bit Compare Counter



### Mode 2: 8-bit Compare Counter with 4-bit Programmable Prescaler

The 4-bit stage is used as a programmable prescaler for the 8-bit counter stage. In this mode, a duty cycle stage is also available. This stage can be used as an additional 2-bit prescaler or for generating duty cycles of 25%, 33% and 50%. The 4-bit compare output (CM1) supplies the clock output (POUT) with clocks.

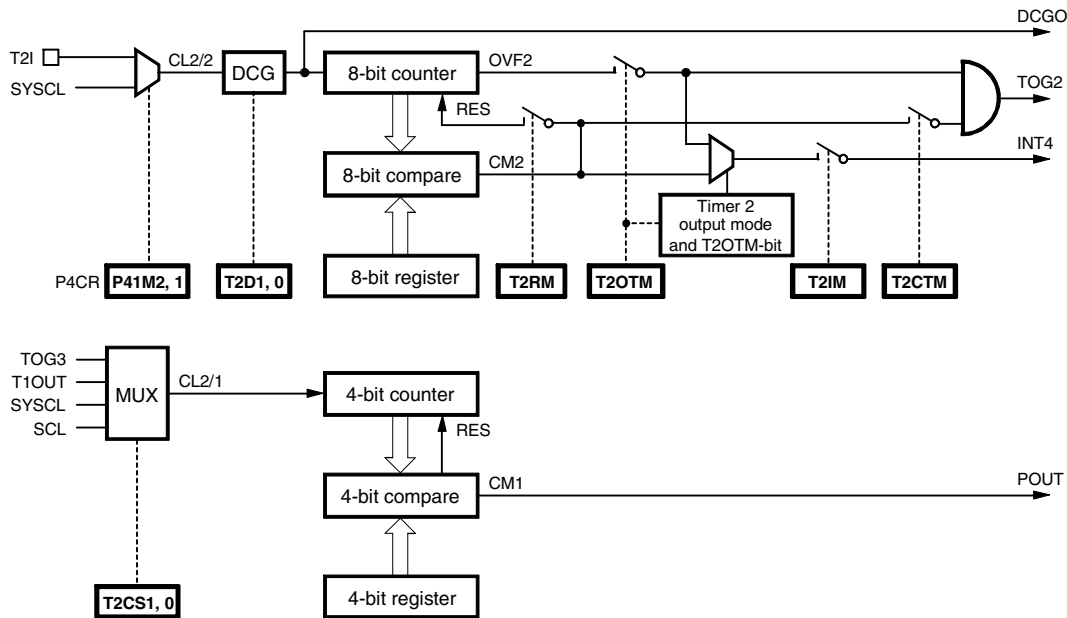
**Figure 5-12.** 8-bit Compare Counter



### Mode 3/4: 8-bit Compare Counter and 4-bit Programmable Prescaler

In these modes the 4-bit and the 8-bit counter stages work independently as a 4-bit prescaler and an 8-bit timer with an 2-bit prescaler or as a duty cycle generator. Only in mode 3 and mode 4, can the 8-bit counter be supplied via the external clock input (T2I) which is selected via the P4CR register. The 4-bit prescaler is started by activating mode 3 and stopped and reset in mode 4. Changing mode 3 and 4 has no effect for the 8-bit timer stage. The 4-bit stage can be used as a prescaler for Timer 3, the SSI or to generate the stop signal for modulator 2 and modulator 3.

**Figure 5-13.** 4-/8-bit Compare Counter

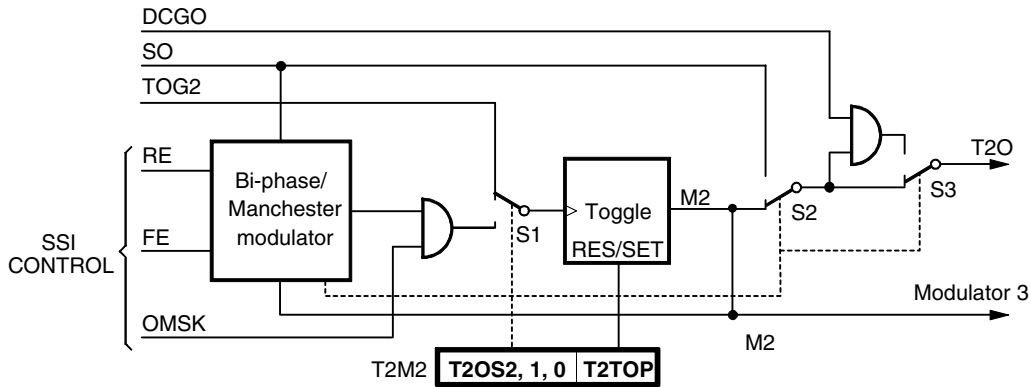


#### 5.3.2.2 Timer 2 Output Modes

The signal at the timer output is generated via modulator 2. In the toggle mode, the compare match event toggles the output T2O. For high resolution duty cycle modulation 8 bits or 12 bits can be used to toggle the output. In the duty cycle burst modulator modes the DCG output is connected to T2O and switched on and off either by the toggle flip flop output or the serial data line of the SSI. Modulator 2 also has 2 modes to output the content of the serial interface as Bi-phase- or Manchester-code.

The modulator output stage can be configured by the output control bits in the T2M2 register. The modulator is started with the start of the shift register (SIR = 0) and stopped either by carrying out a shift register stop (SIR = 1) or compare match event of stage 1 (CM1) of Timer 2. For this task, Timer 2 mode 3 must be used and the prescaler has to be supplied with the internal shift clock (SCL).

Figure 5-14. Timer 2 Modulator Output Stage

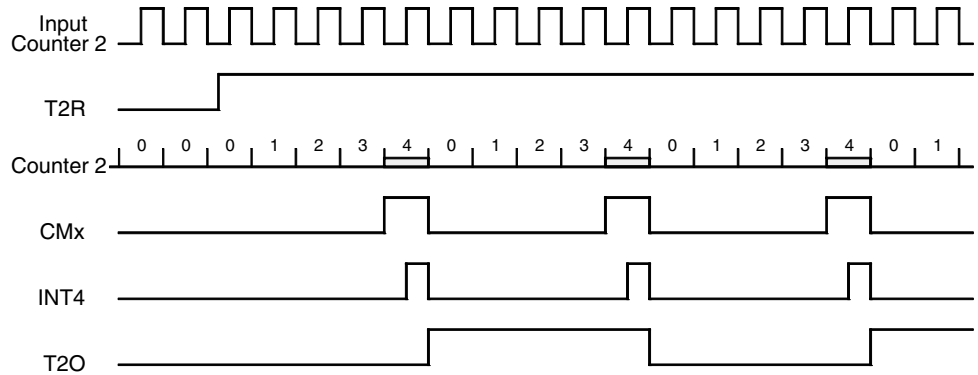


5.3.2.3 Timer 2 Output Signals

**Timer 2 Output Mode 1**

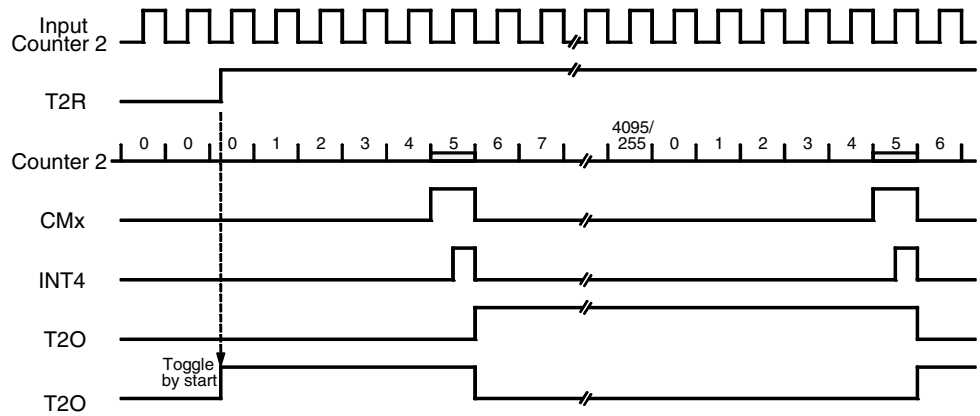
**Toggle Mode A:** A Timer 2 compare match toggles the output flip-flop (M2) -> T2O

Figure 5-15. Interrupt Timer/Square Wave Generator – the Output Toggles with Each Edge Compare Match Event



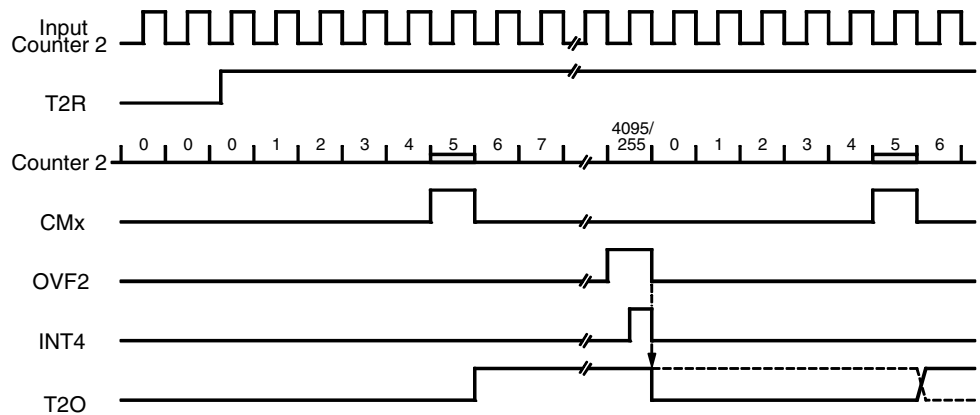
**Toggle Mode B:** A Timer 2 compare match toggles the output flip-flop (M2) -> T2O

**Figure 5-16.** Pulse Generator – the Timer Output Toggles with the Timer Start if the T2TS-bit Is Set



**Toggle Mode C:** A Timer 2 compare match toggles the output flip-flop (M2) -> T2O

**Figure 5-17.** Pulse Generator – the Timer Toggles with Timer Overflow and Compare Match

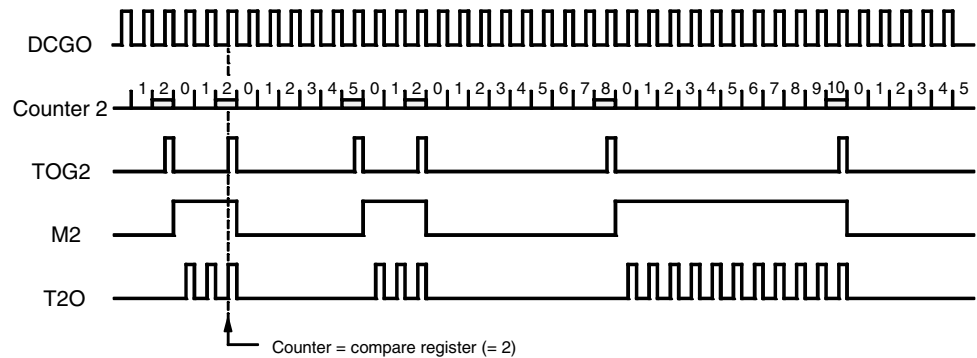




## Timer 2 Output Mode 2

**Duty Cycle Burst Generator 1:** The DCG output signal (DCGO) is given to the output, and gated by the output flip-flop (M2)

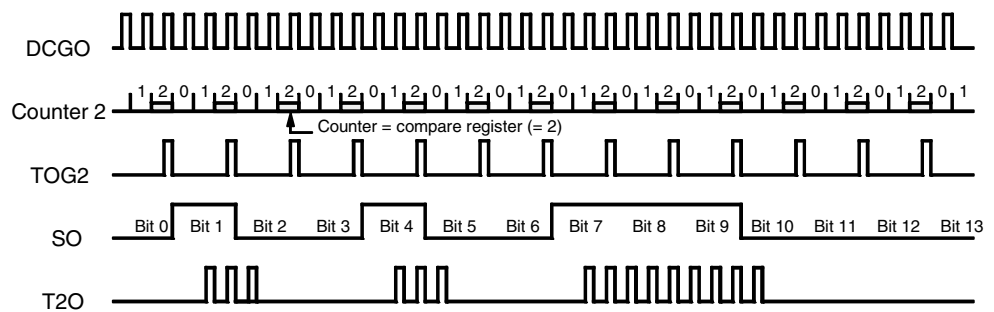
**Figure 5-18.** Carrier Frequency Burst Modulation with Timer 2 Toggle Flip-flop Output



## Timer 2 Output Mode 3

**Duty Cycle Burst Generator 2:** The DCG output signal (DCGO) is given to the output, and gated by the SSI internal data output (SO)

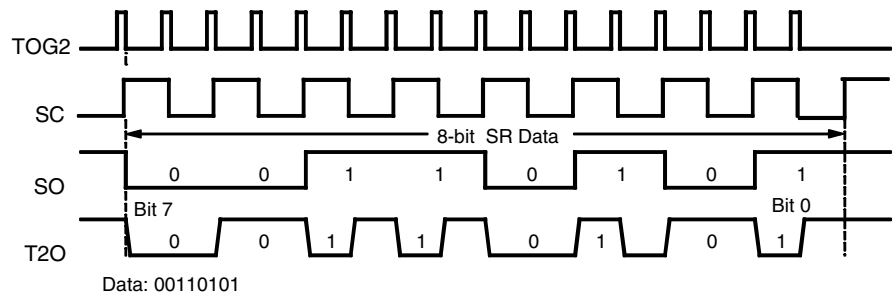
**Figure 5-19.** Carrier Frequency Burst Modulation with the SSI Data Output



## Timer 2 Output Mode 4

**Bi-phase Modulator:** Timer 2 Modulates the SSI Internal Data Output (SO) to Bi-phase Code.

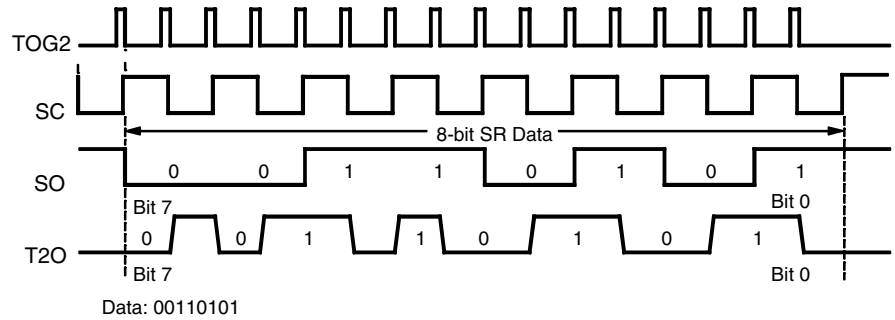
**Figure 5-20.** Bi-phase Modulation



### Timer 2 Output Mode 5

**Manchester Modulator:** Timer 2 Modulates the SSI internal data output (SO) to Manchester-code

**Figure 5-21.** Manchester Modulation

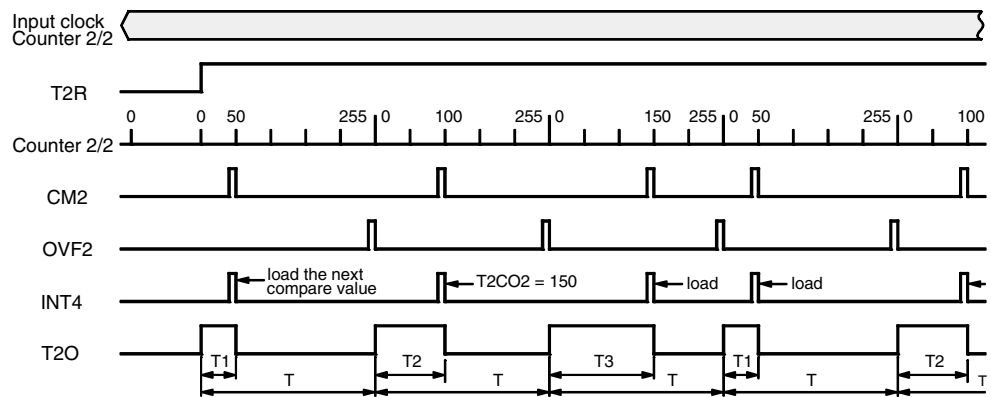


### Timer 2 Output Mode 7

In this mode the timer overflow defines the period and the compare register defines the duty cycle. During one period only the first compare match occurrence is used to toggle the timer output flip-flop, until the overflow all further compare match are ignored. This avoids the situation where changing the compare register causes the occurrence of several compare matches during one period. The resolution at the pulse-width modulation Timer 2 mode 1 is 12-bit and all other Timer 2 modes are 8-bit.

**PWM Mode:** Pulse-width modulation output on Timer 2 output pin (T2O)

**Figure 5-22.** PWM Modulation



## 5.3.2.4 Timer 2 Registers

Timer 2 has 6 control registers to configure the timer mode, the time interval, the input clock and its output function. All registers are indirectly addressed using extended addressing as described in the section “Addressing Peripherals”. The alternate functions of the Ports BP41 or BP42 must be selected with the Port 4 control register P4CR if one of the Timer 2 modes require an input at T2I/BP41 or an output at T2O/BP42.

## 5.3.2.5 Timer 2 Control Register (T2C)

Address: '7'hex - Subaddress: '0'hex

	Bit 3	Bit 2	Bit 1	Bit 0	
<b>T2C</b>	<b>T2CS1</b>	<b>T2CS0</b>	<b>T2TS</b>	<b>T2R</b>	<b>Reset value: 0000b</b>

**T2CS1** Timer 2 Clock Select bit 1

**T2CS0** Timer 2 Clock Select bit 0

**Table 5-8.** Timer 2 Clock Select Bits

<b>T2CS1</b>	<b>T2CS0</b>	<b>Input Clock (CL 2/1) of Counter Stage 2/1</b>
0	0	System clock (SYSCL)
0	1	Output signal of Timer 1 (T1OUT)
1	0	Internal shift clock of SSI (SCL)
1	1	Output signal of Timer 3 (TOG3)

**T2TS** **Timer 2 Toggle with Start**  
 T2TS = 0, the output flip-flop of Timer 2 is not toggled with the timer start  
 T2TS = 1, the output flip-flop of Timer 2 is toggled when the timer is started with T2R

**T2R** **Timer 2 Run**  
 T2R = 0, Timer 2 stop and reset  
 T2R = 1, Timer 2 run

## 5.3.2.6 Timer 2 Mode Register 1 (T2M1)

Address: '7'hex - Subaddress: '1'hex

	Bit 3	Bit 2	Bit 1	Bit 0	
<b>T2M1</b>	<b>T2D1</b>	<b>T2D0</b>	<b>T2MS1</b>	<b>T2MS0</b>	<b>Reset value: 1111b</b>

**T2D1** Timer 2 Duty cycle bit 1

**T2D0** Timer 2 Duty cycle bit 0

**Table 5-9.** Timer 2 Duty Cycle Bits

T2D1	T2D0	Function of Duty Cycle Generator (DCG)	Additional Divider Effect
1	1	Bypassed (DCGO0)	/1
1	0	Duty cycle 1/1 (DCGO1)	/2
0	1	Duty cycle 1/2 (DCGO2)	/3
0	0	Duty cycle 1/3 (DCGO3)	/4

**T2MS1** Timer 2 Mode Select bit 1

**T2MS0** Timer 2 Mode Select bit 0

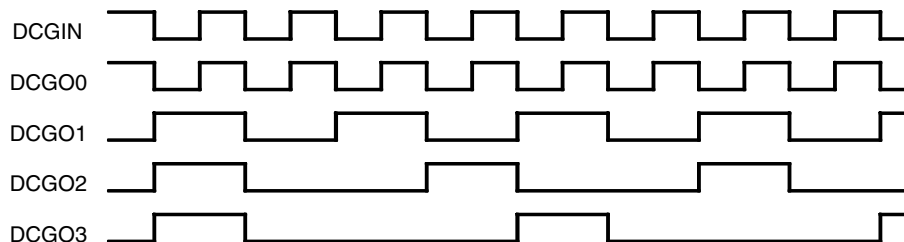
**Table 5-10.** Timer 2 Mode Select Bits

Mode	T2MS1	T2MS0	Clock Output (POUT)	Timer 2 Modes
1	1	1	4-bit counter overflow (OVF1)	12-bit compare counter, the DCG have to be bypassed in this mode
2	1	0	4-bit compare output (CM1)	8-bit compare counter with 4-bit programmable prescaler and duty cycle generator
3	0	1	4-bit compare output (CM1)	8-bit compare counter clocked by SYSCL or the external clock input T2I, 4-bit prescaler run, the counter 2/1 starts after writing mode 3
4	0	0	4-bit compare output (CM1)	8-bit compare counter clocked by SYSCL or the external clock input T2I, 4-bit prescaler stop and resets

### 5.3.2.7 Duty Cycle Generator

The duty cycle generator generates duty cycles of 25%, 33% or 50%. The frequency at the duty cycle generator output depends on the duty cycle and the Timer 2 prescaler setting. The DCG-stage can also be used as additional programmable prescaler for Timer 2.

**Figure 5-23.** DCG Output Signals



## 5.3.2.8 Timer 2 Mode Register 2 (T2M2)

Address: '7'hex - Subaddress: '2'hex

	Bit 3	Bit 2	Bit 1	Bit 0	
<b>T2M2</b>	<b>T2TOP</b>	<b>T2OS2</b>	<b>T2OS1</b>	<b>T2OS0</b>	<b>Reset value: 1111b</b>

### Timer 2 Toggle Output Preset

This bit allows the programmer to preset the Timer 2 output T2O.

**T2TOP** T2TOP = 0, resets the toggle outputs with the write cycle (M2 = 0)

T2TOP = 1, sets toggle outputs with the write cycle (M2 = 1)

**Note: If T2R = 1, no output preset is possible**

**T2OS2** Timer 2 Output Select bit 2

**T2OS1** Timer 2 Output Select bit 1

**T2OS0** Timer 2 Output Select bit 0

**Table 5-11.** Timer 2 Output Select Bits

Output Mode	T2OS2	T2MS1	T2MS0	Clock Output
1	1	1	1	Toggle mode: a Timer 2 compare match toggles the output flip-flop (M2) →T2O
2	1	1	0	Duty cycle burst generator 1: the DCG output signal (DCG0) is given to the output and gated by the output flip-flop (M2)
3	1	0	1	Duty cycle burst generator 2: the DCG output signal (DCG0) is given to the output and gated by the SSI internal data output (SO)
4	1	0	0	Bi-phase modulator: Timer 2 modulates the SSI internal data output (SO) to Bi-phase code
5	0	1	1	Manchester modulator: Timer 2 modulates the SSI internal data output (SO) to Manchester code
6	0	1	0	SSI output: T2O is used directly as SSI internal data output (SO)
7	0	0	1	PWM mode: an 8/12-bit PWM mode
8	0	0	0	Not allowed

If one of these output modes is used the T2O alternate function of Port 4 must also be activated.

### 5.3.2.9 Timer 2 Compare and Compare Mode Registers

Timer 2 has two separate compare registers, T2CO1 for the 4-bit stage and T2CO2 for the 8-bit stage of Timer 2. The timer compares the contents of the compare register current counter value, and if it matches, it generates an output signal. Dependent on the timer mode, this signal is used to generate a timer interrupt, to toggle the output flip-flop as an SSI clock or as a clock for the next counter stage.

In the 12-bit timer mode, T2CO1 contains bits 0 to 3 and T2CO2 bits 4 to 11 of the 12-bit compare value. In all other modes, the two compare registers work independently as a 4- and 8-bit compare register.

When assigned to the compare register a compare event will be suppressed.

### 5.3.2.10 Timer 2 Compare Mode Register (T2CM)

Address: '7'hex - Subaddress: '3'hex

	Bit 3	Bit 2	Bit 1	Bit 0	
<b>T2CM</b>	<b>T2OTM</b>	<b>T2CTM</b>	<b>T2RM</b>	<b>T2IM</b>	<b>Reset value: 0000b</b>
<b>T2OTM</b>	<p><b>Timer 2 Overflow Toggle Mask bit</b>            T2OTM = 0, disable overflow toggle            T2OTM = 1, enable overflow toggle, a counter overflow (OVF2) toggles the output flip-flop (TOG2). If the T2OTM-bit is set, only a counter overflow can generate an interrupt except on the Timer 2 output mode 7.</p>				
<b>T2CTM</b>	<p><b>Timer 2 Compare Toggle Mask bit</b>            T2CTM = 0, disable compare toggle            T2CTM = 1, enable compare toggle, a match of the counter with the compare register toggles output flip-flop (TOG2). In Timer 2 output mode 7 and when the T2CTM-bit is set, only a match of the counter with the compare register can generate an interrupt.</p>				
<b>T2RM</b>	<p><b>Timer 2 Reset Mask bit</b>            T2RM = 0, disable counter reset            T2RM = 1, enable counter reset, a match of the counter with the compare register resets the counter</p>				
<b>T2IM</b>	<p><b>Timer 2 Interrupt Mask bit</b>            T2IM = 0, disable Timer 2 interrupt            T2IM = 1, enable Timer 2 interrupt</p>				

**Table 5-12.** Timer 2 Toggle Mask Bits

Timer 2 Output Mode	T2OTM	T2CTM	Timer 2 Interrupt Source
1, 2, 3, 4, 5 and 6	0	x	Compare match (CM2)
1, 2, 3, 4, 5 and 6	1	x	Overflow (OVF2)
7	x	1	Compare match (CM2)

## 5.3.2.11 Timer 2 COmpare Register 1 (T2CO1)

Address: '7'hex -Subaddress: '4'hex

<b>T2CO1</b>	<b>Write cycle</b>	<b>Bit 3</b>	<b>Bit 2</b>	<b>Bit 1</b>	<b>Bit 0</b>	<b>Reset value: 1111b</b>
--------------	--------------------	--------------	--------------	--------------	--------------	---------------------------

In prescaler mode the clock is bypassed if the compare register T2CO1 contains 0.

## 5.3.2.12 Timer 2 COmpare Register 2 (T2CO2) Byte Write

Address: '7'hex - Subaddress: '5'hex

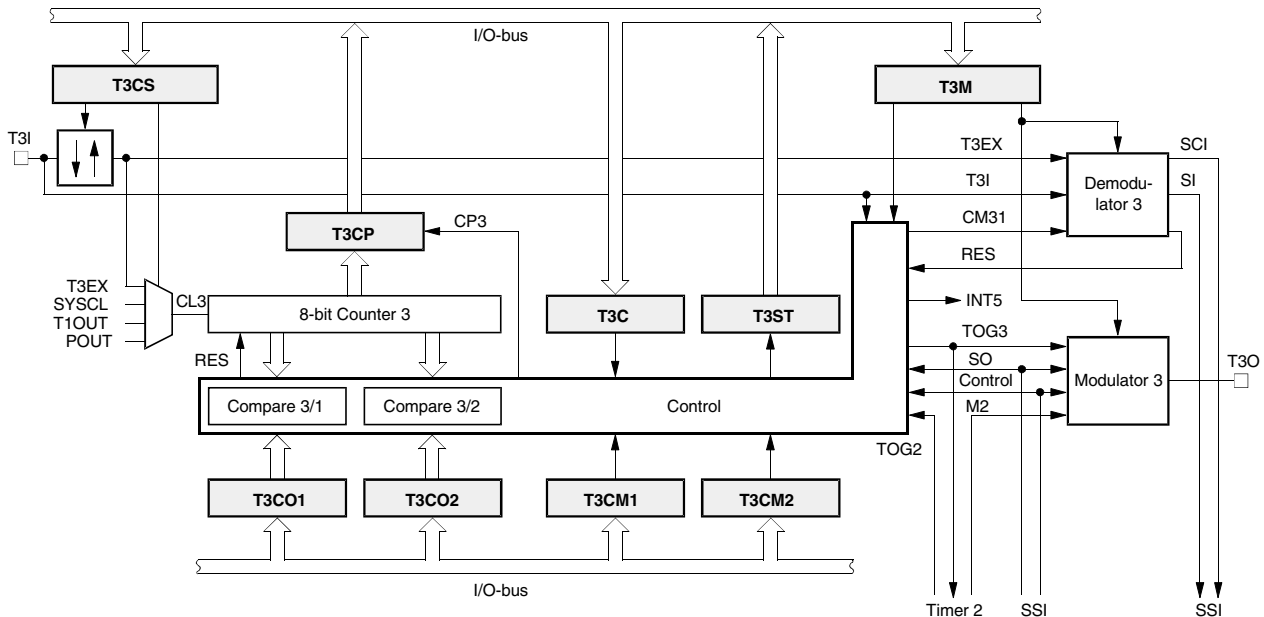
<b>T2CO2</b>	<b>First write cycle</b>	<b>Bit 3</b>	<b>Bit 2</b>	<b>Bit 1</b>	<b>Bit 0</b>	<b>Reset value: 1111b</b>
	<b>Second write cycle</b>	<b>Bit 7</b>	<b>Bit 6</b>	<b>Bit 5</b>	<b>Bit 4</b>	<b>Reset value: 1111b</b>

## 5.3.3 Timer 3

The features of timer 3 are:

- 2 compare registers
- Capture register
- Edge sensitive input with zero cross detection capability
- Trigger and single action modes
- Output control modes
- Automatically modulation and demodulation modes
- FSK modulation
- Pulse width modulation (PWM)
- Manchester demodulation together with SSI
- Bi-phase demodulation together with SSI
- Pulse-width demodulation together with SSI

**Figure 5-24. Timer 3**



Timer 3 consists of an 8-bit up-counter with two compare registers and one capture register. The timer can be used as an event counter, a timer and a signal generator. Its output can be programmed as modulator and demodulator for the serial interface. The two compare registers enable various modes of signal generation, modulation and demodulation. The counter can be driven by internal and external clock sources. For external clock sources, it has a programmable edge-sensitive input which can be used as a counter input, a capture signal input or a trigger input. This timer input is synchronized with SYSCL. Therefore, in the power-down mode SLEEP (CPU core -> sleep and OSC-Stop -> yes), this timer input is stopped too. The counter is readable via its capture register while it is running. In capture mode, the counter value can be captured by a programmable capture event from the Timer 3 input or Timer 2 output.

A special feature of this timer is the trigger- and single-action mode. In trigger mode, the counter starts counting when triggered by the external signal at its input. In single-action mode, the counter counts only one time up to the programmed compare match event. These modes are very useful for modulation, demodulation, signal generation, signal measurement and phase control. For phase control, the timer input is protected against negative voltages and has zero-cross detection capability.

Timer 3 has a modulator output stage and input functions for demodulation. As a modulator it works together with Timer 2 or the serial interface. When the shift register is used for modulation the data shifted out of the register is encoded bitwise. In all demodulation modes, the decoded data bits are shifted automatically into the shift register.



### 5.3.3.1 *Timer/Counter Modes*

Timer 3 has 6 timer modes and 6 modulator/demodulator modes. The mode is set via the Timer 3 Mode Register T3M.

In all these modes, the compare register and the compare-mode register belonging to it define the counter value for a compare match and the action of a compare match. A match of the current counter value with the content of one compare register triggers a counter reset, a Timer 3 interrupt or the toggling of the output flip-flop. The compare mode registers T3M1 and T3M2 contain the mask bits for enabling or disabling these actions.

The counter can also be enabled to execute single actions with one or both compare registers. If this mode is set the corresponding compare match event is generated only once after the counter start.

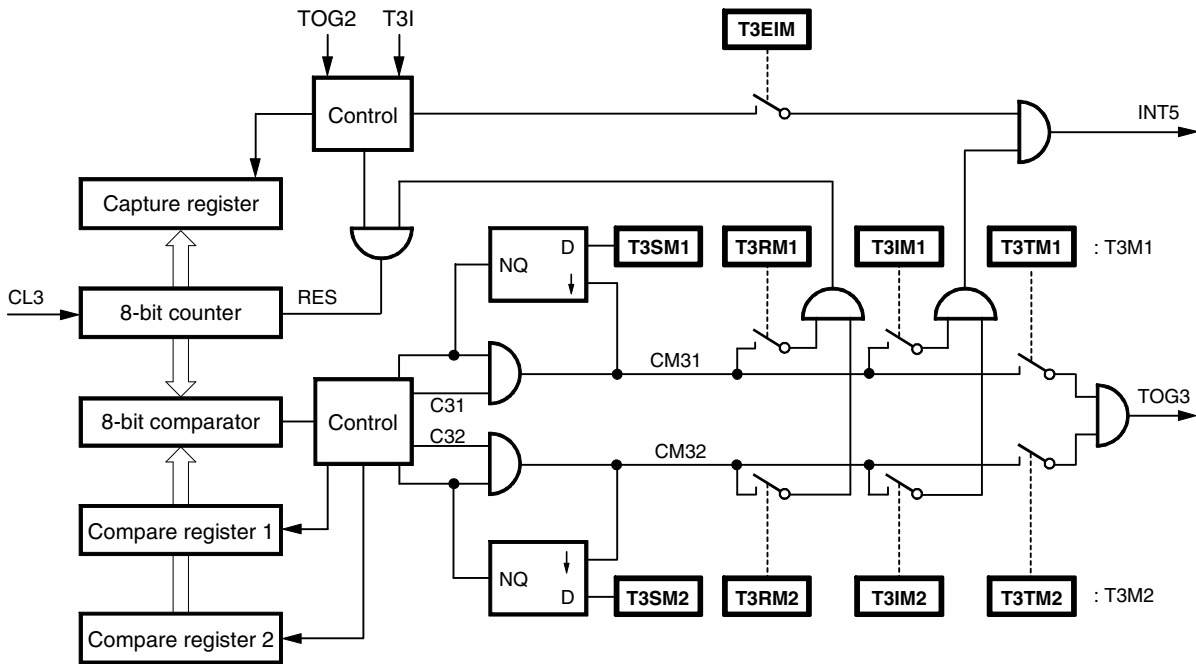
Most of the timer modes use their compare registers alternately. After the start has been activated, the first comparison is carried out via the compare register 1, the second is carried out via the compare register 2, the third is carried out again via the compare register 1 and so on. This makes it easy to generate signals with constant periods and variable duty cycle or to generate signals with variable pulse and space widths.

If single-action mode is set for one compare register, the comparison is always carried out after the first cycle via the other compare register.

The counter can be started and stopped via the control register T3C. This register also controls the initial level of the output before a start. T3C contains the interrupt mask for a T3I input interrupt.

Via the Timer 3 clock-select register, the internal or external clock source can be selected. This register also selects the active edge of the external input. An edge at the external input T3I can also generate an interrupt if the T3EIM-bit is set and the Timer 3 is stopped ( $T3R = 0$ ) in the T3C register.

**Figure 5-25. Counter 3 Stage**



The status of the timer as well as the occurrence of a compare match or an edge detect of the input signal is indicated by the status register T2ST. This allows identification of the interrupt source because all these events share only one timer interrupt.

Timer 3 compares data values

Timer 3 has two 8-bit compare registers (T3CO1, T3CO2). The compare data value can be 'm' for each of the Timer 3 compare registers.

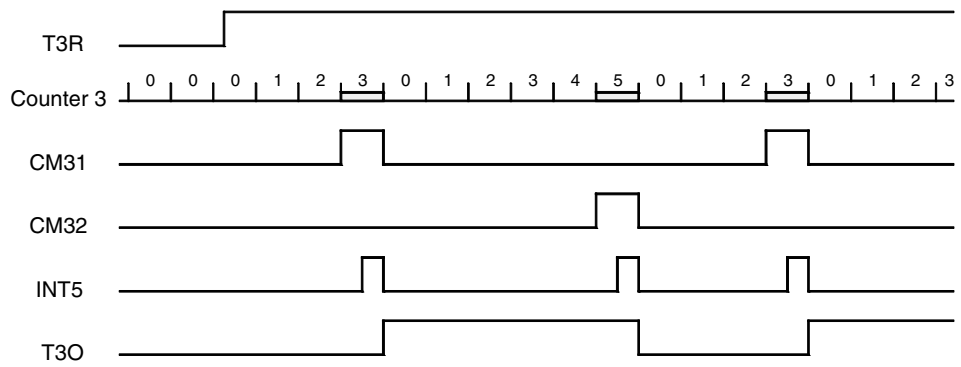
The compare data value for the compare registers is:

$$m = x + 1 \quad 0 \leq x \leq 255$$

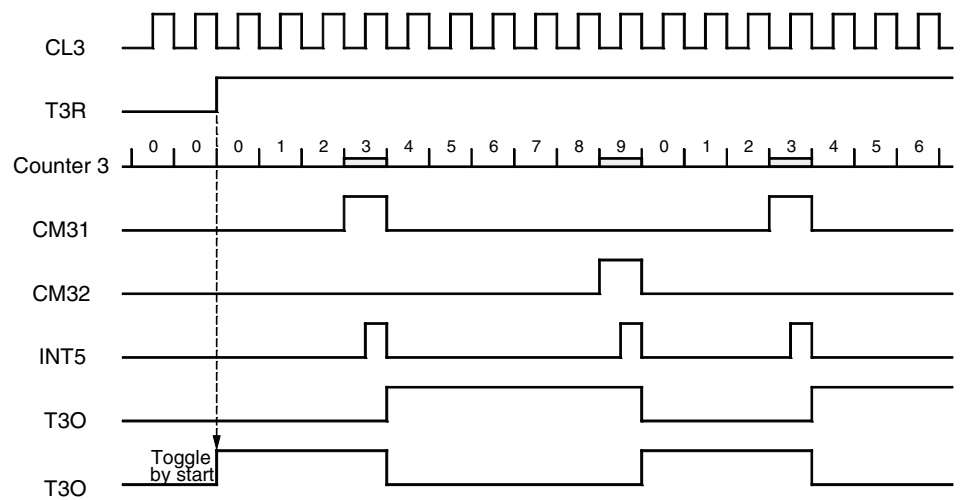
### Timer 3 – Mode 1: Timer/Counter

The selected clock from an internal or external source increments the 8-bit counter. In this mode, the timer can be used as event counter for external clocks at T3I or as a timer for generating interrupts and pulses at T3O. The counter value can be read by the software via the capture register.

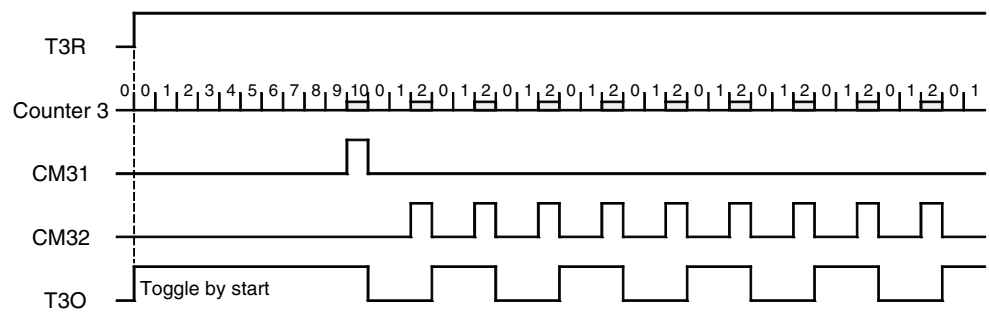
**Figure 5-26.** Counter Reset with Each Compare Match



**Figure 5-27.** Counter Reset with Compare Register 2 and Toggle with Start



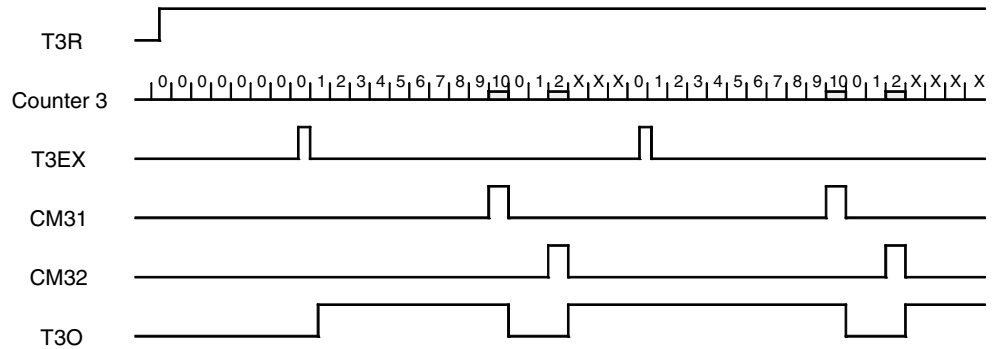
**Figure 5-28.** Single Action of Compare Register 1



### Timer 3 – Mode 2: Timer/Counter, External Trigger Restart and External Capture (with T3I Input)

The counter is driven by an internal clock source. After starting with T3R, the first edge from the external input T3I starts the counter. The following edges at T3I load the current counter value into the capture register, resets the counter and restarts it. The edge can be selected by the programmable edge decoder of the timer input stage. If single-action mode is activated for one or both compare registers the trigger signal restarts the single action.

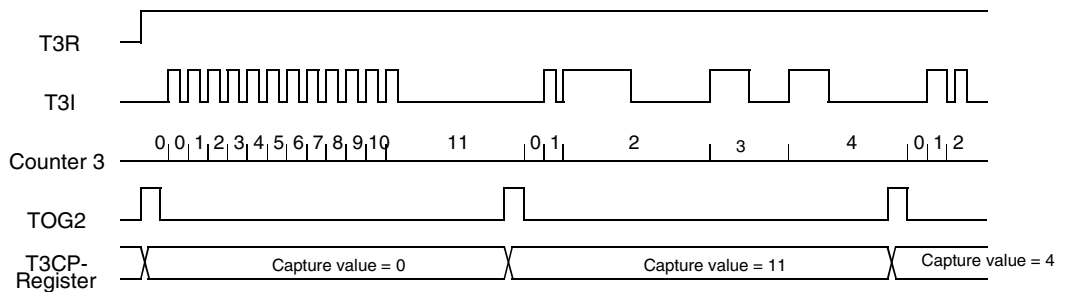
**Figure 5-29.** Externally Triggerged Counter Reset and Start Combined with Single-action Mode



### Timer 3 – Mode 3: Timer/Counter, Internal Trigger Restart and Internal Capture (with TOG2)

The counter is driven by an internal or external (T3I) clock source. The output toggle signal of Timer 2 resets the counter. The counter value before the reset is saved in the capture register. If single-action mode is activated for one both compare registers, the trigger signal restarts the single actions. This mode can be used for frequency measurements or as an event counter with a time gate (see combination mode 10).

**Figure 5-30.** Event Counter with Time Gate



### Timer 3 – Mode 4: Timer/Counter

The timer runs as a timer/counter in mode 1, but its output T3O is used as an output for the Timer 2 output signal.

### Timer 3 – Mode 5: Timer/Counter, External Trigger Restart and External Capture (with T3I Input)

Timer 3 runs as a timer/counter in mode 2, but its output T3O is used as an output for the Timer 2 output signal.

## 5.3.3.2 Timer 3 Modulator/Demodulator Modes

### Timer 3 – Mode 6: Carrier Frequency Burst Modulation Controlled by Timer 2 Output Toggle Flip-Flop (M2)

Timer 3 counter is driven by an internal or external clock source. Its compare- and compare mode registers must be programmed to generate the carrier frequency via the output toggle flip-flop. The output toggle flip-flop of Timer 2 is used to enable or disable Timer 3 output. Timer 2 can be driven by the toggle output signal of Timer 3 or any other clock source (see combination mode 11).

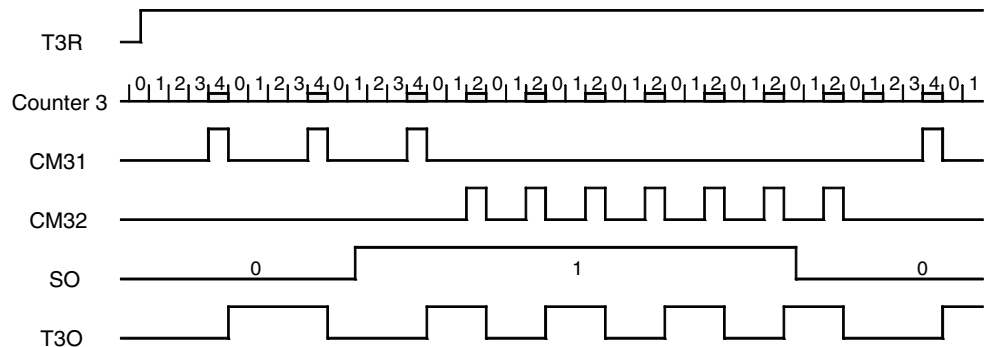
### Timer 3 – Mode 7: Carrier Frequency Burst Modulation Controlled by SSI Internal Output (SO)

Timer 3 counter is driven by an internal or external clock source. Its compare- and compare mode registers must be programmed to generate the carrier frequency via the output toggle flip-flop. The output (SO) of the SSI is used to enable or disable the Timer 3 output. The SSI should be supplied with the toggle signal of Timer 2 (see combination mode 12).

### Timer 3 – Mode 8: FSK Modulation with Shift Register Data (SO)

The two compare registers are used for generating two different time intervals. The SSI internal data output (SO) selects which compare register is used for the output frequency generation. A '0' level at the SSI data output enables the compare register 1. A '1' level enables compare register 2. The compare- and compare mode registers must be programmed to generate the two frequencies via the output toggle flip-flop. The SSI can be supplied with the toggle signal of Timer 2. Timer 3 counter is driven by an internal or external clock source. Timer 2 counter is driven by counter 3 (TOG3) (see also combination mode 13).

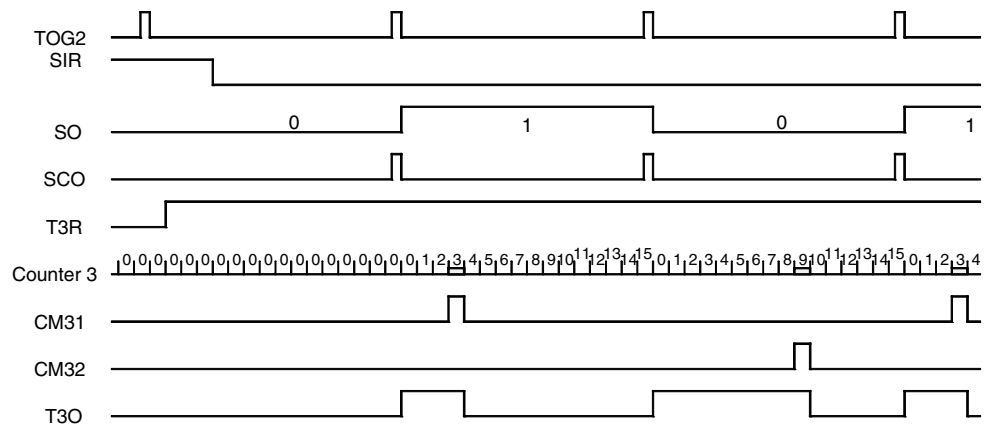
**Figure 5-31. FSK Modulation**



### Timer 3 – Mode 9: Pulse-width Modulation with the Shift Register

The two compare registers are used for generating two different time intervals. The SSI internal data output (SO) selects which compare register is used for the output pulse generation. In this mode both compare- and compare mode registers must be programmed for generating the two pulse-widths. It is also useful to enable the single-action mode for extreme duty cycles. Timer 2 is used as a baud rate generator and for the trigger restart of Timer 3. The SSI must be supplied with a toggle signal of Timer 2. The counter is driven by an internal or external clock source (see combination mode 7).

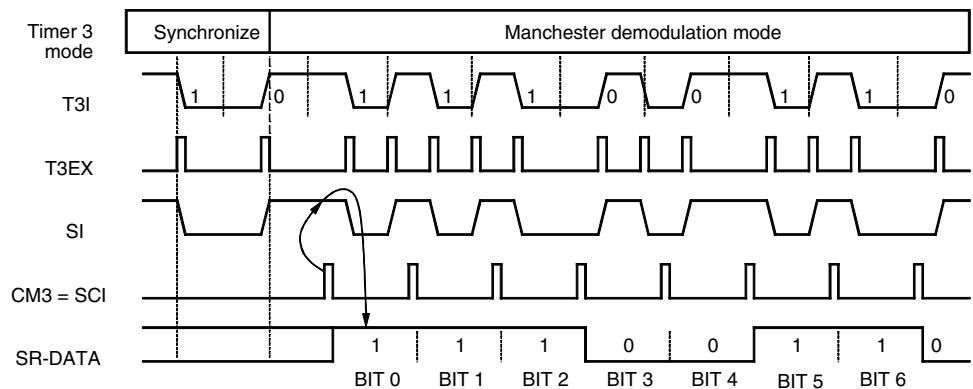
**Figure 5-32. Pulse-width Modulation**



**Timer 3 – Mode 10: Manchester Demodulation/Pulse-width Demodulation**

For Manchester demodulation, the edge detection stage must be programmed to detect each edge at the input. These edges are evaluated by the demodulator stage. The timer stage is used to generate the shift clock for the SSI. The compare register 1 match event defines the correct moment for shifting the state from input T3I as the decoded bit into shift register – after that the demodulator waits for the next edge to synchronize the timer by a reset for the next bit. Compare register 2 can also be used to detect a time-out error and handle it with an interrupt routine (also see combination mode 8).

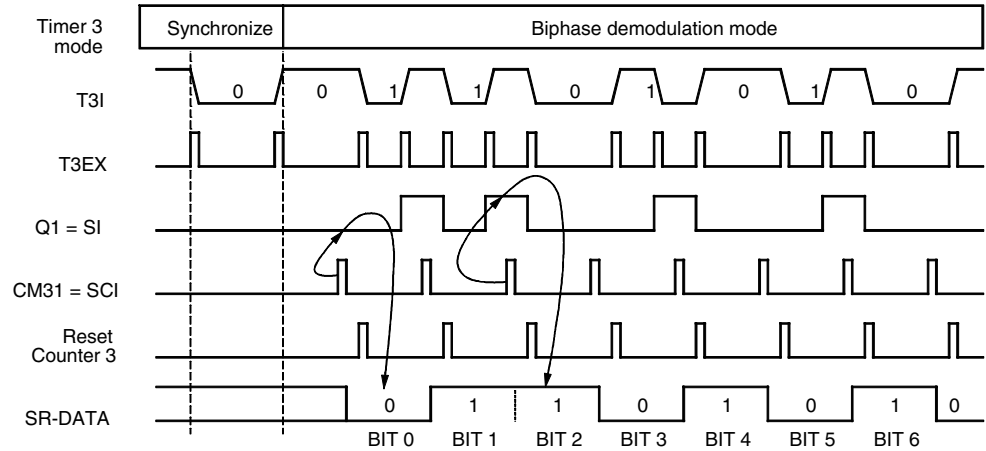
**Figure 5-33. Timer 3 – Manchester Demodulation**



## Timer 3 – Mode 11: Bi-phase Demodulation

In the Bi-phase demodulation mode, the timer operates like in Manchester demodulation mode. The difference is that the bits are decoded via a toggle flip-flop. This flip-flop samples the edge in the middle of the bit-frame and the compare register 1 match event shifts the toggle flip-flop output into the shift register (see also combined mode 9).

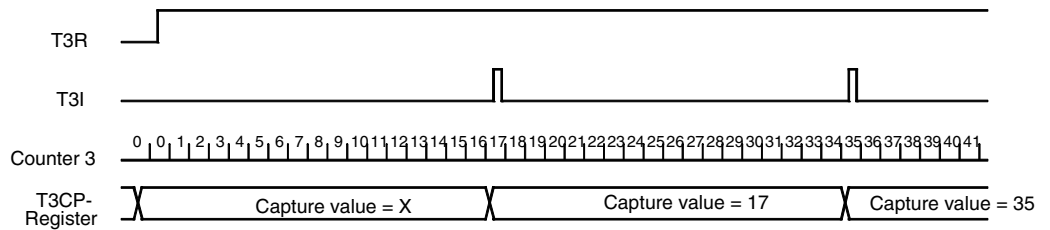
**Figure 5-34.** Timer 3 – Bi-phase Demodulation



## Timer 3 – Mode 12: Timer/Counter with External Capture Mode (T3I)

The counter is driven by an internal clock source and an edge at the external input T3I loads the counter value into the capture register. The edge can be selected with the programmable edge detector of the timer input stage. This mode can be used for signal and pulse measurements.

**Figure 5-35.** External Capture Mode

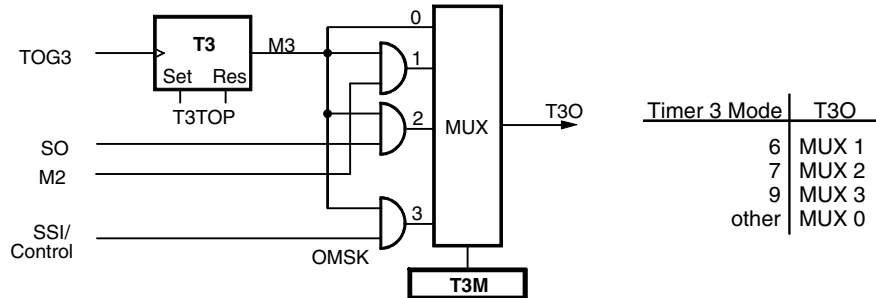


### 5.3.3.3 Timer 3 Modulator for Carrier Frequency Burst Modulation

If the output stage operates as a pulse-width modulator for the shift register the output can be stopped with stage 1 of Timer 2. For this task, the timer mode 3 must be used and the prescaler must be supplied by the internal shift clock of the shift register.

The modulator can be started with the start of the shift register (SIR = 0) and stopped either by a shift register stop (SIR = 1) or compare match event of stage 1 of Timer 2. For this task, Timer 2 must be used in mode 3 and the prescaler stage must be supplied by the internal shift clock of the shift register.

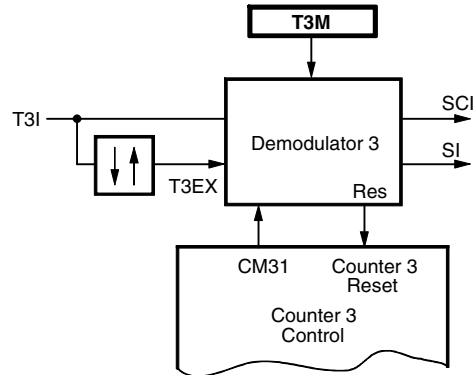
**Figure 5-36.** Modulator 3



### 5.3.3.4 Timer 3 Demodulator for Bi-phase-, Manchester- and Pulse-width-modulated Signals

The demodulator stage of Timer 3 can be used to decode Bi-phase-, Manchester- and pulse-width-coded signals.

**Figure 5-37.** Timer 3 – Demodulator 3





## 5.3.3.5 Timer 3 Mode Register (T3M)

Address: 'Bhex - Subaddress: '0'hex

	Bit 3	Bit 2	Bit 1	Bit 0	
<b>T3M</b>	<b>T3M3</b>	<b>T3M2</b>	<b>T3M1</b>	<b>T3M0</b>	<b>Reset value: 1111b</b>

<b>T3M3</b>	Timer 3 Mode select bit 3
<b>T3M2</b>	Timer 3 Mode select bit 2
<b>T3M1</b>	Timer 3 Mode select bit 1
<b>T3M0</b>	Timer 3 Mode select bit 0

**Table 5-13.** Timer 3 Mode Select Bits

Mode	T3M3	T3M2	T3M1	T3M0	Timer 3 Modes
1	1	1	1	1	Timer/counter with a read access
2	1	1	1	0	Timer/counter, external capture and external trigger restart mode (T3I)
3	1	1	0	1	Timer/counter, internal capture and internal trigger restart mode (TOG2)
4	1	1	0	0	Timer/counter mode 1 without output (T2O -> T3O)
5	1	0	1	1	Timer/counter mode 2 without output (T2O -> T3O)
6	1	0	1	0	Burst modulation with Timer 2 (M2)
7	1	0	0	1	Burst modulation with shift register (SO)
8	1	0	0	0	FSK modulation with shift register (SO)
9	0	1	1	1	Pulse-width modulation with shift register (SO) and Timer 2 (TOG2), internal trigger restart (SCO) -> counter reset
10	0	1	1	0	Manchester demodulation/pulse-width demodulation <sup>(1)</sup> (T2O -> T3O)
11	0	1	0	1	Bi-phase demodulation (T2O -> T3O)
12	0	1	0	0	Timer/counter with external capture mode (T3I)
13	0	0	1	1	Not allowed
14	0	0	1	0	Not allowed
15	0	0	0	1	Not allowed
16	0	0	0	0	Not allowed

Note: 1. In this mode, the SSI can be used only as demodulator (8-bit NRZ rising edge). All other SSI modes are not allowed.

### 5.3.3.6 Timer 3 Control Register 1 (T3C) Write

Primary register address: 'C'hex - Write

	Bit 3	Bit 2	Bit 1	Bit 0	
<b>Write</b>	<b>T3EIM</b>	<b>T3TOP</b>	<b>T3TS</b>	<b>T3R</b>	<b>Reset value: 0000b</b>

- T3EIM** **Timer 3 Edge Interrupt Mask**  
T3EIM = 0, disables the interrupt when an edge event for Timer 3 occurs (T3I)  
T3EIM = 1, enables the interrupt when an edge event for Timer 3 occurs (T3I)
- T3TOP** **Timer 3 Toggle Output Preset** T3TOP = 0, sets toggle output (M3) to '0'  
..... T3TOP = 1, sets toggle output (M3) to '1'  
..... Note: If T3R = 1, no output preset is possible
- T3TS** **Timer 3 Toggle with Start** ..T3TS = 0, Timer 3 output is not toggled during the start  
..... T3TS = 1, Timer 3 output is toggled if started with T3R
- T3R** **Timer 3 Run** ..... T3R = 0, Timer 3 stop and reset  
..... T3R = 1, Timer 3 run

### 5.3.3.7 Timer 3 Status Register 1 (T3ST) Read

Primary register address: 'C'hex - Read

	Bit 3	Bit 2	Bit 1	Bit 0	
<b>Read</b>	<b>-</b>	<b>T3ED</b>	<b>T3C2</b>	<b>T3C1</b>	<b>Reset value: x000b</b>

- T3ED** **Timer 3 Edge Detect**  
This bit will be set by the edge-detect logic of Timer 3 input (T3I)
- T3C2** **Timer 3 Compare 2**  
This bit will be set when a match occurs between Counter 3 and T3CO2
- T3C1** **Timer 3 Compare 1**  
This bit will be set when a match occurs between Counter 3 and T3CO1

Note: The status bits T3C1, T3C2 and T3ED will be reset after a READ access to T3ST.

## 5.3.3.8 Timer 3 Clock Select Register (T3CS)

Address: 'B'hex - Subaddress: '1'hex

	Bit 3	Bit 2	Bit 1	Bit 0	
<b>T3CS</b>	<b>T3E1</b>	<b>T3E0</b>	<b>T3CS1</b>	<b>T3CS0</b>	<b>Reset value: 1111b</b>

**T3E1** Timer 3 Edge select bit 1

**T3E0** Timer 3 Edge select bit 0

**Table 5-14.** External Input Edge Select Bits

<b>T3E1</b>	<b>T3E0</b>	<b>Timer 3 Input Edge Select (T3I)</b>
1	1	–
1	0	Positive edge at T3I pin
0	1	Negative edge at T3I pin
0	0	Each edge at T3I pin

**T3CS1** Timer 3 Clock Source select bit 1

**T3CS0** Timer 3 Clock Source select bit 0

**Table 5-15.** Select Clock Source Bits

<b>T3CS1</b>	<b>T3CS0</b>	<b>Counter 3 Input Signal (CL3)</b>
1	1	System clock (SYSCL)
1	0	Output signal of Timer 2 (POUT)
0	1	Output signal of Timer 1 (T1OUT)
0	0	External input signal from T3I edge detect

## 5.3.3.9 Timer 3 Compare- and Compare Mode Register

Timer 3 has two separate compare registers T3CO1 and T3CO2 for the 8-bit stage of Timer 3. The timer compares the content of the compare register with the current counter value. If both match, it generates a signal. This signal can be used for the counter reset, to generate a timer interrupt, for toggling the output flip-flop, as SSI clock or as clock for the next counter stage. For each compare register, a compare-mode register exists. These registers contain mask bits to enable or disable the generation of an interrupt, a counter reset, or an output toggling with the occurrence of a compare match of the corresponding compare register. The mask bits for activating the single-action mode can also be located in the compare mode registers. When assigned to the compare register a compare event will be suppressed.

### 5.3.3.10 Timer 3 Compare Mode Register 1 (T3CM1)

				Address: 'B'hex - Subaddress: '2'hex
	Bit 3	Bit 2	Bit 1	Bit 0
<b>T3CM1</b>	<b>T3SM1</b>	<b>T3TM1</b>	<b>T3RM1</b>	<b>T3IM1</b>

**Reset value: 0000b**

- T3SM1** **Timer 3 Single action Mask bit 1**  
T3SM1 = 0, disables single-action compare mode  
T3SM1 = 1, enables single-compare mode. After this bit is set, the compare register (T3CO1) is used until the next compare match.
- T3TM1** **Timer 3 compare Toggle action Mask bit 1**  
T3TM1 = 0, disables compare toggle  
T3TM1 = 1, enables compare toggle. A match of Counter 3 with the compare register (T3CO1) toggles the output flip-flop (TOG3).
- T3RM1** **Timer 3 Reset Mask bit 1**  
T3RM1 = 0, disables counter reset  
T3RM1 = 1, enables counter reset. A match of Counter 3 with the compare register (T3CO1) resets the Counter 3.
- T3IM1** **Timer 3 Interrupt Mask bit 1**  
T3RM1 = 0, disables Timer 3 interrupt for T3CO1 register.  
T3RM1 = 1, enables Timer 3 interrupt for T3CO1 register.

T3CM1 contains the mask bits for the match event of Counter 3 compare register 1

### 5.3.3.11 Timer 3 Compare Mode Register 2 (T3CM2)

				Address: 'B'hex - Subaddress: '3'hex
	Bit 3	Bit 2	Bit 1	Bit 0
<b>T3CM2</b>	<b>T3SM2</b>	<b>T3TM2</b>	<b>T3RM2</b>	<b>T3IM2</b>

**Reset value: 0000b**

- T3SM2** **Timer 3 Single action Mask bit 2**  
T3SM2 = 0, disables single-action compare mode  
T3SM2 = 1, enables single-compare mode. After this bit is set, the compare register (T3CO2) is used until the next compare match.
- T3TM2** **Timer 3 compare Toggle action Mask bit 2**  
T3TM2 = 0, disables compare toggle  
T3TM2 = 1, enables compare toggle. A match of Counter 3 with the compare register (T3CO2) toggles the output flip-flop (TOG3).
- T3RM2** **Timer 3 Reset Mask bit 2**  
T3RM2 = 0, disables counter reset  
T3RM2 = 1, enables counter reset. A match of Counter 3 with the compare register (T3CO2) resets the Counter 3.
- T3IM2** **Timer 3 Interrupt Mask bit 2**  
T3RM2 = 0, disables Timer 3 interrupt for T3CO2 register.  
T3RM2 = 1, enables Timer 3 interrupt for T3CO2 register.

T3CM2 contains the mask bits for the match event of Counter 3 compare register 2

The compare registers and corresponding counter reset masks can be used to program the counter time intervals and the toggle masks can be used to program the output signal. The single-action mask can also be used in this mode. It starts operating after the timer starts with T3R.

### 5.3.3.12 Timer 3 COmpare Register 1 (T3CO1) Byte Write

Address: 'B'hex - Subaddress: '4'hex

<b>Second write cycle</b>	<b>High Nibble</b>				<b>Reset value: 1111b</b>
	Bit 7	Bit 6	Bit 5	Bit 4	
<b>First write cycle</b>	<b>Low Nibble</b>				<b>Reset value: 1111b</b>
	Bit 3	Bit 2	Bit 1	Bit 0	

### 5.3.3.13 Timer 3 COmpare Register 2 (T3CO2) Byte Write

Address: 'B'hex - Subaddress: '5'hex

<b>Second write cycle</b>	<b>High Nibble</b>				<b>Reset value: 1111b</b>
	Bit 7	Bit 6	Bit 5	Bit 4	
<b>First write cycle</b>	<b>Low Nibble</b>				<b>Reset value: 1111b</b>
	Bit 3	Bit 2	Bit 1	Bit 0	

### 5.3.3.14 Timer 3 Capture Register

The counter content can be read via the capture register. There are two ways to use the capture register. In modes 1 and 4, it is possible to read the current counter value directly out of the capture register. In capture modes 2, 3, 5 and 12, a capture event like an edge at the Timer 3 input or a signal from Timer 2 stores the current counter value into the capture register. This counter value can be read from the capture register.

### 5.3.3.15 Timer 3 CaPture Register (T3CP) Byte Read

Address: 'B'hex - Subaddress: '4'hex

<b>First read cycle</b>	<b>High Nibble</b>				<b>Reset value: xxxb</b>
	Bit 7	Bit 6	Bit 5	Bit 4	
<b>Second read cycle</b>	<b>Low Nibble</b>				<b>Reset value: xxxb</b>
	Bit 3	Bit 2	Bit 1	Bit 0	

## 5.3.4 Synchronous Serial Interface (SSI)

### 5.3.4.1 SSI Features

- 2- and 3-wire NRZ
- 2-wire mode, additional internal 2-wire link for multi-chip packaging solutions
- With Timer 2:
  - Bi-phase modulation
  - Manchester modulation
  - Pulse-width demodulation
  - Burst modulation
- With Timer 3:
  - Pulse-width modulation (PWM)
  - FSK modulation
  - Bi-phase demodulation
  - Manchester demodulation
  - Pulse-width demodulation
  - Pulse position Demodulation

### 5.3.4.2 SSI Peripheral Configuration

The synchronous serial interface (SSI) can be used either for serial communication with external devices such as EEPROMs, shift registers, display drivers, other microcontrollers, or as a means for generating and capturing on-chip serial streams of data. External data communication takes place via Port 4 (BP4), a multi-functional port which can be software configured by writing the appropriate control word into the P4CR register. The SSI can be configured in any of the following ways:

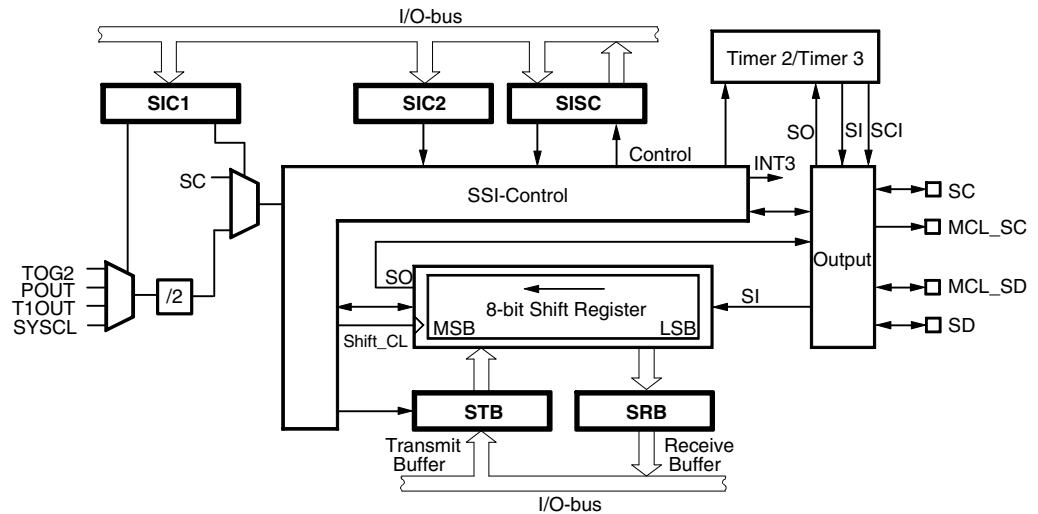
2-wire external interface for bi-directional data communication with one data terminal and one shift clock. The SSI uses Port BP43 as a bi-directional serial data line (SD) and BP40 as a shift clock line (SC).

3-wire external interface for simultaneous input and output of serial data, with a serial input data terminal (SI), a serial output data terminal (SO) and a shift clock (SC). The SSI uses BP40 as a shift clock (SC), while the serial data input (SI) is applied to BP43 (configured in P4CR as input). Serial output data (SO) in this case is passed through to BP42 (configured in P4CR to T2O) via the Timer 2 output stage (T2M2 configured in mode 6).

Timer/SSI combined modes – the SSI used together with Timer 2 or Timer 3 is capable of performing a variety of data modulation and demodulation functions (see Timer Section). The modulating data is converted by the SSI into a continuous serial stream of data which is in turn modulated in one of the timer functional blocks. Serial demodulated data can be serially captured in the SSI and read by the controller. In the Timer 3 modes 10 and 11 (demodulation modes) the SSI can only be used as demodulator.

Multi-chip link (MCL) – the SSI can also be used as an interchip data interface for use in single package multi-chip modules or hybrids. For such applications, the SSI is provided with two dedicated pads (MCL\_SD and MCL\_SC) which act as a two-wire chip-to-chip link. The MCL can be activated by the MCL control bit. Should these MCL pads be used by the SSI, the standard SD and SC pins are not required and the corresponding Port 4 ports are available as conventional data ports.

**Figure 5-38.** Block Diagram of the Synchronous Serial Interface



### 5.3.4.3 General SSI Operation

The SSI is comprised essentially of an 8-bit shift register with two associated 8-bit buffers. The receive buffer (SRB) for capturing the incoming serial data and a transmit buffer (STB) for intermediate storage of data to be serially output. Both buffers are directly accessible by software. Transferring the parallel buffer data into and out of the shift register is controlled automatically by the SSI control, so that both single byte transfers or continuous bit streams can be supported.

The SSI can generate the shift clock (SC) either from one of several on-chip clock sources or accept an external clock. The external shift clock is output on, or applied to the Port BP40. Selection of an external clock source is performed by the Serial Clock Direction control bit (SCD). In combinational modes, the required clock is selected by the corresponding timer mode.

The SSI can operate in three data transfer modes — synchronous 8-bit shift mode, a 9-bit Multi-Chip Link mode (MCL), containing 8-bit data and 1-bit acknowledge, and a corresponding 8-bit MCL mode without acknowledge. In both MCL modes the data transmission begins after a valid start condition and ends with a valid stop condition.

External SSI clocking is not supported in these modes. The SSI should thus generate and have full control over the shift clock so that it can always be regarded as an MCL-bus master device.

All directional control of the external data port used by the SSI is handled automatically and is dependent on the transmission direction set by the Serial Data Direction (SDD) control bit. This control bit defines whether the SSI is currently operating in transmit (TX) mode or receive (RX) mode.

Serial data is organized in 8-bit telegrams which are shifted with the most significant bit first. In the 9-bit MCL mode, an additional acknowledge bit is appended to the end of the telegram for handshaking purposes (see MCL protocol).

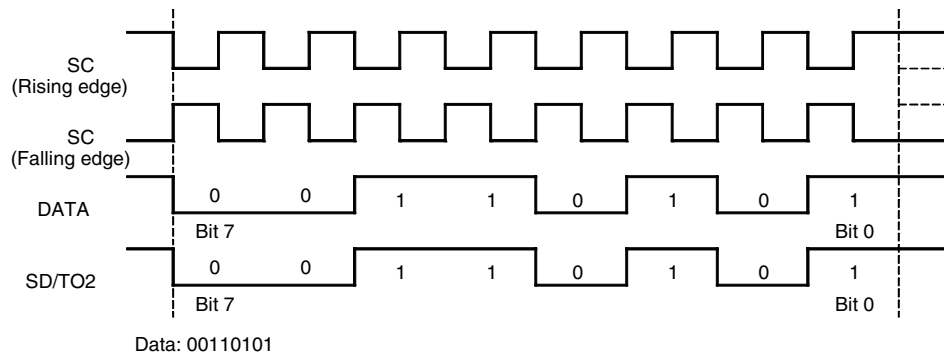
At the beginning of every telegram, the SSI control loads the transmit buffer into the shift register and proceeds immediately to shift data serially out. At the same time, incoming data is shifted into the shift register input. This incoming data is automatically loaded into the receive buffer when the complete telegram has been received. Thus, data can be simultaneously received and transmitted if required.

Before data can be transferred, the SSI must first be activated. This is performed by means of the SSI reset control (SIR) bit. All further operation then depends on the data directional mode (TX/RX) and the present status of the SSI buffer registers shown by the Serial Interface Ready Status Flag (SRDY). This SRDY flag indicates the (empty/full) status of either the transmit buffer (in TX mode), or the receive buffer (in RX mode). The control logic ensures that data shifting is temporarily halted at any time, if the appropriate receive/transmit buffer is not ready (SRDY = 0). The SRDY status will then automatically be set back to 1 and data shifting resumed as soon as the application software loads the new data into the transmit register (in TX mode) or frees the shift register by reading it into the receive buffer (in RX mode).

A further activity status (ACT) bit indicates the present status of the serial communication. The ACT bit remains high for the duration of the serial telegram or if MCL stop or start conditions are currently being generated. Both the current SRDY and ACT status can be read in the SSI status register. To deactivate the SSI, the SIR bit must be set to high.

#### 5.3.4.4 8-bit Synchronous Mode

**Figure 5-39.** 8-bit Synchronous Mode



In 8-bit synchronous mode, the SSI can operate as either a 2- or 3-wire interface (see SSI peripheral configuration). The serial data (SD) is received or transmitted in NRZ format, synchronized to either the rising or falling edge of the shift clock (SC). The choice of clock edge is defined by the Serial Mode Control bits (SM0,SM1). It should be noted that the transmission edge refers to the SC clock edge with which the SD changes. To avoid clock skew problems, the incoming serial input data is shifted in with the opposite edge.

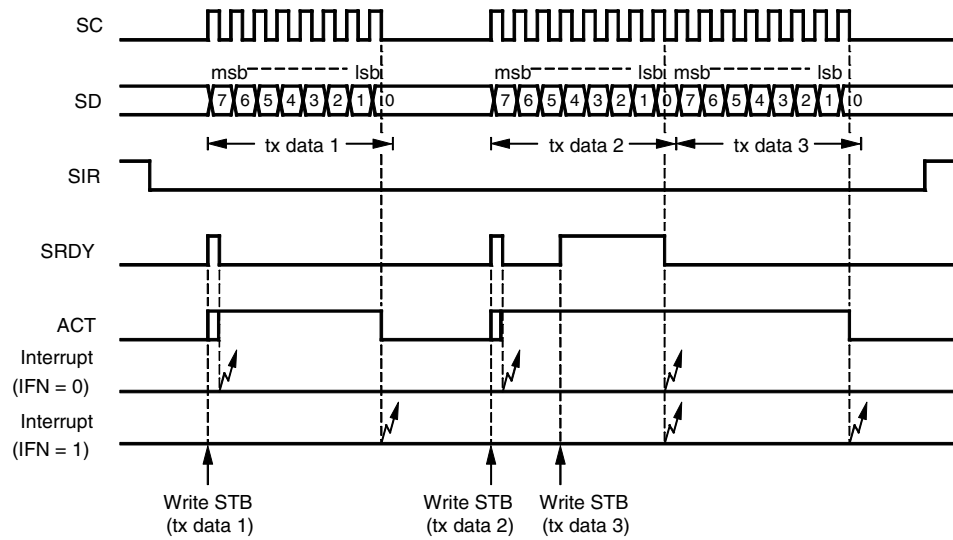
When used together with one of the timer modulator or demodulator stages, the SSI must be set in the 8-bit synchronous mode 1.

In RX mode, as soon as the SSI is activated (SIR = 0), 8 shift clocks are generated and the incoming serial data is shifted into the shift register. This first telegram is automatically transferred into the receive buffer and the SRDY is set to 0 indicating that the receive buffer contains valid data. At the same time an interrupt (if enabled) is generated. The SSI then continues shifting the following 8-bit telegram. If, during this time the first telegram has been read by the controller, the second telegram will also be transferred in the same way into the receive buffer and the SSI will continue clocking in the next telegram. Should, however, the first telegram not have been read (SRDY = 1), then the SSI will stop, temporarily holding the second telegram in the shift register until a certain point of time when the controller is able to service the receive buffer. In this way no data is lost or overwritten.

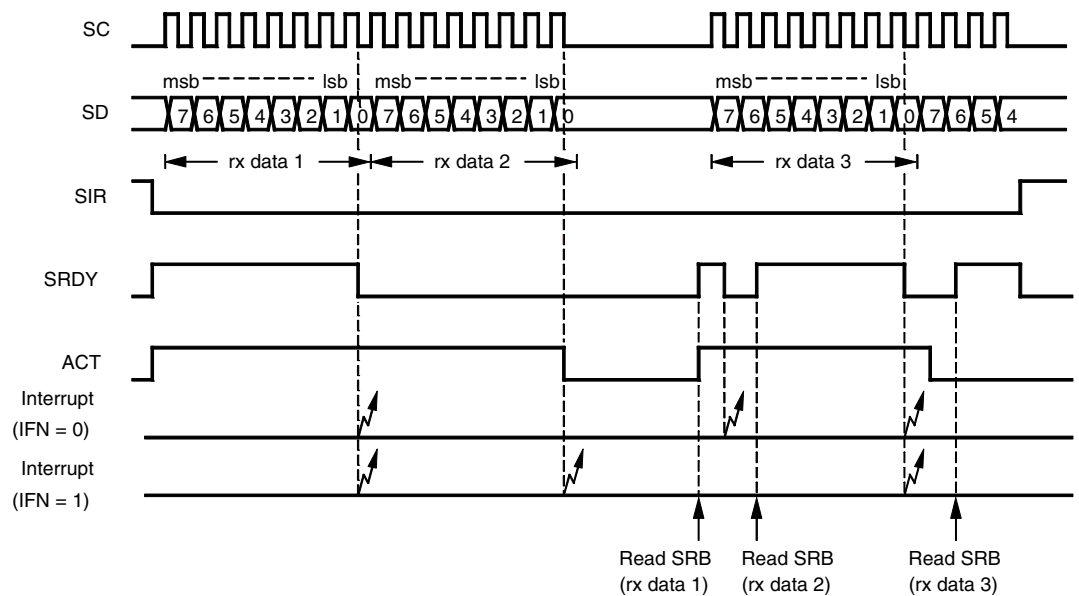


Deactivating the SSI (SIR = 1) in mid-telegram will immediately stop the shift clock and latch the present contents of the shift register into the receive buffer. This can be used for clocking in a data telegram less than 8 bits in length. Care should be taken to read out the final complete 8-bit data telegram of a multiple word message before deactivating the SSI (SIR = 1) and terminating the reception. After termination, the shift register contents will overwrite the receive buffer.

**Figure 5-40.** Example of an 8-bit Synchronous Transmit Operation



**Figure 5-41.** Example of an 8-bit Synchronous Receive Operation



### 5.3.4.5 9-bit Shift Mode

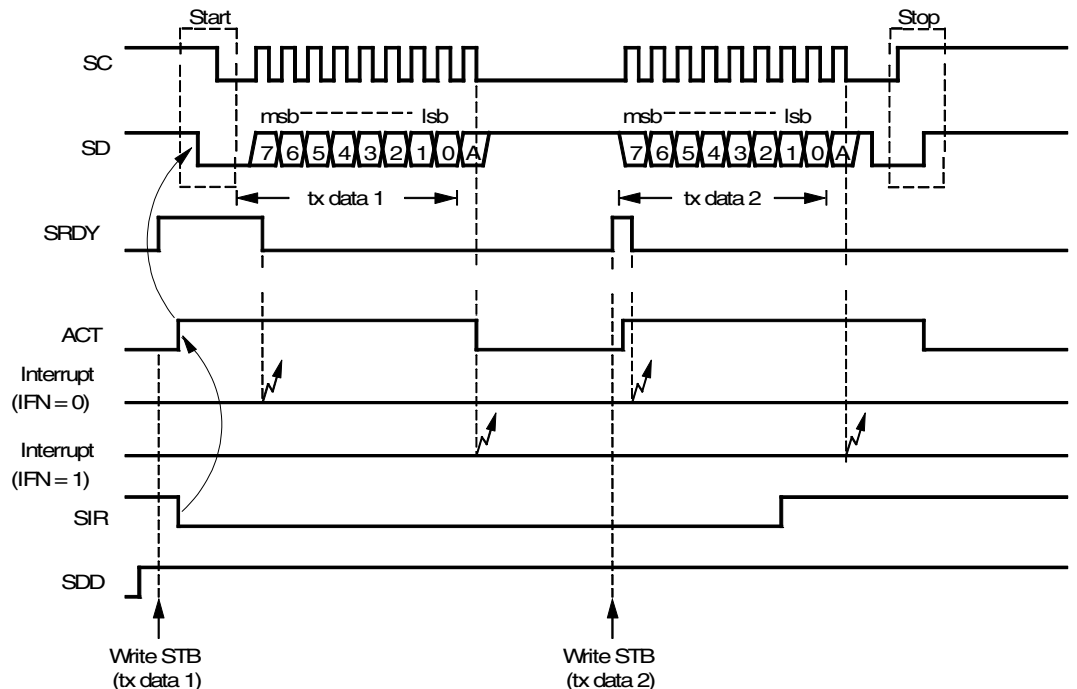
In the 9-bit shift mode, the SSI is able to handle the MCL protocol (described below). It always operates as an MCL master device, i.e., SC is always generated and output by the SSI. Both the MCL start and stop conditions are automatically generated whenever the SSI is activated or deactivated by the SIR-bit. In accordance with the MCL protocol, the output data is always changed in the clock low phase and shifted in on the high phase.

Before activating the SSI ( $SIR = 0$ ) and commencing an MCL dialog, the appropriate data direction for the first word must be set using the SDD control bit. The state of this bit controls the direction of the data port (BP43 or MCL\_SD). Once started, the 8 data bits are, depending on the selected direction, either clocked into or out of the shift register. During the 9th clock period, the port direction is automatically switched over so that the corresponding acknowledge bit can be shifted out or read in. In transmit mode, the acknowledge bit received from the device is captured in the SSI Status Register (TACK) where it can be read by the controller. In receive mode, the state of the acknowledge bit to be returned to the device is predetermined by the SSI Status Register (RACK).

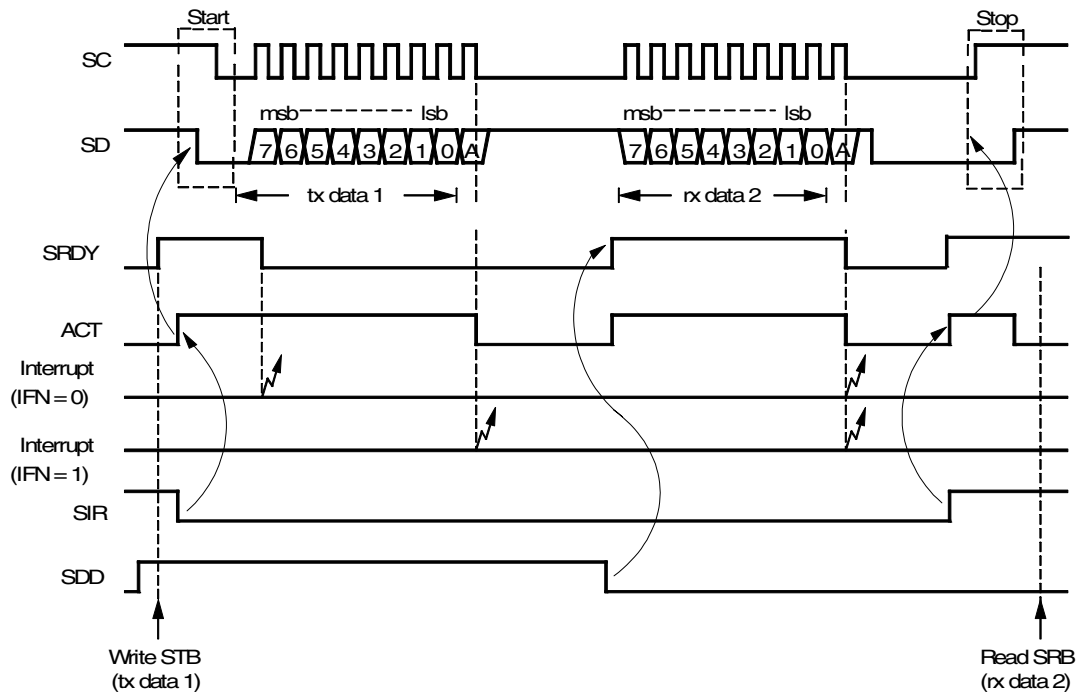
Changing the direction mode (TX/RX) should not be performed during the transfer of an MCL telegram. One should wait until the end of the telegram which can be detected using the SSI interrupt ( $IFN = 1$ ) or by interrogating the ACT status.

Once started, a 9-bit telegram will always run to completion and will not be prematurely terminated by the SIR bit. So, if the SIR-bit is set to 1 within the telegram, the SSI will complete the current transfer and terminate the dialog with an MCL stop condition.

**Figure 5-42.** Example of MCL Transmit Dialog



**Figure 5-43.** Example of MCL Receive Dialog



### 5.3.4.6 8-bit Pseudo MCL Mode

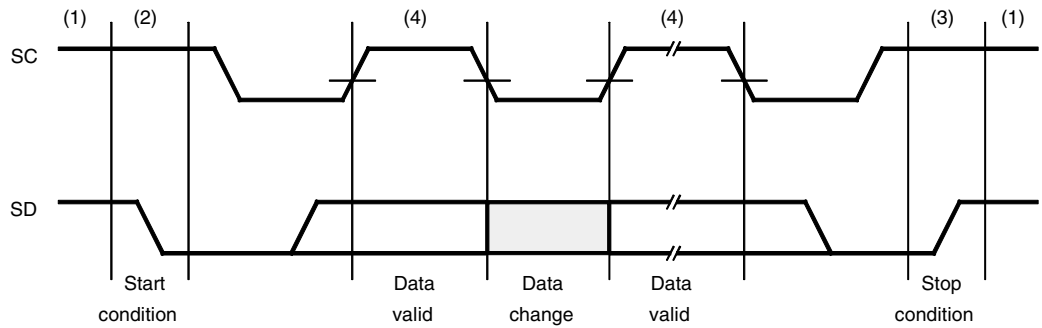
In this mode, the SSI exhibits all the typical MCL operational features except for the acknowledge-bit which is never expected or transmitted.

### 5.3.4.7 MCL Bus Protocol

The MCL protocol constitutes a simple 2-wire bi-directional communication highway via which devices can communicate control and data information. Although the MCL protocol can support multi-master bus configurations, the SSI in MCL mode is intended for use purely as a master controller on a single master bus system. So all reference to multiple bus control and bus contention will be omitted at this point.

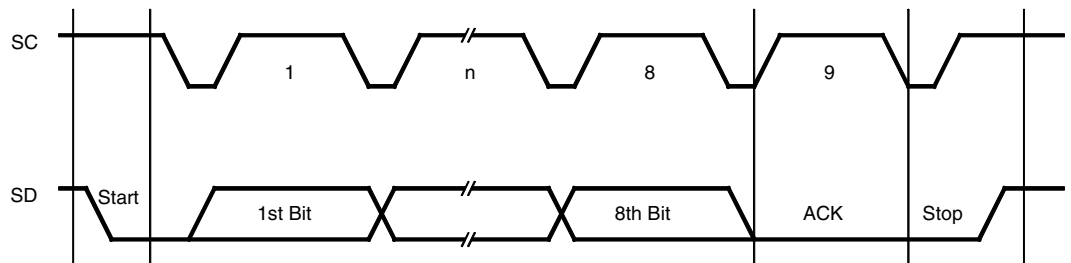
All data is packaged into 8-bit telegrams plus a trailing handshaking or acknowledge-bit. Normally the communication channel is opened with a so-called start condition, which initializes all devices connected to the bus. This is then followed by a data telegram, transmitted by the master controller device. This telegram usually contains an 8-bit address code to activate a single slave device connected onto the MCL bus. Each slave receives this address and compares it with its own unique address. The addressed slave device, if ready to receive data, will respond by pulling the SD line low during the 9th clock pulse. This represents a so-called MCL acknowledge. The controller detecting this affirmative acknowledge then opens a connection to the required slave. Data can then be passed back and forth by the master controller, each 8-bit telegram being acknowledged by the respective recipient. The communication is finally closed by the master device when the slave device is put back into standby by applying a stop condition onto the bus.

**Figure 5-44. MCL Bus Protocol 1**



- Bus not busy (1)** Both data and clock lines remain HIGH
- Start data transfer (2)** A HIGH to LOW transition of the SD line while the clock (SC) is HIGH defines a START condition
- Stop data transfer (3)** A LOW to HIGH transition of the SD line while the clock (SC) is HIGH defines a STOP condition
- Data valid (4)** The state of the data line represents valid data when, after the START condition, the data line is stable for the duration of the HIGH period of the clock signal
- Acknowledge** All address and data words are serially transmitted to and from the device in 8-bit words. The receiving device returns a zero on the data line during the ninth clock cycle to acknowledge a word receipt.

**Figure 5-45. MCL Bus Protocol 2**



### 5.3.4.8 SSI Interrupt

The SSI interrupt INT3 can be generated either by an SSI buffer register status (i.e., transmit buffer empty or receive buffer full), the end of SSI data telegram or on the falling edge of the SC/SD pins on Port 4 (see P4CR). SSI interrupt selection is performed by the Interrupt Function control bit (IFN). The SSI interrupt is usually used to synchronize the software control of the SSI and inform the controller of the present SSI status. The Port 4 interrupts can be used together with the SSI or, if the SSI itself is not required, as additional external interrupt sources. In either case this interrupt is capable of waking the controller out of sleep mode.

To enable and select the SSI relevant interrupts use the SSI Interrupt Mask (SIM) and the Interrupt Function (IFN) while Port 4 interrupts are enabled by setting appropriate control bits in the P4CR register.

### 5.3.4.9 Modulation and Demodulation

If the shift register is used together with Timer 2 or Timer 3 for modulation or demodulation purposes, the 8-bit synchronous mode must be used. In this case, the unused Port 4 pins can be used as conventional bi-directional ports.

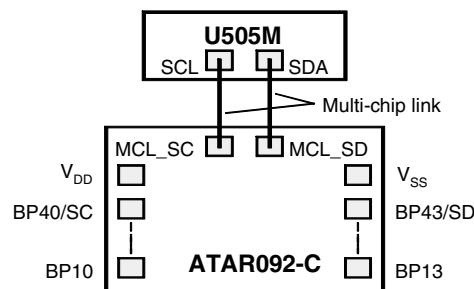
The modulation and demodulation stages, if enabled, operate as soon as the SSI is activated (SIR = 0) and cease when deactivated (SIR = 1).

Due to the byte-orientated data control, the SSI (when running normally) generates serial bit streams which are submultiples of 8 bits. An SSI Output Masking (OMSK) function permits, however, the generation of bit streams of any length. The OMSK signal is derived indirectly from the 4-bit prescaler of Timer 2 and masks out a programmable number of unrequired trailing data bits during the shifting out of the final data word in the bit stream. The number of non-masked data bits are defined by the value pre-programmed in the prescaler compare register. To use output masking, the Modulator Stop Mode bit (MSM) must be set to 0 before programming the final data word into the SSI transmit buffer. This in turn, enables shift clocks to the prescaler when this final word is shifted out. On reaching the compare value, the prescaler triggers the OMSK signal and all following data bits are blanked.

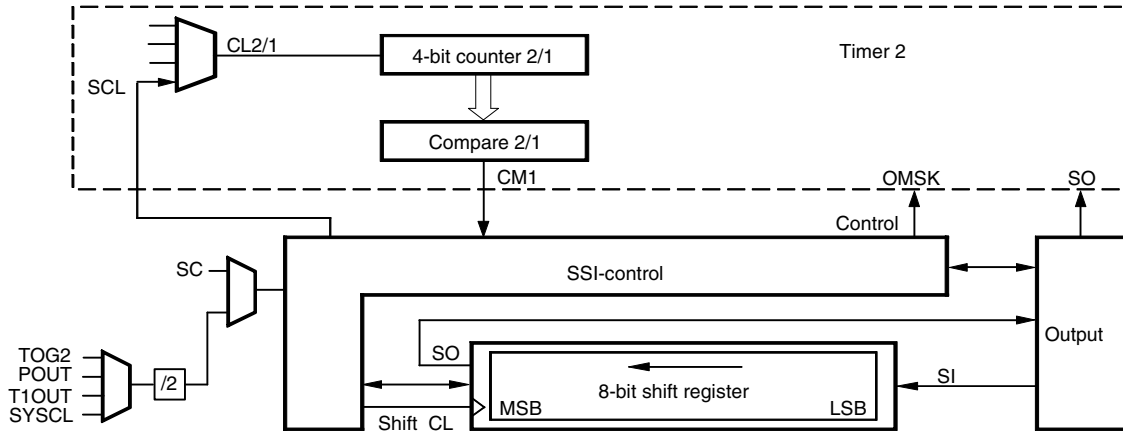
### 5.3.4.10 Internal 2-wire Multi-chip Link

Two additional on-chip pads (MCL\_SC and MCL\_SD) for the SC and the SD line can be used as chip-to-chip links for multi-chip applications. These pads can be activated by setting the MCL-bit in the SISC register.

**Figure 5-46.** Multi-chip Link



**Figure 5-47. SSI Output Masking Function**



5.3.4.11 Serial Interface Control Register 1 (SIC1)

Auxiliary register address: '9'hex

	Bit 3	Bit 2	Bit 1	Bit 0	
<b>SIC1</b>	<b>SIR</b>	<b>SCD</b>	<b>SCS1</b>	<b>SCS0</b>	<b>Reset value: 1111b</b>

**SIR** Serial Interface **R**eset  
 SIR = 1, SSI inactive  
 SIR = 0, SSI active

**SCD** Serial **C**lock **D**irection  
 SCD = 1, SC line used as output  
 SCD = 0, SC line used as input

**Note:** This bit has to be set to '1' during the MCL mode and the Timer 3 mode 10 or 11

**SCS1** Serial **C**lock source **S**elect bit **1**  
**SCS0** Serial **C**lock source **S**elect bit **0**

**Note:** With SCD = '0' the bits SCS1 and SCS0 are insignificant

**Table 5-16. Serial Clock Source Select Bits**

SCS1	SCS0	Internal Clock for SSI
1	1	YSYCL/2
1	0	T1OUT/2
0	1	POUT/2
0	0	TOG2/2

- In Transmit mode (SDD = 1) shifting starts only if the transmit buffer has been loaded (SRDY = 1).
- Setting SIR-bit loads the contents of the shift register into the receive buffer (synchronous 8-bit mode only).
- In MCL modes, writing a 0 to SIR generates a start condition and writing a 1 generates a stop condition.

### 5.3.4.12 Serial Interface Control Register 2 (SIC2)

Auxiliary register address: 'A'hex

	Bit 3	Bit 2	Bit 1	Bit 0	
<b>SIC2</b>	<b>MSM</b>	<b>SM1</b>	<b>SM0</b>	<b>SDD</b>	<b>Reset value: 1111b</b>

- MSM**      **Modular Stop Mode**  
 MSM = 1, modulator stop mode disabled (output masking off)  
 MSM = 0, modulator stop mode enabled (output masking on) - used in modulation modes for generating bit-streams which are not submultiples of 8 bits.
- SM1**      **Serial Mode control bit 1**
- SM0**      **Serial Mode control bit 0**

**Table 5-17.** Serial Mode Control Bits

Mode	SM1	SM0	SSI Mode
1	1	1	8-bit NRZ-data changes with the rising edge of SC
2	1	0	8-bit NRZ-data changes with the falling edge of SC
3	0	1	9-bit two-wire MCL mode
4	0	0	8-bit two-wire pseudo MCL mode (no acknowledge)

- SDD**      **Serial Data Direction**  
 SDD = 1, transmit mode – SD line used as output (transmit data). SRDY is set by a transmit buffer write access  
 SDD = 0, receive mode – SD line used as input (receive data). SRDY is set by a receive buffer read access

Note: SDD controls port directional control and defines the reset function for the SRDY-flag

### 5.3.4.13 Serial Interface Status and Control Register (SISC)

Primary register address: 'A'hex

	Bit 3	Bit 2	Bit 1	Bit 0	
Write	<b>MCL</b>	<b>RACK</b>	<b>SIM</b>	<b>IFN</b>	<b>Reset value: 1111b</b>
Read	–	<b>TACK</b>	<b>ACT</b>	<b>SRDY</b>	

- MCL** Multi-Chip Link activation  
MCL = 1, multi-chip link disabled. **This bit has to be set to 0 during transactions to/from the EEPROM of the ATAR892-C**  
MCL = 0, connects SC and SD additionally to the internal multi-chip link pads
- RACK** Receive **ACK**nowledge status/control bit for MCL mode  
RACK = 0, transmit acknowledge in next receive telegram  
RACK = 1, transmit no acknowledge in last receive telegram
- TACK** Transmit **ACK**nowledge status/control bit for MCL mode  
TACK = 0, acknowledge received in last transmit telegram  
TACK = 1, no acknowledge received in last transmit telegram
- SIM** Serial Interrupt **M**ask  
SIM = 1, disable interrupts  
SIM = 0, enable serial interrupt. An interrupt is generated.
- IFN** Interrupt **FuN**ction  
IFN = 1, the serial interrupt is generated at the end of the telegram  
IFN = 0, the serial interrupt is generated when the SRDY goes low (i.e., buffer becomes empty/full in transmit/receive mode)
- SRDY** Serial interface buffer **ReaDY** status flag  
SRDY = 1, in receive mode: receive buffer empty  
in transmit mode: transmit buffer full  
SRDY = 0, in receive mode: receive buffer full  
in transmit mode: transmit buffer empty
- ACT** Transmission **ACT**ive status flag  
ACT = 1, transmission is active, i.e., serial data transfer. Stop or start conditions are currently in progress.  
ACT = 0, transmission is inactive

### 5.3.4.14 Serial Transmit Buffer (STB) – Byte Write

Primary register address: '9'hex

STB	First write cycle	Bit 3	Bit 2	Bit 1	Bit 0	Reset value: xxxxb
	Second write cycle	Bit 7	Bit 6	Bit 5	Bit 4	Reset value: xxxxb

The STB is the transmit buffer of the SSI. The SSI transfers the transmit buffer into the shift register and starts shifting with the most significant bit.



## 5.3.4.15 Serial Receive Buffer (SRB) – Byte Read

Primary register address: '9'hex

<b>SRB</b>	<b>First read cycle</b>	<b>Bit 7</b>	<b>Bit 6</b>	<b>Bit 5</b>	<b>Bit 4</b>	<b>Reset value: xxxxb</b>
	<b>Second read cycle</b>	<b>Bit 3</b>	<b>Bit 2</b>	<b>Bit 1</b>	<b>Bit 0</b>	<b>Reset value: xxxxb</b>

The SRB is the receive buffer of the SSI. The shift register clocks serial data in (most significant bit first) and the loads content into the receive buffer when the complete telegram has been received.

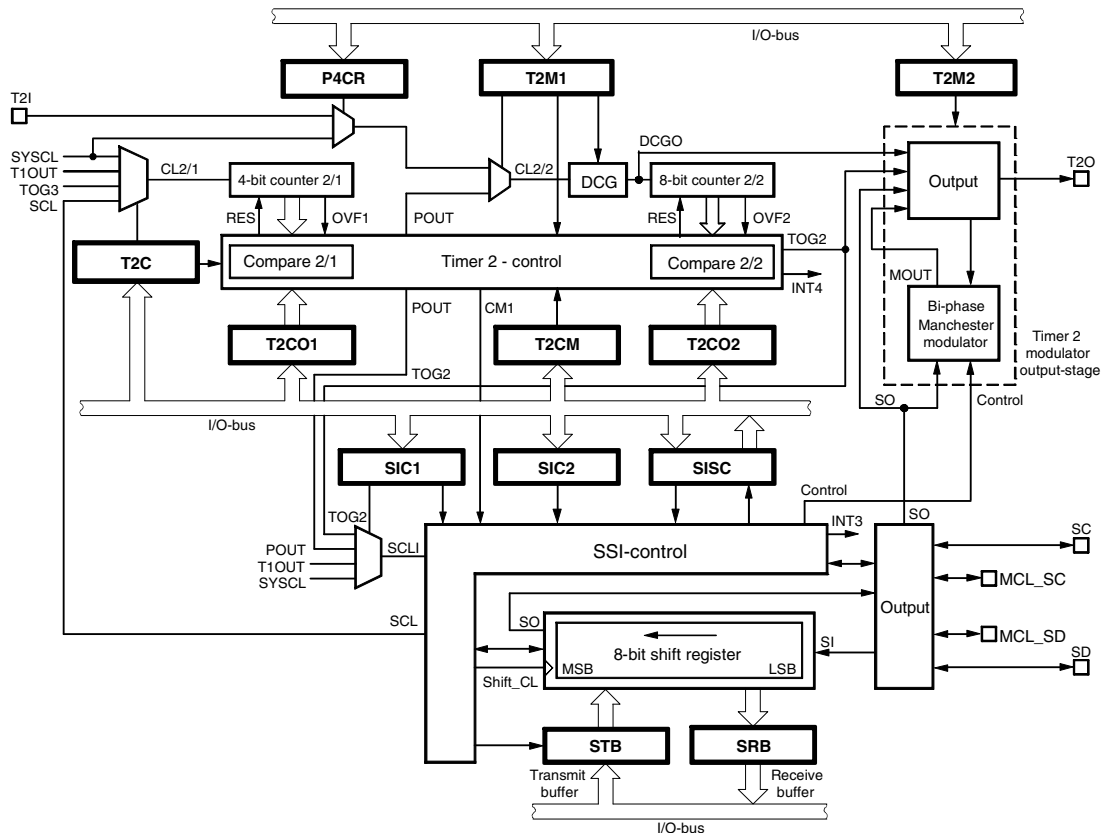
## 5.3.5 Combination Modes

The UTCM consists of two timers (Timer 2 and Timer 3) and a serial interface. There is a multitude of modes in which the timers and serial interface can work together.

The 8-bit wide serial interface operates as a shift register for modulation and demodulation. The modulator and demodulator units work together with the timers and shift the data bits into or out of the shift register.

### 5.3.5.1 Combination Mode Timer 2 and SSI

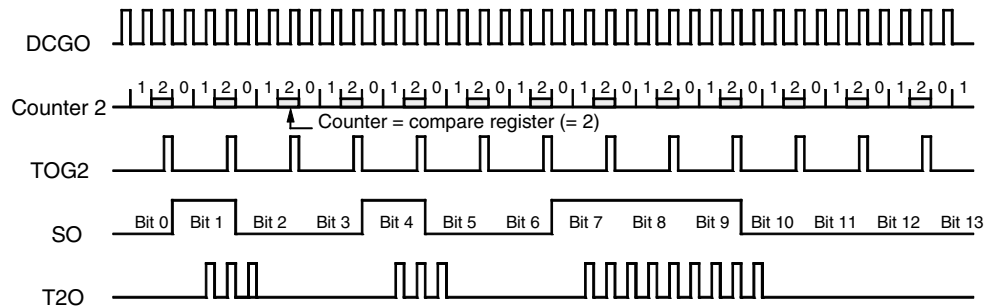
**Figure 5-48.** Combination Timer 2 and SSI



### Combination Mode 1: Burst Modulation

- SSI mode 1: 8-bit NRZ and internal data SO output to Timer 2 modulator stage
- Timer 2 mode 1, 2, 3 or 4: 8-bit compare counter with 4-bit programmable prescaler and DCG
- Timer 2 output mode 3: Duty cycle burst generator

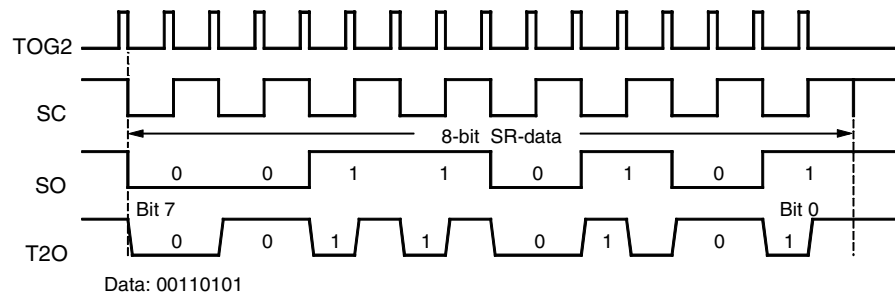
**Figure 5-49.** Carrier Frequency Burst Modulation with the SSI Internal Data Output



### Combination Mode 2: Bi-phase Modulation 1

- SSI mode 1: 8-bit shift register internal data output (SO) to Timer 2 modulator stage
- Timer 2 mode 1, 2, 3 or 4: 8-bit compare counter with 4-bit programmable prescaler
- Timer 2 output mode 4: The modulator 2 of Timer 2 modulates the SSI internal data output to Bi-phase-code

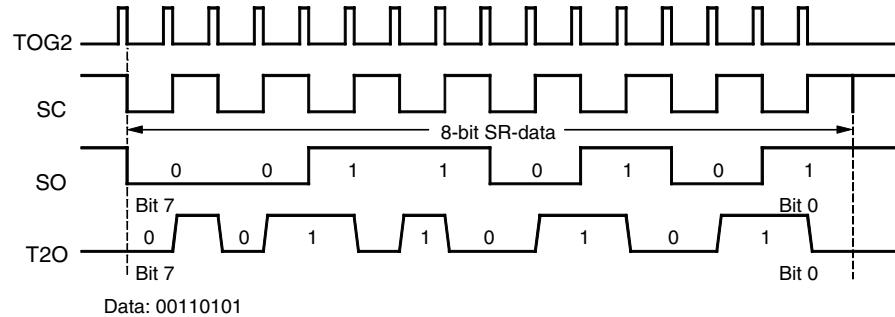
**Figure 5-50.** Bi-phase Modulation 1



## Combination Mode 3: Manchester Modulation 1

- SSI mode 1: 8-bit shift register internal data output (SO) to Timer 2 modulator stage
- Timer 2 mode 1, 2, 3 or 4: 8-bit compare counter with 4-bit programmable prescaler
- Timer 2 output mode 5: The modulator 2 of Timer 2 modulates the SSI internal data output to Manchester-code

**Figure 5-51.** Manchester Modulation 1

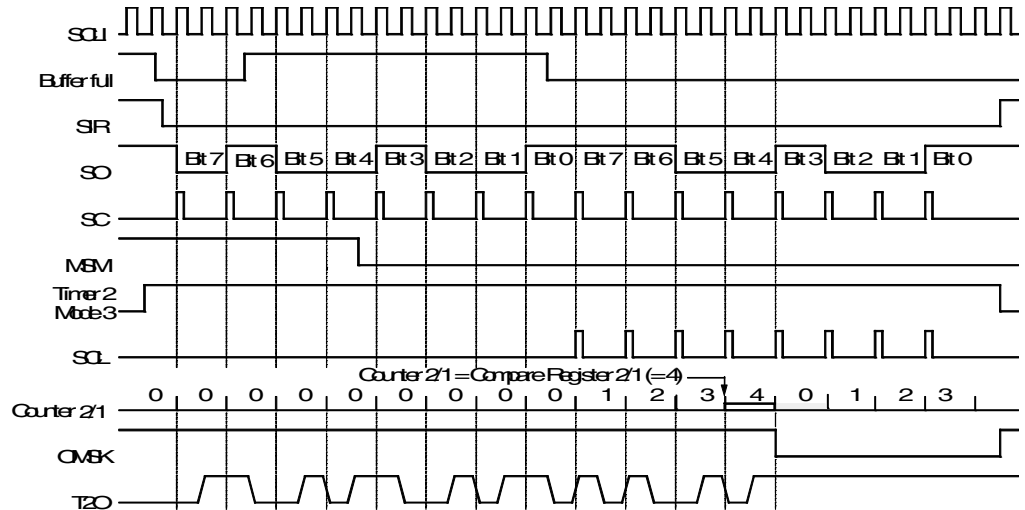


## Combination Mode 4: Manchester Modulation 2

- SSI mode 1: 8-bit shift register internal data output (SO) to Timer 2 modulator stage
- Timer 2 mode 3: 8-bit compare counter and 4-bit prescaler
- Timer 2 output mode 5: The modulator 2 of Timer 2 modulates the SSI data output to Manchester-code

The 4-bit stage can be used as a prescaler for the SSI to generate the stop signal for modulator 2. The SSI has a special mode to supply the prescaler with the shift clock. The control output signal (OMSK) of the SSI is used as a stop signal for the modulator. [Figure 5-52 on page 76](#) shows an example for a 12-bit Manchester telegram.

**Figure 5-52. Manchester Modulation 2**

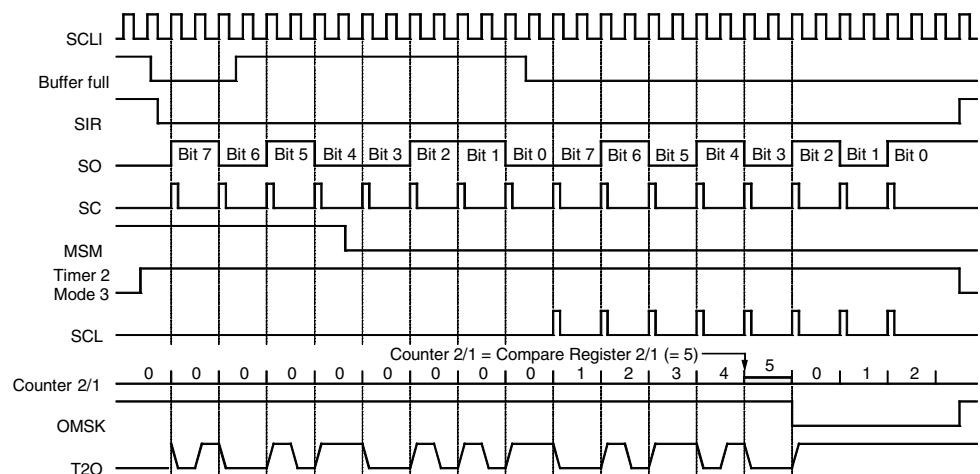


**Combination Mode 5: Bi-phase Modulation 2**

- SSI mode 1: 8-bit shift register internal data output (SO) to Timer 2 modulator stage
- Timer 2 mode 3: 8-bit compare counter and 4-bit prescaler
- Timer 2 output mode 4: The modulator 2 of Timer 2 modulates the SSI data output to Bi-phase-code

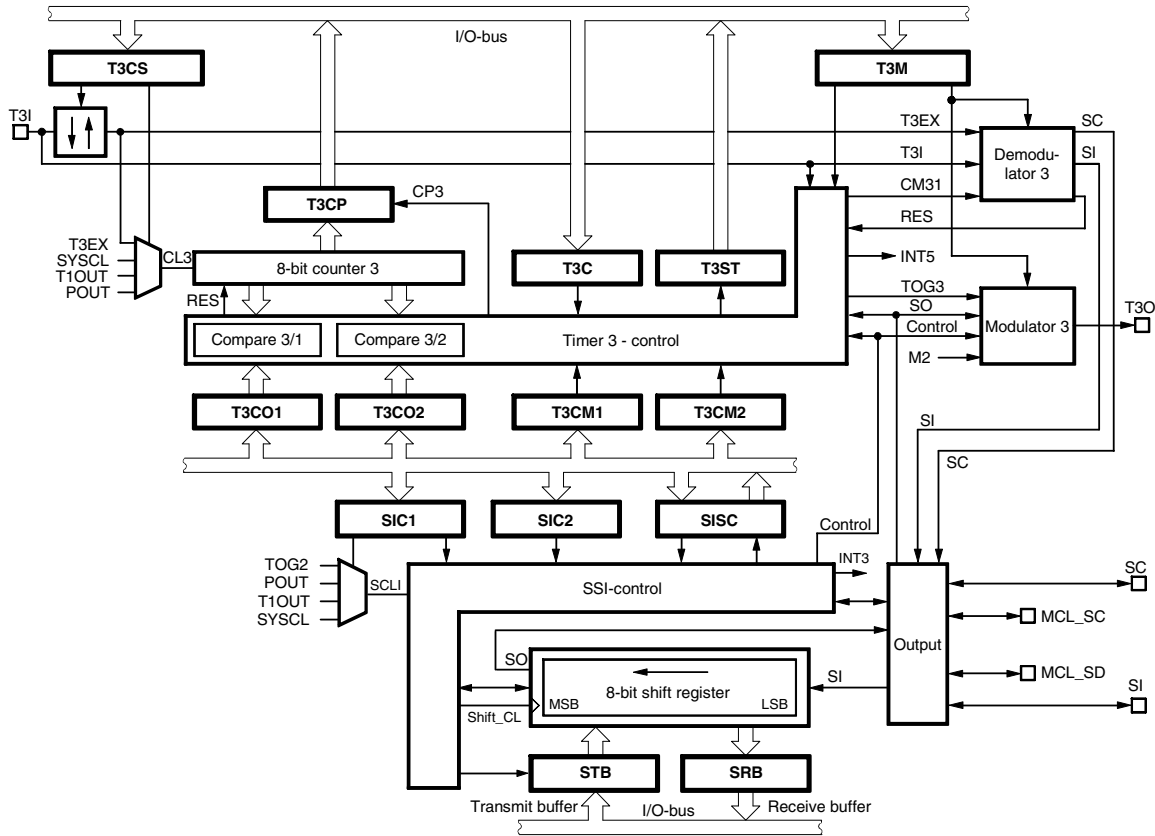
The 4-bit stage can be used as a prescaler for the SSI to generate the stop signal for modulator 2. The SSI has a special mode to supply the prescaler via the shift clock. The control output signal (OMSK) of the SSI is used as a stop signal for the modulator. [Figure 5-53](#) shows an example for a 13-bit Bi-phase telegram.

**Figure 5-53. Bi-phase Modulation 2**



5.3.5.2 Combination Mode Timer 3 and SSI

Figure 5-54. Combination Timer 3 and SSI



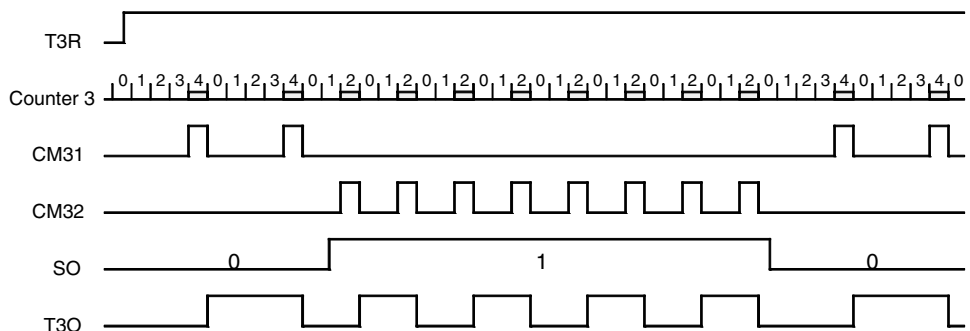
Combination Mode 6: FSK Modulation

SSI mode 1: 8-bit shift register internal data output (SO) to Timer 3

Timer 3 mode 8: FSK modulation with shift register data (SO)

The two compare registers are used to generate two varied time intervals. The SSI data output selects which compare register is used for the output frequency generation. A 0 level at the SSI data output enables the compare register 1 and a 1 level enables the compare register 2. The compare and compare mode registers must be programmed to generate the two frequencies via the output toggle flip flop. The SSI can be supplied with the toggle signal of Timer 2 or any other clock source. Timer 3 counter is driven by an internal or external clock source.

Figure 5-55. FSK Modulation 1



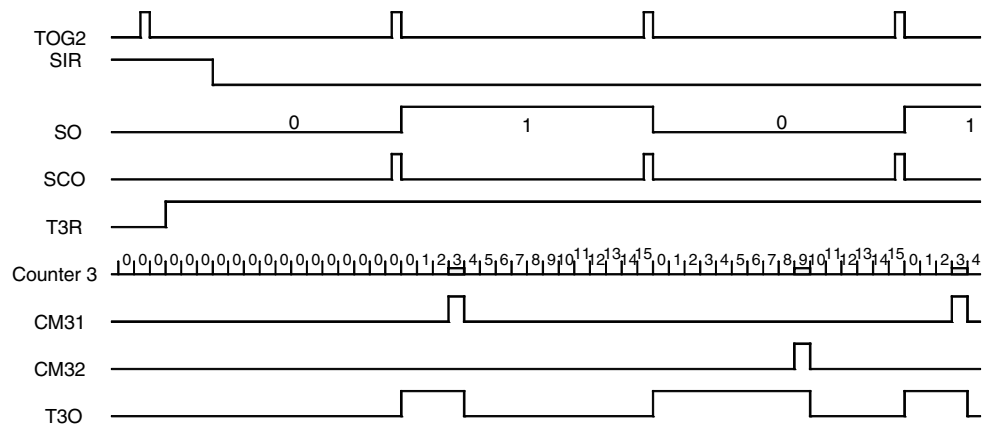
### Combination Mode 7: Pulse-width Modulation (PWM)

SSI mode 1: 8-bit shift register internal data output (SO) to Timer 3

Timer 3 mode 9: Pulse-width modulation with the shift register data (SO)

The two compare registers are used to generate two varied time intervals. The SSI data output selects which compare register is used for the output pulse generation. In this mode, both compare and compare mode registers must be programmed to generate the two pulse-widths. It is also useful to enable the single-action mode for extreme duty cycles. Timer 2 is used as baud rate generator and for the triggered restart of Timer 3. The SSI must be supplied with the toggle signal of Timer 2. The counter is driven by an internal or external clock source.

**Figure 5-56.** Pulse-width Modulation



### Combination Mode 8: Manchester Demodulation/Pulse-width Demodulation

SSI mode 1: 8-bit shift register internal data input (SI) and the internal shift clock (SCI) from the Timer 3

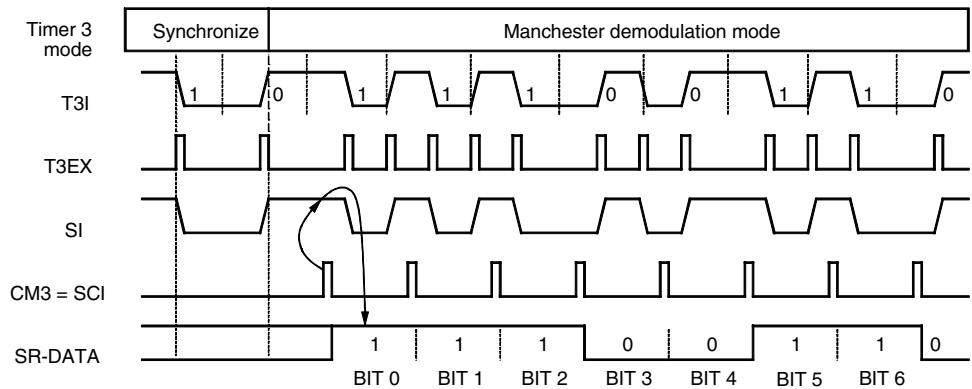
Timer 3 mode 10: Manchester demodulation/pulse-width demodulation with Timer 3

For Manchester demodulation, the edge detection stage must be programmed to detect each edge at the input. These edges are evaluated by the demodulator stage. The timer stage is used to generate the shift clock for the SSI. A compare register 1 match event defines the correct moment for shifting the state from the input T3I as the decoded bit into shift register. After that, the demodulator waits for the next edge to synchronize the timer by a reset for the next bit. The compare register 2 can be used to detect a time error and handle it with an interrupt routine.

Before activating the demodulator mode the timer and the demodulator stage must be synchronized with the bit-stream. The Manchester-code timing consists of parts with the half bit-length and the complete bit-length. A synchronization routine must start the demodulator after an interval with the complete bit-length.

The counter can be driven by any internal clock source. The output T3O can be used by Timer 2 in this mode. The Manchester decoder can also be used for pulse-width demodulation. The input must be programmed to detect the positive edge. The demodulator and timer must be synchronized with the leading edge of the pulse. After that a counter match with the compare register 1 shifts the state at the input T3I into the shift register. The next positive edge at the input restarts the timer.

**Figure 5-57. Manchester Demodulation**



### Combination Mode 9: Bi-phase Demodulation

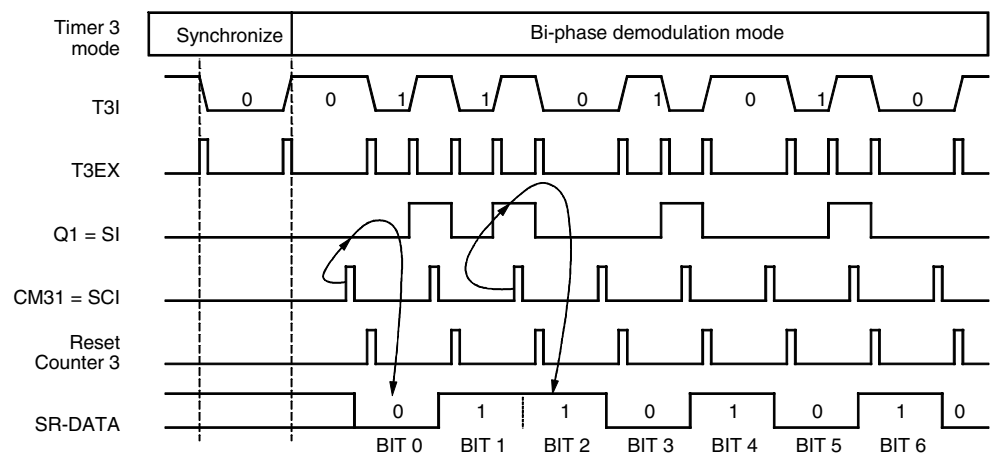
SSI mode 1: 8-bit shift register internal data input (SI) and the internal shift clock (SCI) from Timer 3

Timer 3 mode 11: Bi-phase demodulation with Timer 3

In the Bi-phase demodulation mode the timer works like in the Manchester demodulation mode. The difference is that the bits are decoded with the toggle flip-flop. This flip-flop samples the edge in the middle of the bit-frame and the compare register 1 match event shifts the toggle flip-flop output into the shift register. Before activating the demodulation the timer and the demodulation stage must be synchronized with the bit-stream. The Bi-phase code timing consists of parts with the half bit-length and the complete bit-length. The synchronization routine must start the demodulator after an interval with the complete bit-length.

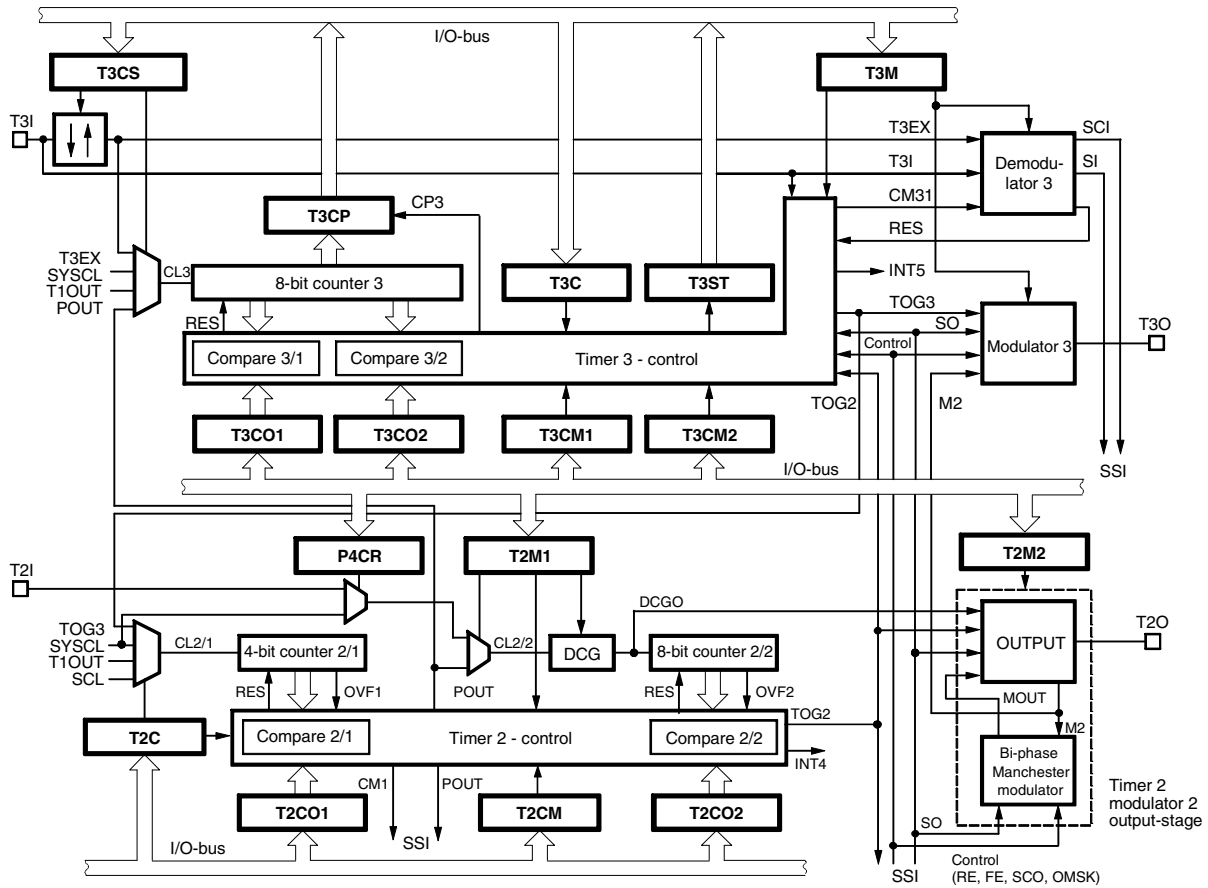
The counter can be driven by any internal clock source and the output T3O can be used by Timer 2 in this mode.

**Figure 5-58. Bi-phase Demodulation**



5.3.5.3 Combination Mode Timer 2 and Timer 3

Figure 5-59. Combination Timer 3 and Timer 2



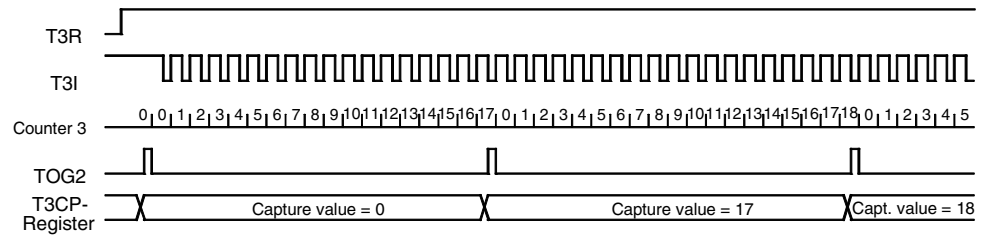
**Combination Mode 10: Frequency Measurement or Event Counter with Time Gate**

- Timer 2 mode 1/2: 12-bit compare counter/8-bit compare counter and 4-bit prescaler
- Timer 2 output mode 1/6: Timer 2 compare match toggles (TOG2) to Timer 3
- Timer 3 mode 3: Timer/Counter; internal trigger restart and internal capture (with Timer 2 TOG2-signal)

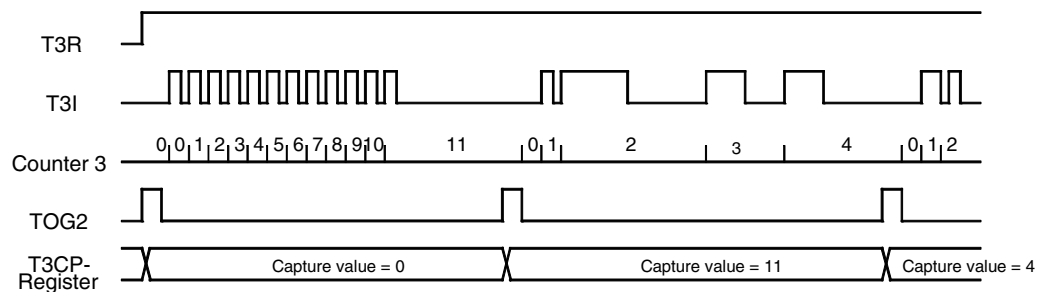
The counter is driven by an external (T3I) clock source. The output signal (TOG2) of Timer 2 resets the counter. The counter value before reset is saved in the capture register. If single-action mode is activated for one or both compare registers, the trigger signal also restarts the single action. This mode can be used for frequency measurements or as event counter with time gate.



**Figure 5-60. Frequency Measurement**



**Figure 5-61. Event Counter with Time Gate**

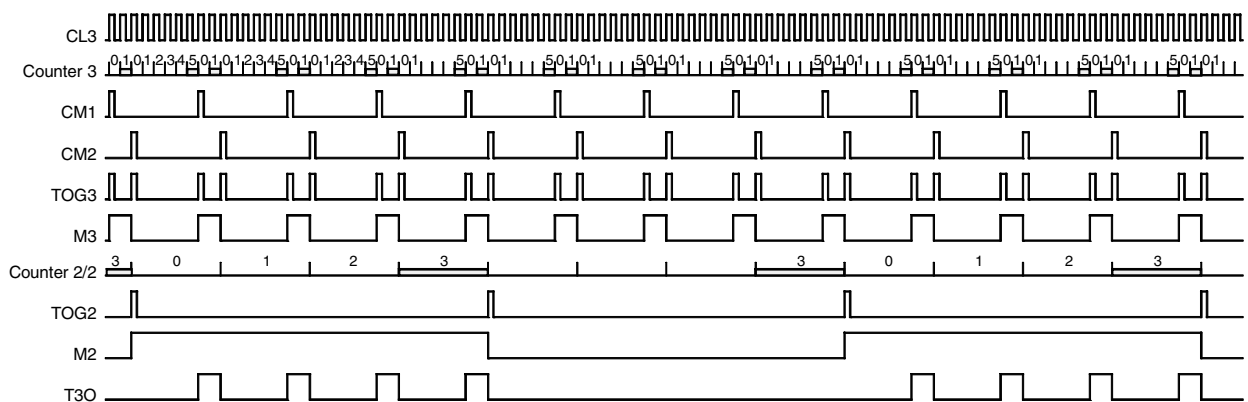


### Combination Mode 11: Burst Modulation 1

- Timer 2 mode 1/2: 12-bit compare counter/8-bit compare counter and 4-bit prescaler
- Timer 2 output mode 1/6: Timer 2 compare match toggles the output flip-flop (M2) to Timer 3
- Timer 3 mode 6: Carrier frequency burst modulation controlled by Timer 2 output (M2)

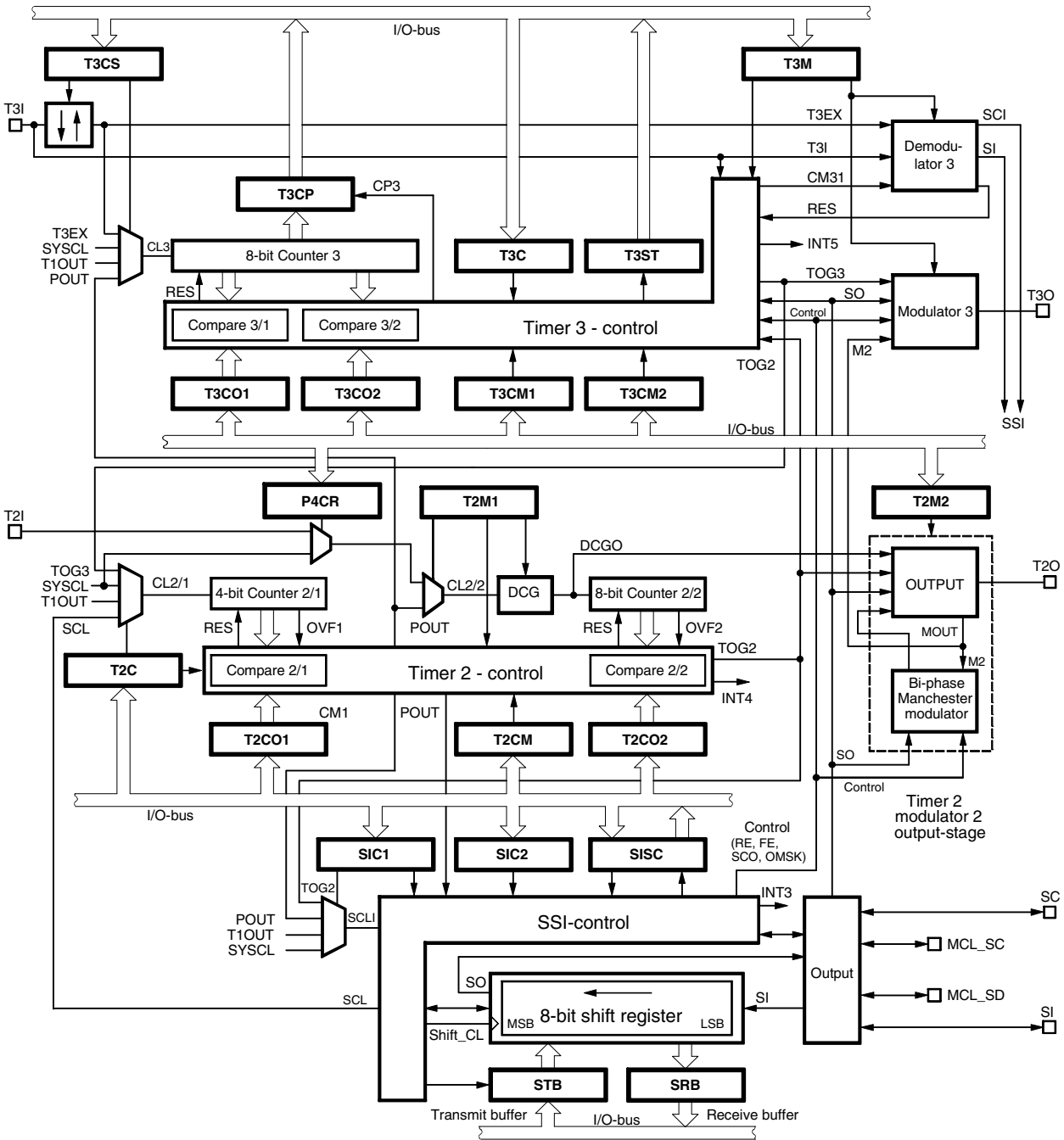
Timer 3 counter is driven by an internal or external clock source. Its compare and compare mode registers must be programmed to generate the carrier frequency with the output toggle flip-flop. The output toggle flip-flop (M2) of Timer 2 is used to enable and disable Timer 3 output. Timer 2 can be driven by the toggle output signal of Timer 3 (TOG3) or any other clock source.

**Figure 5-62. Burst Modulation 1**



5.3.5.4 Combination Mode Timer 2, Timer 3 and SSI

Figure 5-63. Combination Timer 2, Timer 3 and SSI

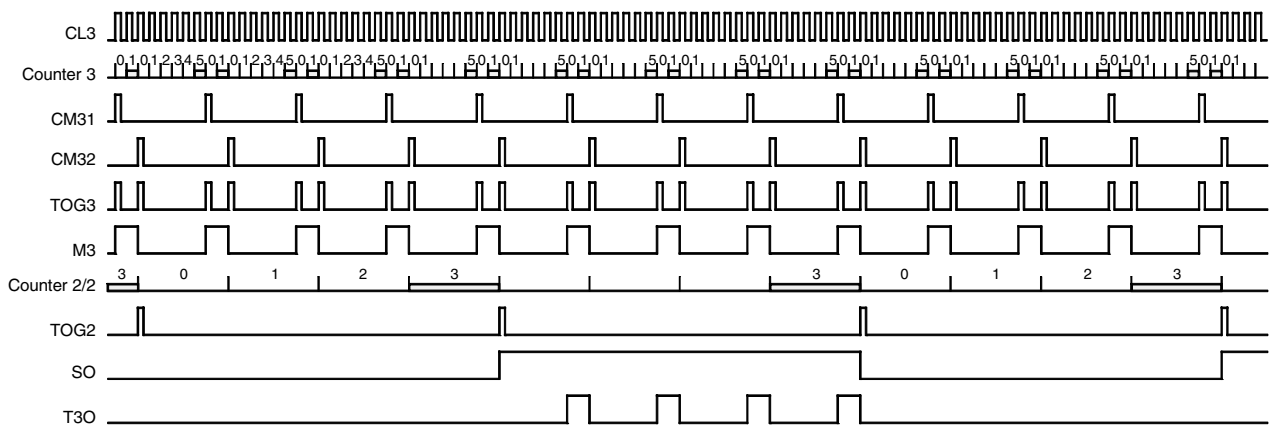


## Combination Mode 12: Burst Modulation 2

- SSI mode 1: 8-bit shift register internal data output (SO) to Timer 3
- Timer 2 output mode 2: 8-bit compare counter and 4-bit prescaler
- Timer 2 output mode 1/6: Timer 2 compare match toggles (TOG2) to the SSI
- Timer 3 mode 7: Carrier frequency burst modulation controlled by the internal output (SO) of SSI

The Timer 3 counter is driven by an internal or external clock source. Its compare and compare mode registers must be programmed to generate the carrier frequency with the output toggle flip-flop (M3). The internal data output (SO) of the SSI is used to enable and disable Timer 3 output. The SSI can be supplied with the toggle signal of Timer 2.

**Figure 5-64. Burst Modulation 2**

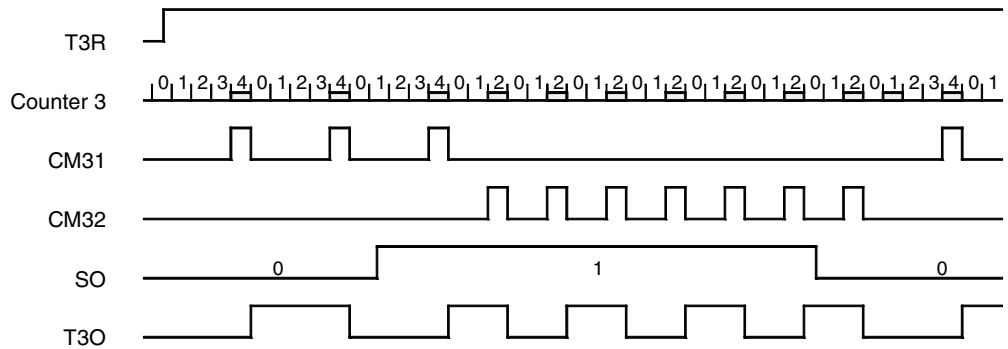


## Combination Mode 13: FSK Modulation

- SSI mode 1: 8-bit shift register internal data output (SO) to Timer 3
- Timer 2 output mode 3: 8-bit compare counter and 4-bit prescaler
- Timer 2 output mode 1/6: Timer 2 4-bit compare match signal (POUT) to the SSI
- Timer 3 mode 8: FSK modulation with shift register data output (SO)

The two compare registers are used to generate two different time intervals. The SSI data output selects which compare register is used for the output frequency generation. A 0 level at the SSI data output enables the compare register 1 and a 1 level enables the compare register 2. The compare- and compare mode registers must be programmed to generate the two frequencies via the output toggle flip-flop. The SSI can be supplied with the toggle signal of Timer 2 or any other clock source. Timer 3 counter is driven by an internal or external clock source.

**Figure 5-65. FSK Modulation**



## 6. ATAR892-C

The ATAR892-C is a multi-chip device which offers a combination of a MARC4-based microcontroller and a serial E2PROM data memory in a single package.

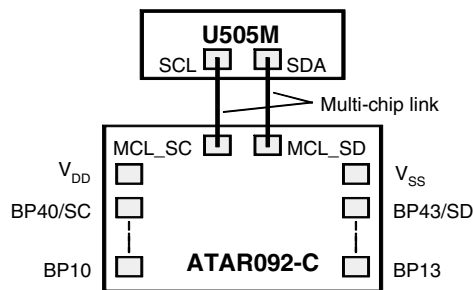
The ATAR092-C is used as a microcontroller and the U5005M is used as serial E2PROM. Two internal lines can be used as chip-to-chip link in a single package. The maximum internal data communication frequency between the ATAR092-C and the U5005M over the chip link (MCL\_SC and MCL\_SD) is  $f_{SC\_MCL} = 500$  kHz.

The microcontroller and the EEPROM portions of this multi-chip device are equivalent to their respective individual component chips, except for the electrical specification.

### 6.1 Internal 2-wire Multi-chip Link

Two additional on-chip pads (MCL\_SC and MCL\_SD) for the SC and the SD lines can be used as chip-to-chip links for multi-chip applications. These pads can be activated by setting the MCL-bit in the SISC register.

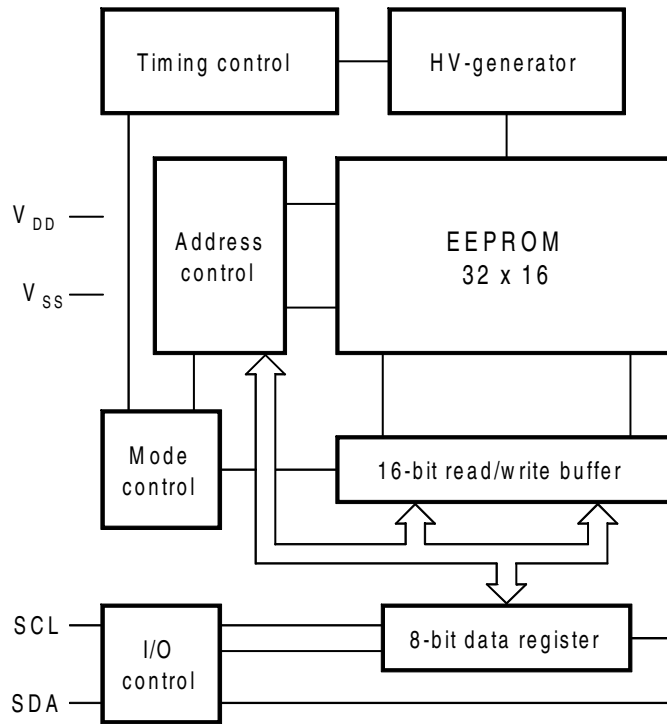
**Figure 6-1. Multi-chip Link**



## 6.2 U505M EEPROM

The U505M is a 512-bit EEPROM internally organized as 32 x 16 bits. The programming voltage as well as the write-cycle timing is generated on-chip. The U505M features a serial interface allowing operation on a simple two-wire bus with an MCL protocol. Its low power consumption makes it well suited for battery applications.

**Figure 6-2.** Block Diagram EEPROM



### 6.2.1 Serial Interface

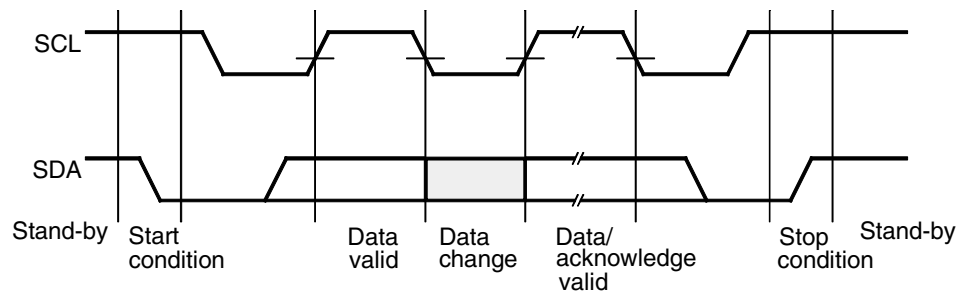
The U505M has a two-wire serial interface to the microcontroller for read and write accesses to the EEPROM. The U505M is considered to be a slave in all these applications. That means, the controller has to be the master that initiates the data transfer and provides the clock for transmit and receive operations.

The serial interface is controlled by the ATAR892-C microcontroller which generates the serial clock and controls the access via the SCL-line and SDA-line. SCL is used to clock the data into and out of the device. SDA is a bi-directional line that is used to transfer data into and out of the device. The following protocol is used for data transfers.

### 6.2.1.1 Serial Protocol

- Data states on the SDA-line change only while SCL is low.
- Changes on the SDA line while SCL is high are interpreted as START or STOP conditions.
- A START condition is defined as a high to low transition on the SDA-line while the SCL-line is high.
- A STOP condition is defined as a low to high transition on the SDA-line while the SCL-line is high.
- Each data transfer must be initialized with a START condition and terminated with a STOP condition. The START condition wakes the device from standby mode and the STOP condition returns the device to standby mode.
- A receiving device generates an acknowledge (A) after the reception of each byte. This requires an additional clock pulse, generated by the master. If the reception was successful the receiving master or slave device pulls down the SDA-line during that clock cycle. If an acknowledge is not detected (N) by the interface in transmit mode, it will terminate further data transmissions and go into receive mode. A master device must finish its read operation by a non-acknowledge and then send a stop condition to bring the device into a known state.

**Figure 6-3.** MCL Protocol



- Before the START condition and after the STOP condition the device is in standby mode and the SDA line is switched as input with pull-up resistor.
- The control byte that follows the START condition determines the following operation. It consists of the 5-bit row address, 2 mode control bits and the READ/ NWRITE bit that is used to control the direction of the following transfer. A 0 defines a write access and a 1 a read access.

### 6.2.1.2 Control Byte Format

	EEPROM Address					Mode Control Bits		Read/ NWrite	
Start	A4	A3	A2	A1	A0	C1	C0	R/NW	Ackn

Start	Control byte	Ackn	Data byte	Ackn	Data byte	Ackn	Stop
-------	--------------	------	-----------	------	-----------	------	------

## 6.2.2 EEPROM

The EEPROM has a size of 512 bits and is organized as 32 x 16-bit matrix. To read and write data to and from the EEPROM the serial interface must be used. The interface supports one and two byte write accesses and one to n-byte read accesses to the EEPROM.

### 6.2.2.1 EEPROM – Operating Modes

The operating modes of the EEPROM are defined via the control byte. The control byte contains the row address, the mode control bits and the read/not-write bit that is used to control the direction of the following transfer. A 0 defines a write access and a 1 a read access. The five address bits select one of the 32 rows of the EEPROM memory to be accessed. For all accesses the complete 16-bit word of the selected row is loaded into a buffer. The buffer must be read or overwritten via the serial interface. The two mode control bits C0 and C1 define in which order the accesses to the buffer are performed: High byte – low byte or low byte – high byte. The EEPROM also supports autoincrement and autodecrement read operations. After sending the start address with the corresponding mode, consecutive memory cells can be read row by row without transmission of the row addresses.

Two special control bytes enable the complete initialization of EEPROM with 0 or with 1.

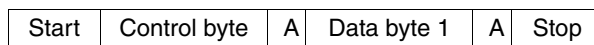
### 6.2.2.2 Write Operations

The EEPROM allows 8-bit and 16-bit write operations. A write access starts with the START condition followed by a write control byte and one or two data bytes from the master. It is completed via the STOP condition from the master after the acknowledge cycle. The programming cycle consists of an erase cycle (write '0') and the write cycle (write '1'). Both cycles together take about 10 ms.

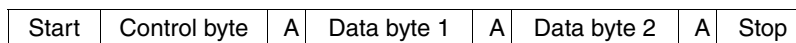
### 6.2.2.3 Acknowledge Polling

If the EEPROM is busy with an internal write cycle, all inputs are disabled and the EEPROM will not acknowledge until the write cycle is finished. This can be used to detect the end of the write cycle. The master must perform acknowledge polling by sending a start condition followed by the control byte. If the device is still busy with the write cycle, it will not return an acknowledge and the master has to generate a stop condition or perform further acknowledge polling sequences. If the cycle is complete, it returns an acknowledge and the master can proceed with the next read or write cycle.

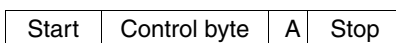
### 6.2.2.4 Write One Data Byte



### 6.2.2.5 Write Two Data Bytes



### 6.2.2.6 Write Control Byte Only



### 6.2.2.7 Write Control Bytes

	MSB					LSB		
<b>Write low byte first</b>	A4	A3	A2	A1	A0	C1	C0	R/NW
	Row address					0	1	0

<b>Byte order</b>	LB(R)	HB(R)
-------------------	-------	-------

	MSB					LSB		
<b>Write high byte first</b>	A4	A3	A2	A1	A0	C1	C0	R/NW
	Row address					1	0	0

<b>Byte order</b>	HB(R)	LB(R)
-------------------	-------	-------

A: acknowledge; HB: high byte; LB: low byte; R: row address

### 6.2.2.8 Read Operations

The EEPROM allows byte, word and current address read operations. The read operations are initiated in the same way as write operations. Every read access is initiated by sending the START condition followed by the control byte which contains the address and the read mode. When the device has received a read command, it returns an acknowledge, loads the addressed word into the read/write buffer and sends the selected data byte to the master. The master has to acknowledge the received byte if it wants to proceed with the read operation. If two bytes are read out from the buffer the device increments respectively, decrements the word address automatically and loads the buffer with the next word. The read mode bits determines if the low or high byte is read from the buffer first and if the word address is incremented or decremented for the next read access. If the memory address limit is reached, the data word address will 'roll over' and the sequential read will continue. The master can terminate the read operation after every byte by not responding with an acknowledge (N) and by issuing a stop condition.

### 6.2.2.9 Read One Data Byte

Start	Control byte	A	Data byte 1	N	Stop
-------	--------------	---	-------------	---	------

### 6.2.2.10 Read Two Data Bytes

Start	Control byte	A	Data byte 1	A	Data byte 2	N	Stop
-------	--------------	---	-------------	---	-------------	---	------

### 6.2.2.11 Read n Data Bytes

Start	Control byte	A	Data byte 1	A	Data byte 2	A	---	Data byte n	N	Stop
-------	--------------	---	-------------	---	-------------	---	-----	-------------	---	------



## 6.2.2.12 Read Control Bytes

<b>Read low byte first, address increment</b>	MSB					LSB	
	A4	A3	A2	A1	A0	C1	C0
	Row address					0	1
							R/NW
							1

<b>Byte order</b>	LB(R)	HB(R)	LB(R+1)	HB(R+1)	---	LB(R+n)	HB(R+n)
-------------------	-------	-------	---------	---------	-----	---------	---------

<b>Read high byte first, address decrement</b>	MSB					LSB	
	A4	A3	A2	A1	A0	C1	C0
	Row address					1	0
							R/NW
							1

<b>Byte order</b>	HB(R)	LB(R)	HB(R-1)	LB(R-1)	---	HB(R-n)	LB(R-n)
-------------------	-------	-------	---------	---------	-----	---------	---------

A: acknowledge, N: no acknowledge; HB: high byte; LB: low byte, R: row address

## 6.2.2.13 Initialization After a Reset Condition

The EEPROM with the serial interface has its own reset circuitry. In systems with microcontrollers that have their own reset circuitry for power-on reset, watchdog reset or brown-out reset, it may be necessary to bring the U505M into a known state independent of its internal reset. This is performed by writing:

Start	Control byte	A	Data byte 1	N	Stop
-------	--------------	---	-------------	---	------

to the serial interface. If the U505M acknowledges this sequence it is in a defined state. It may be necessary to perform this sequence twice.

## 7. Absolute Maximum Ratings

Voltages are given relative to  $V_{SS}$ .

Stresses beyond those listed under “Absolute Maximum Ratings” may cause permanent damage to the device. This is a stress rating only and functional operation of the device at these or any other conditions beyond those indicated in the operational sections of this specification is not implied. Exposure to absolute maximum rating conditions for extended periods may affect device reliability.

All inputs and outputs are protected against high electrostatic voltages or electric fields. However, precautions to minimize the build-up of electrostatic charges during handling are recommended. Reliability of operation is enhanced if unused inputs are connected to an appropriate logic voltage level (e.g.,  $V_{DD}$ ).

Parameters	Symbol	Value	Unit
Supply voltage	$V_{DD}$	-0.3 to +6.5	V
Input voltage (on any pin)	$V_{IN}$	$V_{SS} - 0.3 \leq V_{IN} \leq V_{DD} + 0.3$	V
Output short circuit duration	$t_{short}$	indefinite	s
Operating temperature range	$T_{amb}$	-40 to +105	°C
Storage temperature range	$T_{stg}$	-40 to +130	°C
Soldering temperature ( $t \leq 10$ s)	$T_{sld}$	260	°C

## 8. Thermal Resistance

Parameter	Symbol	Value	Unit
Thermal resistance (SSO20)	$R_{thJA}$	140	K/W

## 9. DC Operating Characteristics

$V_{SS} = 0V$ ,  $T_{amb} = -40^{\circ}C$  to  $+105^{\circ}C$  unless otherwise specified.

Parameters	Test Conditions	Symbol	Min.	Typ.	Max.	Unit
<b>Power Supply</b>						
Operating voltage at $V_{DD}$		$V_{DD}$	$V_{POR}$		6.5	V
Active current CPU active	$f_{SYSCL} = 1$ MHz $V_{DD} = 1.8$ V $V_{DD} = 3.0$ V $V_{DD} = 6.5$ V	$I_{DD}$		200 300 700	400	$\mu A$ $\mu A$ $\mu A$
Power down current (CPU sleep, RC oscillator active, 4-MHz quartz oscillator active)	$f_{SYSCL} = 1$ MHz $V_{DD} = 1.8$ V $V_{DD} = 3.0$ V $V_{DD} = 6.5$ V	$I_{PD}$		40 70 200	180	$\mu A$ $\mu A$ $\mu A$
Sleep current (CPU sleep, 32-kHz quartz oscillator active, 4-MHz quartz oscillator inactive)	$V_{DD} = 1.8$ V $V_{DD} = 3.0$ V $V_{DD} = 6.5$ V	$I_{Sleep}$		0.4 0.6 0.8	1.3 1.8	$\mu A$ $\mu A$ $\mu A$
Sleep current (CPU sleep, 32-kHz quartz oscillator inactive, 4-MHz quartz oscillator inactive)	$V_{DD} = 1.8$ V for ATAR092-C $V_{DD} = 3.0$ V for ATAR092-C $V_{DD} = 6.5$ V for ATAR092-C $V_{DD} = 6.5$ V for ATAR892-C	$I_{Sleep}$		0.1 0.3 0.5 0.6	0.5 0.8	$\mu A$ $\mu A$ $\mu A$ $\mu A$
Pin capacitance	Any pin to $V_{SS}$	$C_L$		7	10	pF

Note: The pin BP20/NTE has a static pull-up resistor during the reset-phase of the microcontroller

## 9. DC Operating Characteristics (Continued)

$V_{SS} = 0V$ ,  $T_{amb} = -40^{\circ}C$  to  $+105^{\circ}C$  unless otherwise specified.

Parameters	Test Conditions	Symbol	Min.	Typ.	Max.	Unit
<b>Power-on Reset Threshold Voltage</b>						
POR threshold voltage	BOT = 1	$V_{POR}$	1.6	1.7	1.8	V
POR threshold voltage	BOT = 0	$V_{POR}$	1.85	2.0	2.15	V
POR hysteresis		$V_{POR}$		50		mV
<b>Voltage Monitor Threshold Voltage</b>						
VM high threshold voltage	$V_{DD} > VM$ , $VMS = 1$	$V_{MThh}$		3.0	3.25	V
VM high threshold voltage	$V_{DD} < VM$ , $VMS = 0$	$V_{MThh}$	2.75	3.0		V
VM middle threshold voltage	$V_{DD} > VM$ , $VMS = 1$	$V_{MThm}$		2.6	2.8	V
VM middle threshold voltage	$V_{DD} < VM$ , $VMS = 0$	$V_{MThm}$	2.4	2.6		V
VM low threshold voltage	$V_{DD} > VM$ , $VMS = 1$	$V_{MThl}$		2.2	2.4	V
VM low threshold voltage	$V_{DD} < VM$ , $VMS = 0$	$V_{MThl}$	2.0	2.2		V
<b>External Input Voltage</b>						
VMI	$V_{DD} = 3V$ , $VMS = 1$	$V_{VMI}$		1.3	1.4	V
VMI	$V_{DD} = 3V$ , $VMS = 0$	$V_{VMI}$	1.2	1.3		V
<b>All Bi-directional Ports</b>						
Input voltage LOW	$V_{DD} = 1.8$ to $6.5V$	$V_{IL}$	$V_{SS}$		$0.2 \times V_{DD}$	V
Input voltage HIGH	$V_{DD} = 1.8$ to $6.5V$	$V_{IH}$	$0.8 \times V_{DD}$		$V_{DD}$	V
Input LOW current (switched pull-up)	$V_{DD} = 2.0V$ , $V_{DD} = 3.0V$ , $V_{IL} = V_{SS}$ $V_{DD} = 6.5V$	$I_{IL}$	-2 -10 -50	-4 -20 -100	-12 -40 -200	$\mu A$ $\mu A$ $\mu A$
Input HIGH current (switched pull-down)	$V_{DD} = 2.0V$ , $V_{DD} = 3.0V$ , $V_{IH} = V_{DD}$ $V_{DD} = 6.5V$	$I_{IH}$	2 10 50	4 20 100	12 40 200	$\mu A$ $\mu A$ $\mu A$
Input LOW current (static pull-up)	$V_{DD} = 2.0V$ , $V_{DD} = 3.0V$ , $V_{IL} = V_{SS}$ $V_{DD} = 6.5V$	$I_{IL}$	-20 -80 -300	-50 -160 -600	-100 -320 -1200	$\mu A$ $\mu A$ $\mu A$
Input LOW current (static pull-down)	$V_{DD} = 2.0V$ , $V_{DD} = 3.0V$ , $V_{IH} = V_{DD}$ $V_{DD} = 6.5V$	$I_{IH}$	20 80 300	50 160 600	100 320 1200	$\mu A$ $\mu A$ $\mu A$
Input leakage current	$V_{IL} = V_{SS}$	$I_{IL}$			100	nA
Input leakage current	$V_{IH} = V_{DD}$	$I_{IH}$			100	nA
Output LOW current	$V_{OL} = 0.2 \times V_{DD}$ $V_{DD} = 2.0V$ $V_{DD} = 3.0V$ $V_{DD} = 6.5V$	$I_{OL}$	0.6 3 8	1.2 5 15	2.5 8 22	mA mA mA
Output HIGH current	$V_{OH} = 0.8 \times V_{DD}$ $V_{DD} = 2.0V$ $V_{DD} = 3.0V$ $V_{DD} = 6.5V$	$I_{OH}$	-0.6 -3 -8	-1.2 -5 -16	-2.5 -8 -24	mA mA mA

Note: The pin BP20/NTE has a static pull-up resistor during the reset-phase of the microcontroller

## 10. AC Characteristics

Supply voltage  $V_{DD} = 1.8V$  to  $6.5V$ ,  $V_{SS} = 0V$ ,  $T_{amb} = 25^{\circ}C$  unless otherwise specified.

Parameters	Test Conditions	Symbol	Min.	Typ.	Max.	Unit
<b>Operation Cycle Time</b>						
System clock cycle	$V_{DD} = 1.8$ to $6.5$ V $T_{amb} = -40$ to $+105^{\circ}C$	$t_{SYSCL}$	500		4000	ns
	$V_{DD} = 2.4$ to $6.5$ V $T_{amb} = -40$ to $+105^{\circ}C$	$t_{SYSCL}$	250		4000	ns
<b>Timer 2 Input Timing Pin T2I</b>						
Timer 2 input clock		$f_{T2I}$			5	MHz
Timer 2 input LOW time	Rise/fall time < 10 ns	$t_{T2IL}$	100			ns
Timer 2 input HIGH time	Rise/fall time < 10 ns	$t_{T2IH}$	100			ns
<b>Timer 3 Input Timing Pin T3I</b>						
Timer 3 input clock		$f_{T3I}$			SYSCL/2	MHz
Timer 3 input LOW time	Rise/fall time < 10 ns	$t_{T3IL}$	$2 t_{SYSCL}$			ns
Timer 3 input HIGH time	Rise/fall time < 10 ns	$t_{T3IH}$	$2 t_{SYSCL}$			ns
<b>Interrupt Request Input Timing</b>						
Interrupt request LOW time	Rise/fall time < 10 ns	$t_{IRL}$	100			ns
Interrupt request HIGH time	Rise/fall time < 10 ns	$t_{IRH}$	100			ns
<b>External System Clock</b>						
EXSCL at OSC1, ECM = EN	Rise/fall time < 10 ns	$f_{EXSCL}$	0.5		4	MHz
EXSCL at OSC1, ECM = DI	Rise/fall time < 10 ns	$f_{EXSCL}$	0.02		4	MHz
Input HIGH time	Rise/fall time < 10 ns	$t_{IH}$	0.1			$\mu s$
<b>Reset Timing</b>						
Power-on reset time	$V_{DD} > V_{POR}$	$t_{POR}$		1.5	5	ms
<b>RC Oscillator 1</b>						
Frequency		$f_{RCOut1}$		3.8		MHz
Stability	$V_{DD} = 2.0$ to $6.5$ V $T_{amb} = -40$ to $+105^{\circ}C$	$\Delta f/f$			$\pm 50$	%
<b>RC Oscillator 2 – External Resistor</b>						
Frequency	$R_{ext} = 170$ k $\Omega$	$f_{RCOut2}$		4		MHz
Stability	$V_{DD} = 2.0$ to $6.5$ V $T_{amb} = -40$ to $+85^{\circ}C$	$\Delta f/f$			$\pm 15$	%
Stabilization time		$t_s$			10	$\mu s$
<b>4-MHz Crystal Oscillator (Operating Range <math>V_{DD} = 2.2V</math> to <math>6.5V</math>)</b>						
Frequency		$f_x$		4		MHz
Start-up time		$t_{SQ}$		5		ms
Stability		$\Delta f/f$	-10		+10	ppm
Integrated input/output capacitances (mask programmable)	$C_{IN}/C_{OUT}$ programmable in steps of 0.63 nF	$C_{IN}$ $C_{OUT}$	0 0		20 20	pF pF

Note: Endurance and data retention independent and separately characterized.

## 10. AC Characteristics (Continued)

Supply voltage  $V_{DD} = 1.8V$  to  $6.5V$ ,  $V_{SS} = 0V$ ,  $T_{amb} = 25^{\circ}C$  unless otherwise specified.

Parameters	Test Conditions	Symbol	Min.	Typ.	Max.	Unit
<b>32-kHz Crystal Oscillator (Operating Range <math>V_{DD} = 2.0V</math> to <math>6.5V</math>)</b>						
Frequency		$f_X$		32.768		kHz
Start-up time		$t_{SQ}$		0.5		s
Stability		$\Delta f/f$	-10		+10	ppm
Integrated input/output capacitances (mask programmable)	$C_{IN}/C_{OUT}$ programmable in steps of 2 pF	$C_{IN}$ $C_{OUT}$	0 0		20 20	pF pF
<b>External 32-kHz Crystal Parameters</b>						
Crystal frequency		$f_X$		32.768		kHz
Serial resistance		RS		30	50	k $\Omega$
Static capacitance		C0		1.5		pF
Dynamic capacitance		C1		3		fF
<b>External 4-MHz Crystal Parameters</b>						
Crystal frequency		$f_X$		4.0		MHz
Serial resistance		RS		40	150	$\Omega$
Static capacitance		C0		1.4	3	pF
Dynamic capacitance		C1		3		fF
<b>EEPROM</b>						
Operating current during erase/write cycle		$I_{WR}$		600	1300	$\mu A$
Endurance <sup>(1)</sup>	Erase-/write cycles at 25°C at 60°C at 85°C at 105°C	$E_D$	500,000 200,000 100,000 50,000	1,000,000		Cycles
Data erase/write cycle time		$t_{DEW}$		9	12	ms
Data retention time <sup>(1)</sup>	At 25°C At 105°C	$t_{DR}$ $t_{DR}$	10 1			Years Years
Power-up to read operation		$t_{PUR}$			0.2	ms
Power-up to write operation		$t_{PUW}$			0.2	ms
<b>Serial Interface</b>						
SCL clock frequency		$f_{SC\_MCL}$		100	500	kHz

Note: Endurance and data retention independent and separately characterized.

## 10.1 Recommendations for the 32-kHz Crystal Oscillator

**Table 10-1.** Recommended Parameters for 32-kHz Crystals (for example MicroCrystal MS1V, Daishinku SM-14J)

Series Resistance	Load Capacitance	Maximum Load Capacitance
$R_{Smax} = 35 \text{ k}\Omega$	$8 \text{ pF} < C_{Leff} > 10 \text{ pF}$	12 pF
$R_{Smax} = 50 \text{ k}\Omega$	$7 \text{ pF} < C_{Leff} > 9 \text{ pF}$	10 pF
$R_{Smax} = 70 \text{ k}\Omega$ , typically 50 kΩ	$6 \text{ pF} < C_{Leff} > 7 \text{ pF}$	8 pF

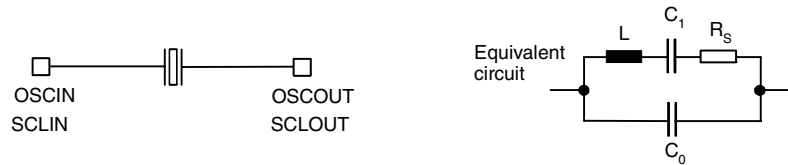
## 10.2 Recommended Values for Integrated Input/Output Capacitances (Mask Option)

$C_{Leff}$ (pF)	6	7	8	9	10	11	12
$C_{opt}$ (pF)	3.8	5.6	7.5	10	11.9	13.8	15.6

$C_{Leff}$ : Effective load capacitance of the crystal for the nominal frequency of 32678 Hz  
 $C_{opt}$ : Recommended value for the integrated capacitance to meet, together with the parasitic pin capacitance, the related  $C_{Leff}$ .

## 10.3 Crystal Characteristics

**Figure 10-1.** Crystal Equivalent Circuit



## 11. Diagrams

Figure 11-1. Active Supply Current versus Frequency

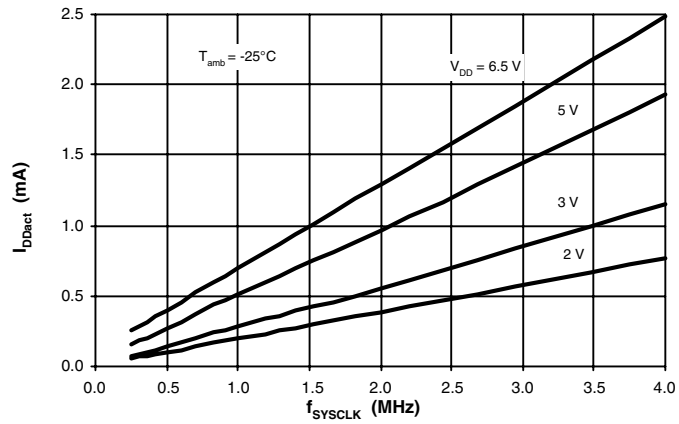


Figure 11-2. Active Supply Current versus  $V_{DD}$

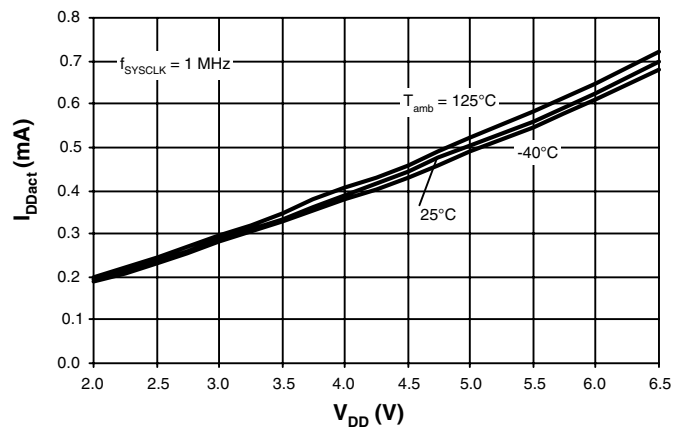
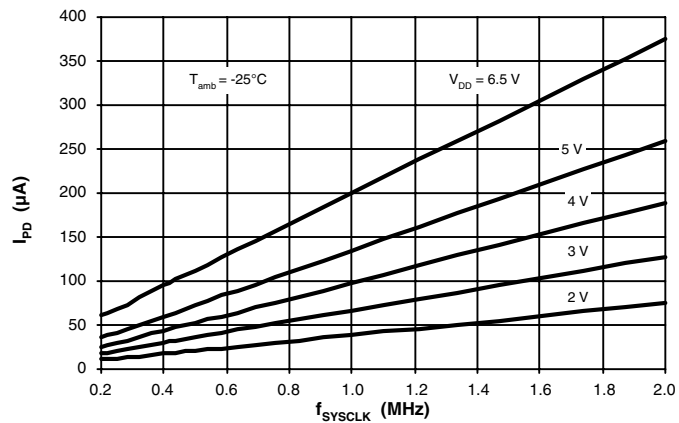
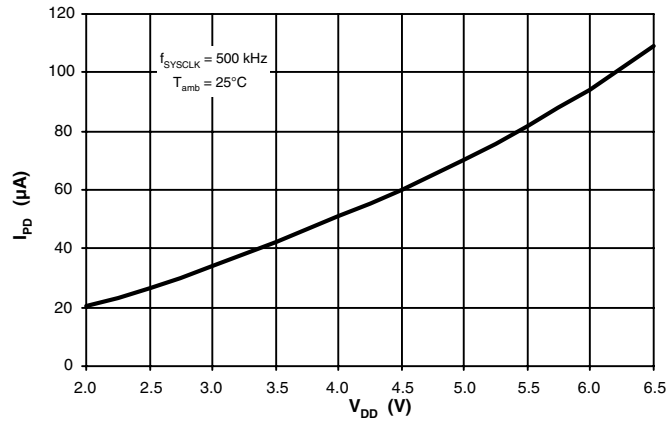


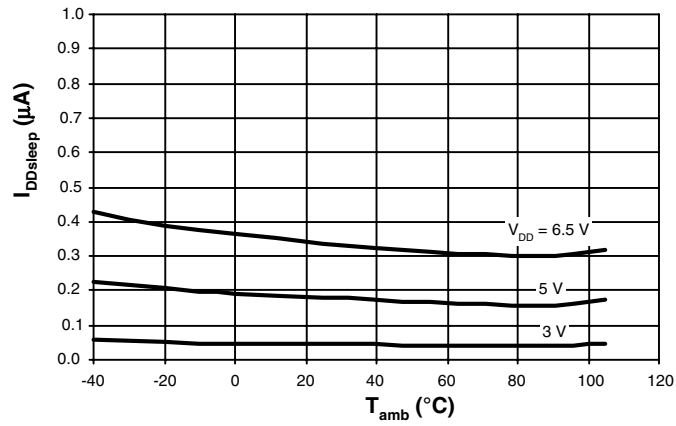
Figure 11-3. Power-down Supply Current versus Frequency



**Figure 11-4.** Power-down Supply Current versus  $V_{DD}$



**Figure 11-5.** Sleep Current versus  $T_{amb}$  – ATAR092-C



**Figure 11-6.** Sleep Current versus  $T_{amb}$  – ATAR892-C

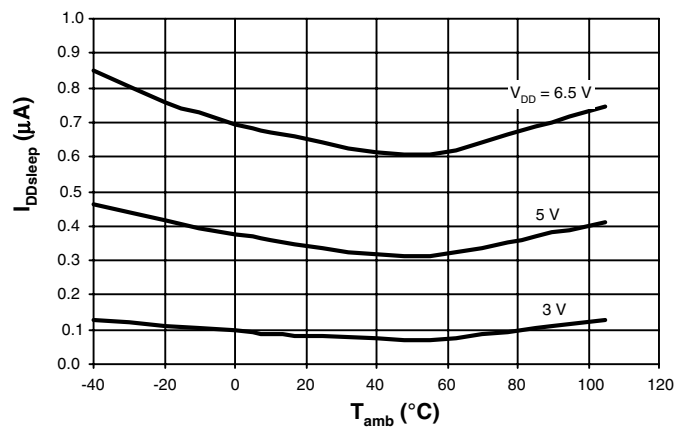




Figure 11-7. Internal RC Frequency versus  $V_{DD}$

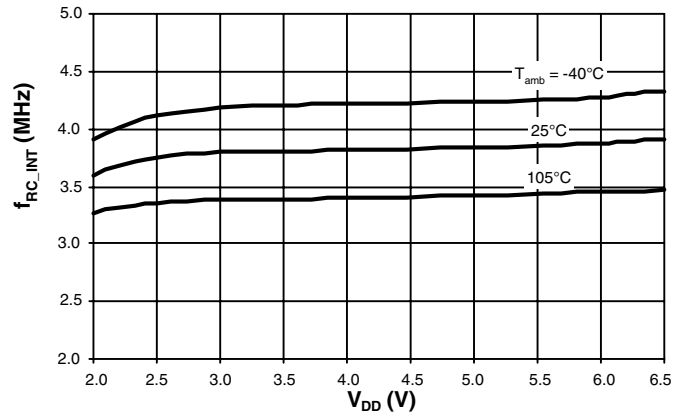


Figure 11-8. Internal RC Frequency versus  $T_{amb}$

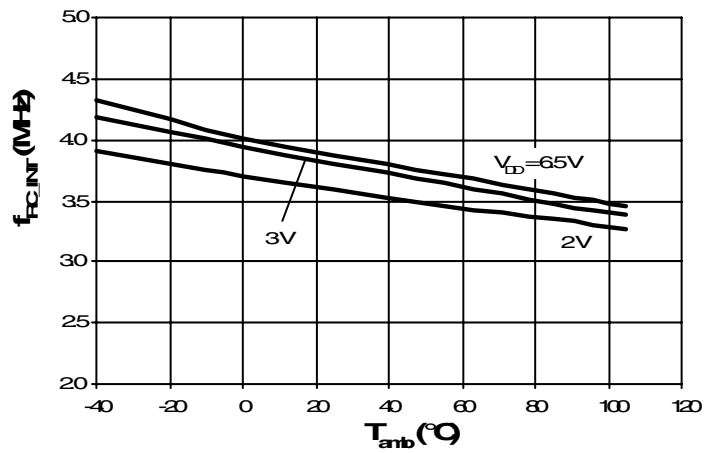


Figure 11-9. External RC Frequency versus  $V_{DD}$

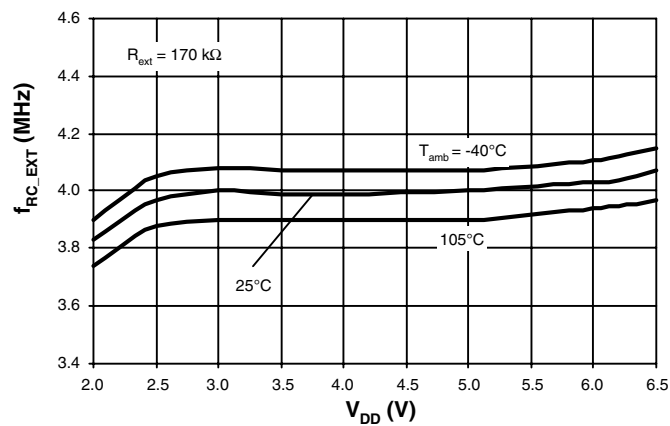


Figure 11-10. External RC Frequency versus  $T_{amb}$

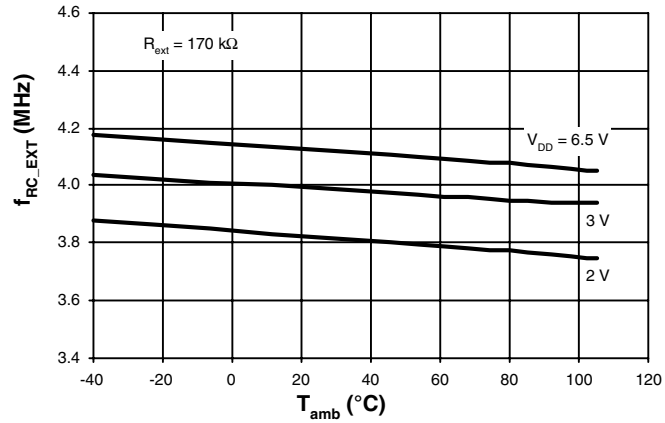


Figure 11-11. System Clock versus  $V_{DD}$

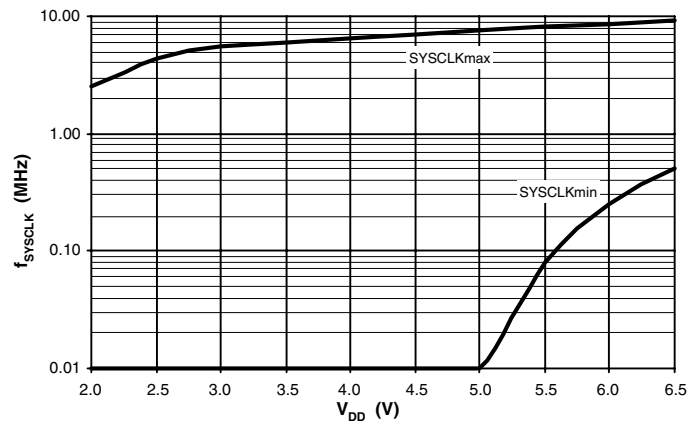


Figure 11-12. External RC Frequency versus  $R_{ext}$

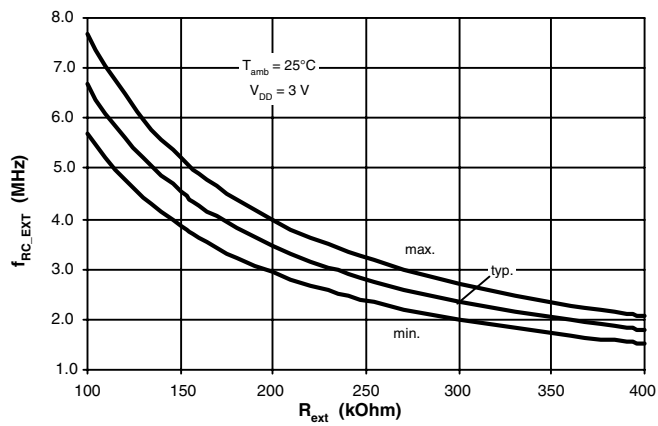


Figure 11-13. Pull-up Resistor versus  $V_{DD}$

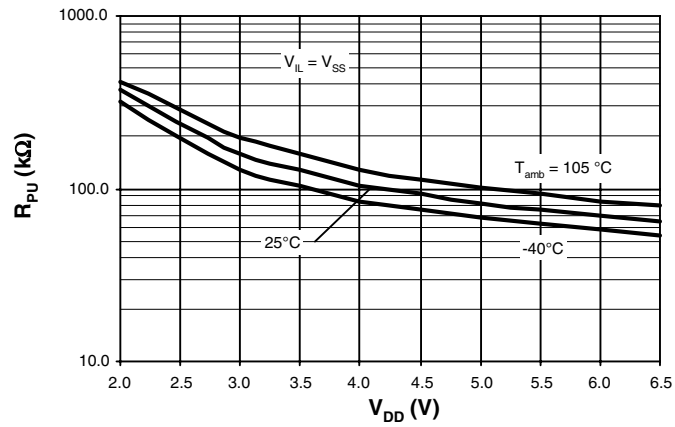


Figure 11-14. Pull-down Resistor versus  $V_{DD}$

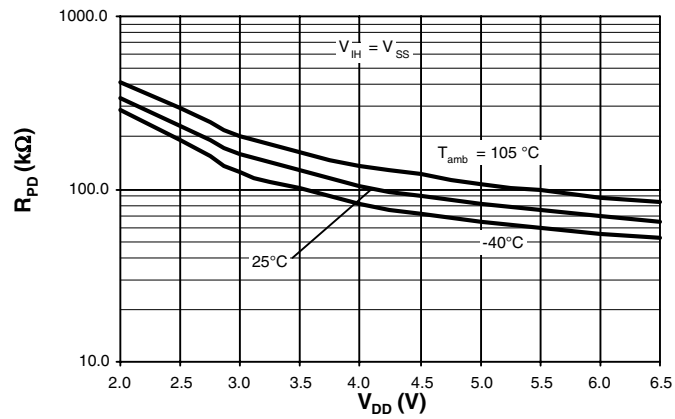
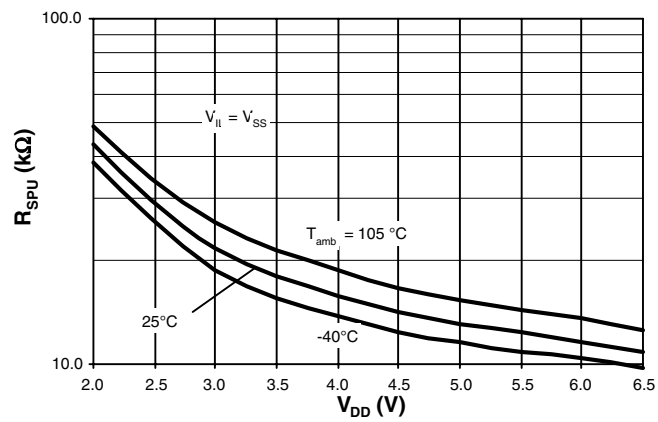
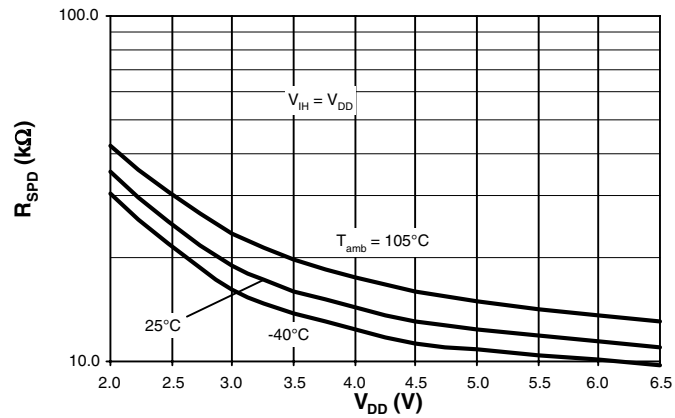


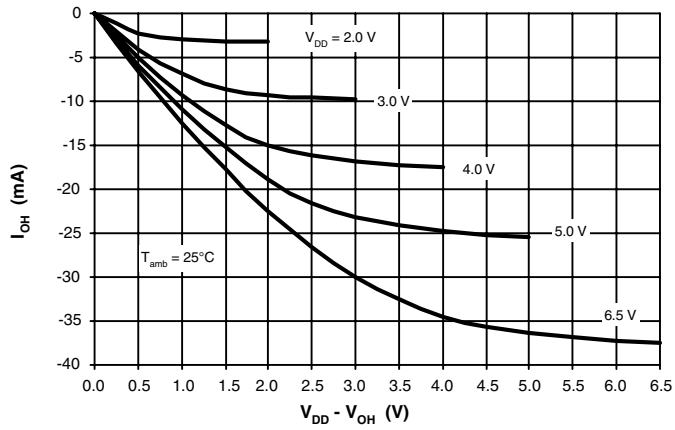
Figure 11-15. Strong Pull-up Resistor versus  $V_{DD}$



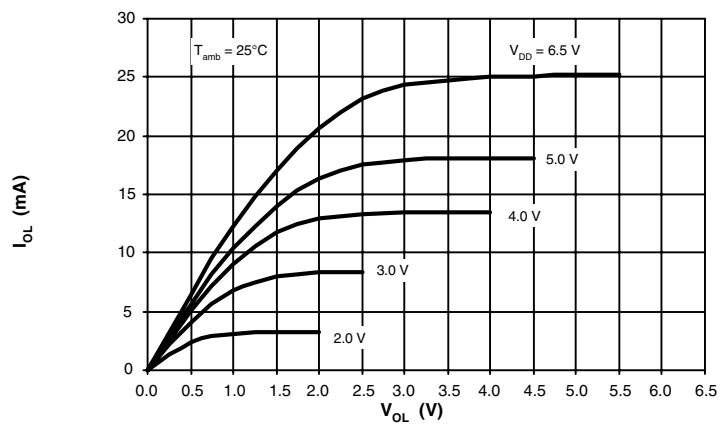
**Figure 11-16. Strong Pull-down Resistor versus  $V_{DD}$**



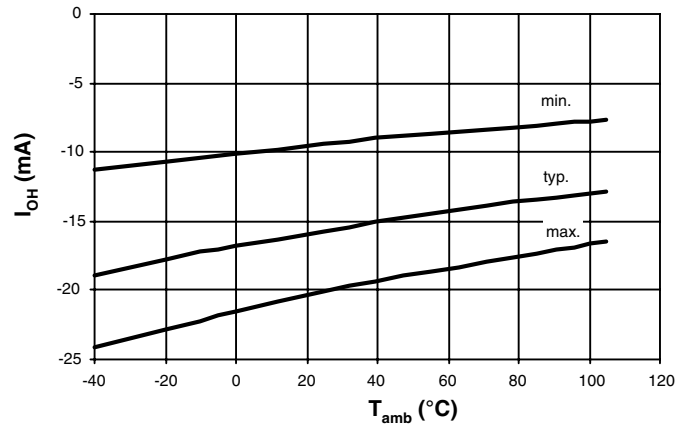
**Figure 11-17. Output High Current versus  $V_{DD}$  – Output High Voltage**



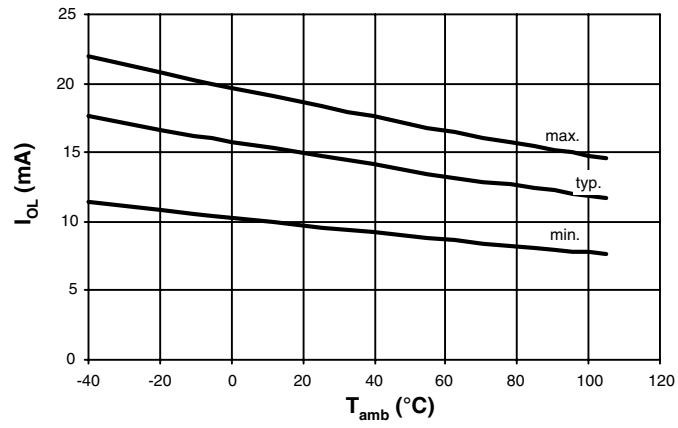
**Figure 11-18. Output Low Current versus Output Low Voltage**



**Figure 11-19.** Output High Current versus  $T_{amb}$ ,  $V_{DD} = 6.5\text{ V}$ ,  $V_{OH} = 0.8 \times V_{DD}$



**Figure 11-20.** Output Low Current versus  $T_{amb}$ ,  $V_{DD} = 6.5\text{ V}$ ,  $V_{OL} = 0.2 \times V_{DD}$

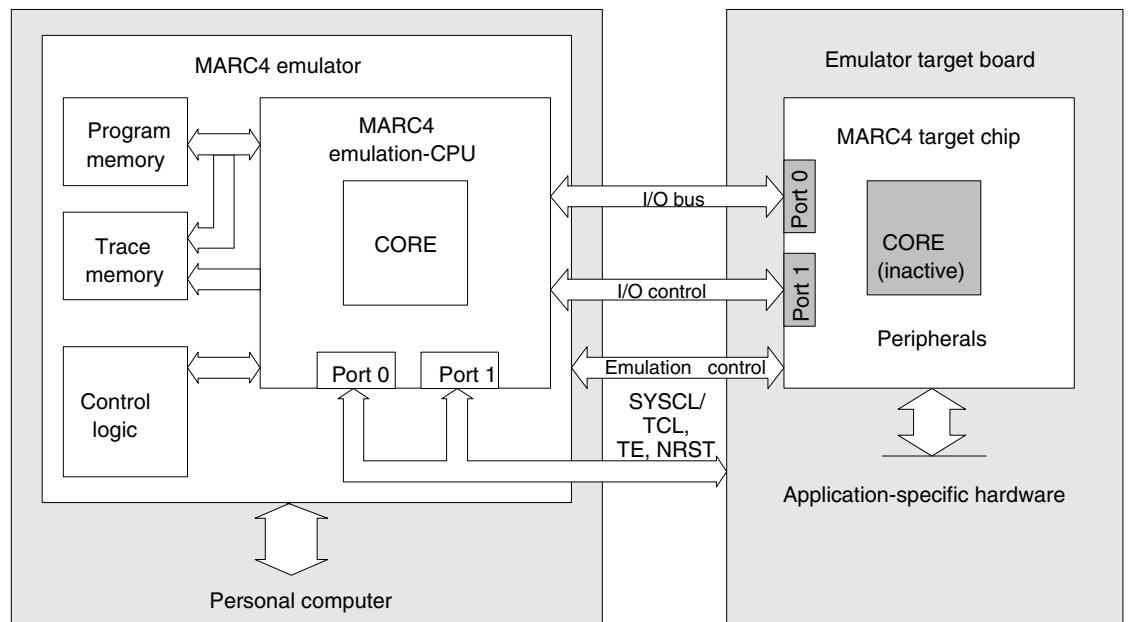


## 12. Emulation

The basic function of emulation is to test and evaluate the customer's program and hardware in real time. This therefore enables the analysis of any timing, hardware or software problem. For emulation purposes, all MARC4 controllers include a special emulation mode. In this mode, the internal CPU core is inactive and the I/O buses are available via Port 0 and Port 1 to allow an external access to the on-chip peripherals. The MARC4 emulator uses this mode to control the peripherals of any MARC4 controller (target chip) and emulates the lost ports for the application.

The MARC4 emulator can stop and restart a program at specified points during execution, making it possible for the applications engineer to view the memory contents and those of various registers during program execution. The designer also gains the ability to analyze the executed instruction sequences and all the I/O activities.

**Figure 12-1.** MARC4 Emulation



## 13. Option Settings for Ordering

<input type="checkbox"/> ATAR092-C	(-40°C to +105°C)	<input type="checkbox"/> ATAR892-C	(-40°C to +105°C)
------------------------------------	-------------------	------------------------------------	-------------------

Please select the option settings from the list below and insert ROM CRC.

	Output <sup>(1)</sup>	Input
<b>Port 1</b>		
BP10	<input type="checkbox"/> CMOS <input type="checkbox"/> Open drain [N] <input type="checkbox"/> Open drain [P]	<input type="checkbox"/> Switched pull-up <input type="checkbox"/> Switched pull-down <input type="checkbox"/> Static pull-up <input type="checkbox"/> Static pull-down
BP13	<input type="checkbox"/> CMOS <input type="checkbox"/> Open drain [N] <input type="checkbox"/> Open drain [P]	<input type="checkbox"/> Switched pull-up <input type="checkbox"/> Switched pull-down <input type="checkbox"/> Static pull-up <input type="checkbox"/> Static pull-down
<b>Port 2</b>		
BP20 <sup>(2)</sup>	<input type="checkbox"/> CMOS <input type="checkbox"/> Open drain [N] <input type="checkbox"/> Open drain [P]	<input type="checkbox"/> Switched pull-up <input type="checkbox"/> Switched pull-down <input type="checkbox"/> Static pull-up <input type="checkbox"/> Static pull-down
BP21	<input type="checkbox"/> CMOS <input type="checkbox"/> Open drain [N] <input type="checkbox"/> Open drain [P]	<input type="checkbox"/> Switched pull-up <input type="checkbox"/> Switched pull-down <input type="checkbox"/> Static pull-up <input type="checkbox"/> Static pull-down
BP22	<input type="checkbox"/> CMOS <input type="checkbox"/> Open drain [N] <input type="checkbox"/> Open drain [P]	<input type="checkbox"/> Switched pull-up <input type="checkbox"/> Switched pull-down <input type="checkbox"/> Static pull-up <input type="checkbox"/> Static pull-down
BP23	<input type="checkbox"/> CMOS <input type="checkbox"/> Open drain [N] <input type="checkbox"/> Open drain [P]	<input type="checkbox"/> Switched pull-up <input type="checkbox"/> Switched pull-down <input type="checkbox"/> Static pull-up <input type="checkbox"/> Static pull-down
<b>Port 4</b>		
BP40	<input type="checkbox"/> CMOS <input type="checkbox"/> Open drain [N] <input type="checkbox"/> Open drain [P]	<input type="checkbox"/> Switched pull-up <input type="checkbox"/> Switched pull-down <input type="checkbox"/> Static pull-up <input type="checkbox"/> Static pull-down
BP41	<input type="checkbox"/> CMOS <input type="checkbox"/> Open drain [N] <input type="checkbox"/> Open drain [P]	<input type="checkbox"/> Switched pull-up <input type="checkbox"/> Switched pull-down <input type="checkbox"/> Static pull-up <input type="checkbox"/> Static pull-down
BP42	<input type="checkbox"/> CMOS <input type="checkbox"/> Open drain [N] <input type="checkbox"/> Open drain [P]	<input type="checkbox"/> Switched pull-up <input type="checkbox"/> Switched pull-down <input type="checkbox"/> Static pull-up <input type="checkbox"/> Static pull-down
BP43	<input type="checkbox"/> CMOS <input type="checkbox"/> Open drain [N] <input type="checkbox"/> Open drain [P]	<input type="checkbox"/> Switched pull-up <input type="checkbox"/> Switched pull-down <input type="checkbox"/> Static pull-up <input type="checkbox"/> Static pull-down

	Output	Input
<b>Port 5</b>		
BP50	<input type="checkbox"/> CMOS <input type="checkbox"/> Open drain [N] <input type="checkbox"/> Open drain [P]	<input type="checkbox"/> Switched pull-up <input type="checkbox"/> Switched pull-down <input type="checkbox"/> Static pull-up <input type="checkbox"/> Static pull-down
BP51	<input type="checkbox"/> CMOS <input type="checkbox"/> Open drain [N] <input type="checkbox"/> Open drain [P]	<input type="checkbox"/> Switched pull-up <input type="checkbox"/> Switched pull-down <input type="checkbox"/> Static pull-up <input type="checkbox"/> Static pull-down
BP52	<input type="checkbox"/> CMOS <input type="checkbox"/> Open drain [N] <input type="checkbox"/> Open drain [P]	<input type="checkbox"/> Switched pull-up <input type="checkbox"/> Switched pull-down <input type="checkbox"/> Static pull-up <input type="checkbox"/> Static pull-down
BP53	<input type="checkbox"/> CMOS <input type="checkbox"/> Open drain [N] <input type="checkbox"/> Open drain [P]	<input type="checkbox"/> Switched pull-up <input type="checkbox"/> Switched pull-down <input type="checkbox"/> Static pull-up <input type="checkbox"/> Static pull-down
<b>Port 6</b>		
BP60	<input type="checkbox"/> CMOS <input type="checkbox"/> Open drain [N] <input type="checkbox"/> Open drain [P]	<input type="checkbox"/> Switched pull-up <input type="checkbox"/> Switched pull-down <input type="checkbox"/> Static pull-up <input type="checkbox"/> Static pull-down
BP63	<input type="checkbox"/> CMOS <input type="checkbox"/> Open drain [N] <input type="checkbox"/> Open drain [P]	<input type="checkbox"/> Switched pull-up <input type="checkbox"/> Switched pull-down <input type="checkbox"/> Static pull-up <input type="checkbox"/> Static pull-down

<b>OSC1</b>	<input type="checkbox"/> No integrated capacitance <input type="checkbox"/> Internal capacitance (0 to 20 pF) [ _____pF]
<b>OSC2</b>	<input type="checkbox"/> No integrated capacitance <input type="checkbox"/> Internal capacitance (0 to 20 pF) [ _____pF]

<b>Clock Used</b>	<input type="checkbox"/> External resistor <input type="checkbox"/> External clock OSC1 <input type="checkbox"/> External clock OSC2 <input type="checkbox"/> 32-kHz crystal <input type="checkbox"/> 4-MHz crystal
-------------------	---

<b>ECM (External Clock Monitor)</b>	<input type="checkbox"/> Enable <input type="checkbox"/> Disable
-------------------------------------	---

**Please attach this page to the approval form.**

Filename: \_\_\_\_\_ .HEX

CRC: \_\_\_\_\_ (HEX)

Date: \_\_\_\_\_

Signature: \_\_\_\_\_

Company: \_\_\_\_\_

- Notes:
1. It is required to select an output option for each port pin (Port 1, Port 2, Port 4, Port 5, Port 6).
  2. Don't use external components at BP20 that pull to  $V_{SS}$  during reset representing a resistor < 150k.

## 14. Ordering Information

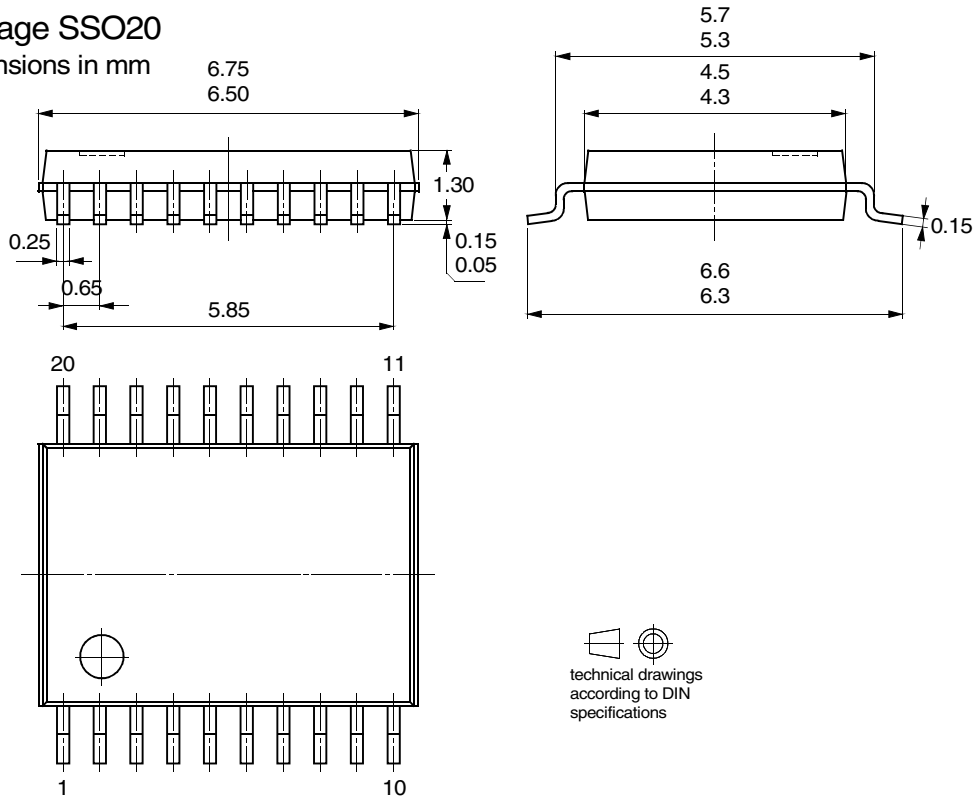
Extended Type Number	Program Memory	Data-EEPROM	Package	Delivery
ATAR092x-yyy-TKQYz	4 kB ROM	No	SSO20	Taped and reeled
ATAR092x-yyy-TKSYz	4 kB ROM	No	SSO20	Tubes
ATAR892x-yyy-TKQYz	4 kB ROM	512 Bit	SSO20	Taped and reeled
ATAR892x-yyy-TKSYz	4 kB ROM	512 Bit	SSO20	Tubes

Note: x = Hardware revision  
 yyy = Customer specific ROM-version  
 z = Operating temperature range  
 = C (-40°C to +105°C)  
 Y = Lead-free

## 15. Package Information

### Package SSO20

Dimensions in mm





## 16. Revision History

Please note that the following page numbers referred to in this section refer to the specific revision mentioned, not to this document.

Revision No.	History
4593D-4BMCU-05/06	<ul style="list-style-type: none"> <li>• Put datasheet in a new template</li> <li>• Lead-free Logo on page 1 deleted</li> <li>• Section 14 “Ordering Information” on page 104 changed</li> </ul>
4593C-4BMCU-12/04	<ul style="list-style-type: none"> <li>• Put datasheet in a new template</li> <li>• Lead-free Logo on page 1 added</li> <li>• Section “ROM” on page 4 changed</li> <li>• Section “Interrupt Processing” on pages 7-8 changed</li> <li>• Section “4-MHz” Oscillator on pages 16-17 changed</li> <li>• Section “32-kHz Oscillator” on page 17 changed</li> <li>• Table “AC Characteristics” on pages 85-86 changed</li> <li>• Table “Option Settings for Ordering” on page 95 changed</li> <li>• Table “Ordering Information” on page 96 changed</li> </ul>
4593B-4BMCU-03/04	<ul style="list-style-type: none"> <li>• Put datasheet in a new template</li> <li>• Features on page 1 changed</li> <li>• Table 1 “Available Variants of ATAx9x” changed</li> <li>• Table 10 “Peripheral Addresses” on page 21 changed</li> <li>• Section “Timer 2” on page 33 changed</li> <li>• Table 20 “Timer 2 Output Select Bits” on page 42 changed</li> <li>• Figure 44 on page 44 changed</li> <li>• Section “EEPROM – Operating Modes” on page 80 changed</li> <li>• New heading rows at Table “Absolute Maximum Ratings” on page 83 added</li> <li>• System clock cycle in table “AC Characteristics” on page 85 changed</li> <li>• Section “Emulation” on page 94 added</li> <li>• Table name on page 95 changed</li> <li>• Table “Ordering Information” on page 96 added</li> </ul>

## 17. Table of Contents

	<b>Features .....</b>	<b>1</b>
<b>1</b>	<b>Description .....</b>	<b>1</b>
<b>2</b>	<b>Pin Configuration .....</b>	<b>2</b>
<b>3</b>	<b>Introduction .....</b>	<b>3</b>
<b>4</b>	<b>MARC4 Architecture .....</b>	<b>3</b>
	4.1 General Description .....	3
	4.2 Components of MARC4 Core .....	4
	4.2.1 ROM .....	4
	4.2.2 RAM .....	4
	4.2.3 Registers .....	5
	4.2.4 ALU .....	7
	4.2.5 I/O Bus .....	8
	4.2.6 Instruction Set .....	8
	4.2.7 Interrupt Structure .....	8
	4.3 Master Reset .....	10
	4.3.1 Power-on Reset and Brown-out Detection .....	11
	4.3.2 Watchdog Reset .....	12
	4.3.3 External Clock Supervisor .....	12
	4.4 Voltage Monitor .....	12
	4.4.1 Voltage Monitor Control/Status Register .....	13
	4.5 Clock Generation .....	14
	4.5.1 Clock Module .....	14
	4.5.2 Oscillator Circuits and External Clock Input Stage .....	16
	4.5.3 Clock Management .....	19
	4.6 Power-down Modes .....	20
<b>5</b>	<b>Peripheral Modules .....</b>	<b>21</b>
	5.1 Addressing Peripherals .....	21
	5.2 Bi-directional Ports .....	23
	5.2.1 Bi-directional Port 1 .....	23
	5.2.2 Bi-directional Port 2 .....	24
	5.2.3 Bi-directional Port 5 .....	26
	5.2.4 Bi-directional Port 4 .....	28
	5.2.5 Bi-directional Port 6 .....	30
	5.3 Universal Timer/Counter/ Communication Module (UTCM) .....	31
	5.3.1 Timer 1 .....	32
	5.3.2 Timer 2 .....	35
	5.3.3 Timer 3 .....	47

5.3.4	Synchronous Serial Interface (SSI) .....	62
5.3.5	Combination Modes .....	73
<b>6</b>	<b>ATAR892-C .....</b>	<b>84</b>
6.1	Internal 2-wire Multi-chip Link .....	84
6.2	U505M EEPROM .....	85
6.2.1	Serial Interface .....	85
6.2.2	EEPROM .....	87
<b>7</b>	<b>Absolute Maximum Ratings .....</b>	<b>90</b>
<b>8</b>	<b>Thermal Resistance .....</b>	<b>90</b>
<b>9</b>	<b>DC Operating Characteristics .....</b>	<b>90</b>
<b>10</b>	<b>AC Characteristics .....</b>	<b>92</b>
<b>11</b>	<b>Diagrams .....</b>	<b>95</b>
<b>12</b>	<b>Emulation .....</b>	<b>102</b>
<b>13</b>	<b>Option Settings for Ordering .....</b>	<b>103</b>
<b>14</b>	<b>Ordering Information .....</b>	<b>104</b>
<b>15</b>	<b>Package Information .....</b>	<b>104</b>
<b>16</b>	<b>Revision History .....</b>	<b>105</b>



## Atmel Corporation

2325 Orchard Parkway  
San Jose, CA 95131, USA  
Tel: 1(408) 441-0311  
Fax: 1(408) 487-2600

## Regional Headquarters

### Europe

Atmel Sarl  
Route des Arsenaux 41  
Case Postale 80  
CH-1705 Fribourg  
Switzerland  
Tel: (41) 26-426-5555  
Fax: (41) 26-426-5500

### Asia

Room 1219  
Chinachem Golden Plaza  
77 Mody Road Tsimshatsui  
East Kowloon  
Hong Kong  
Tel: (852) 2721-9778  
Fax: (852) 2722-1369

### Japan

9F, Tonetsu Shinkawa Bldg.  
1-24-8 Shinkawa  
Chuo-ku, Tokyo 104-0033  
Japan  
Tel: (81) 3-3523-3551  
Fax: (81) 3-3523-7581

## Atmel Operations

### Memory

2325 Orchard Parkway  
San Jose, CA 95131, USA  
Tel: 1(408) 441-0311  
Fax: 1(408) 436-4314

### Microcontrollers

2325 Orchard Parkway  
San Jose, CA 95131, USA  
Tel: 1(408) 441-0311  
Fax: 1(408) 436-4314

La Chantrerie  
BP 70602  
44306 Nantes Cedex 3, France  
Tel: (33) 2-40-18-18-18  
Fax: (33) 2-40-18-19-60

### ASIC/ASSP/Smart Cards

Zone Industrielle  
13106 Rousset Cedex, France  
Tel: (33) 4-42-53-60-00  
Fax: (33) 4-42-53-60-01

1150 East Cheyenne Mtn. Blvd.  
Colorado Springs, CO 80906, USA  
Tel: 1(719) 576-3300  
Fax: 1(719) 540-1759

Scottish Enterprise Technology Park  
Maxwell Building  
East Kilbride G75 0QR, Scotland  
Tel: (44) 1355-803-000  
Fax: (44) 1355-242-743

### RF/Automotive

Theresienstrasse 2  
Postfach 3535  
74025 Heilbronn, Germany  
Tel: (49) 71-31-67-0  
Fax: (49) 71-31-67-2340

1150 East Cheyenne Mtn. Blvd.  
Colorado Springs, CO 80906, USA  
Tel: 1(719) 576-3300  
Fax: 1(719) 540-1759

### Biometrics/Imaging/Hi-Rel MPU/ High-Speed Converters/RF Datacom

Avenue de Rochepleine  
BP 123  
38521 Saint-Egreve Cedex, France  
Tel: (33) 4-76-58-30-00  
Fax: (33) 4-76-58-34-80

---

## Literature Requests

[www.atmel.com/literature](http://www.atmel.com/literature)

**Disclaimer:** The information in this document is provided in connection with Atmel products. No license, express or implied, by estoppel or otherwise, to any intellectual property right is granted by this document or in connection with the sale of Atmel products. **EXCEPT AS SET FORTH IN ATMEL'S TERMS AND CONDITIONS OF SALE LOCATED ON ATMEL'S WEB SITE, ATMEL ASSUMES NO LIABILITY WHATSOEVER AND DISCLAIMS ANY EXPRESS, IMPLIED OR STATUTORY WARRANTY RELATING TO ITS PRODUCTS INCLUDING, BUT NOT LIMITED TO, THE IMPLIED WARRANTY OF MERCHANTABILITY, FITNESS FOR A PARTICULAR PURPOSE, OR NON-INFRINGEMENT. IN NO EVENT SHALL ATMEL BE LIABLE FOR ANY DIRECT, INDIRECT, CONSEQUENTIAL, PUNITIVE, SPECIAL OR INCIDENTAL DAMAGES (INCLUDING, WITHOUT LIMITATION, DAMAGES FOR LOSS OF PROFITS, BUSINESS INTERRUPTION, OR LOSS OF INFORMATION) ARISING OUT OF THE USE OR INABILITY TO USE THIS DOCUMENT, EVEN IF ATMEL HAS BEEN ADVISED OF THE POSSIBILITY OF SUCH DAMAGES.** Atmel makes no representations or warranties with respect to the accuracy or completeness of the contents of this document and reserves the right to make changes to specifications and product descriptions at any time without notice. Atmel does not make any commitment to update the information contained herein. Unless specifically provided otherwise, Atmel products are not suitable for, and shall not be used in, automotive applications. Atmel's products are not intended, authorized, or warranted for use as components in applications intended to support or sustain life.

© 2006 Atmel Corporation. All rights reserved. Atmel®, logo and combinations thereof, Everywhere You Are® and others are registered trademarks or trademarks of Atmel Corporation or its subsidiaries. Other terms and product names may be trademarks of others.