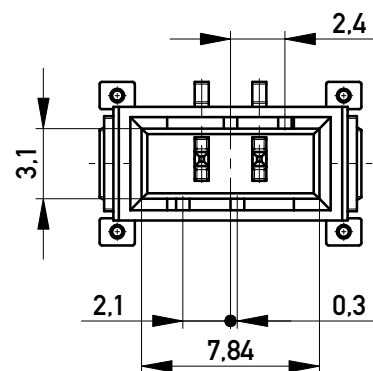
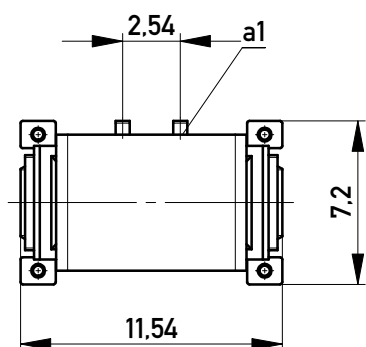
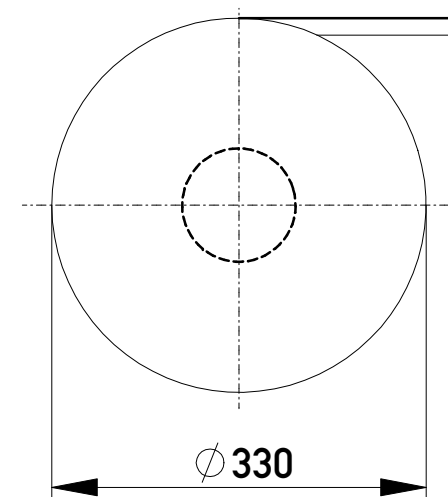


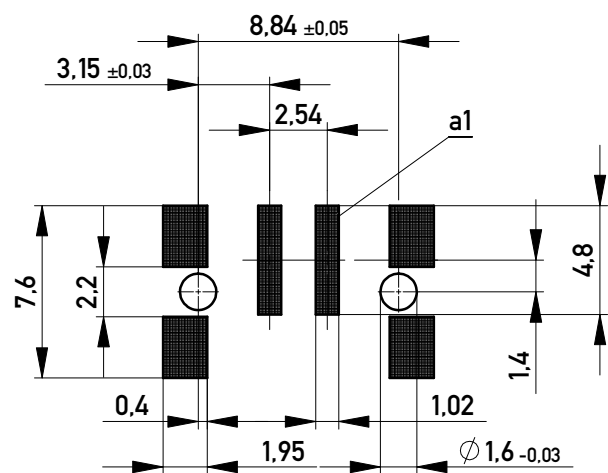
ohne Ansaughaube
without hood



Verpackt im Gurt in Anlehnung an DIN IEC 60286-3
Tape on Reel Packaging according to DIN IEC 60286-3
Verpackungseinheit: 320 Stück
Packaging unit: 320 pcs



Leiterplatten-Layout Vorschlag für SMT
PCB-Layout Proposal for SMT



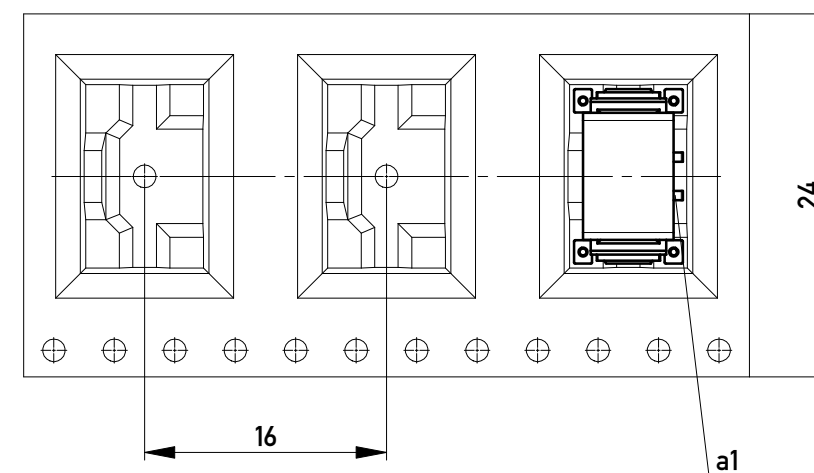
Anforderungsstufe 1
Performance Level 1

Kontaktbereich vergoldet
Mating Area gold plating

Anschlussbereich verzinkt 4-6 µm
Terminal Area 4-6 µm tin plating

Koplanarität der Anschlüsse ≤ 0,1 mm
Coplanarity Area of Termination ≤ 0,1 mm

Abspulrichtung - Reel off Direction



Copyright by ERNI GmbH
Proprietary notice pursuant to ISO 16016 to be observed.

| | | | | | |
|--|--|---|--|---|-----|
| Information: Codierung, rot - coding, red | | Tolerances | | Scale | 3:1 |
| All rights reserved. Only for Information. To ensure that this is the latest version of this drawing, please contact one of the ERNI companies before using. | | Subject to modification without prior notice. Drawing will not be updated. | | Designation M 2,54 SRC-P, 2-polig | |
| g | | 18.02.2016 | | 101404240001 | |
| Index | | Date | | K | |
| | | www.ERNI.com | | A3 | |
| | | ERNI | | Class SRCP | |