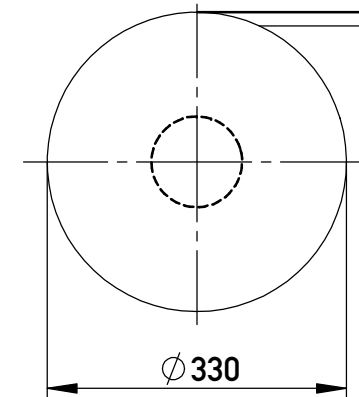
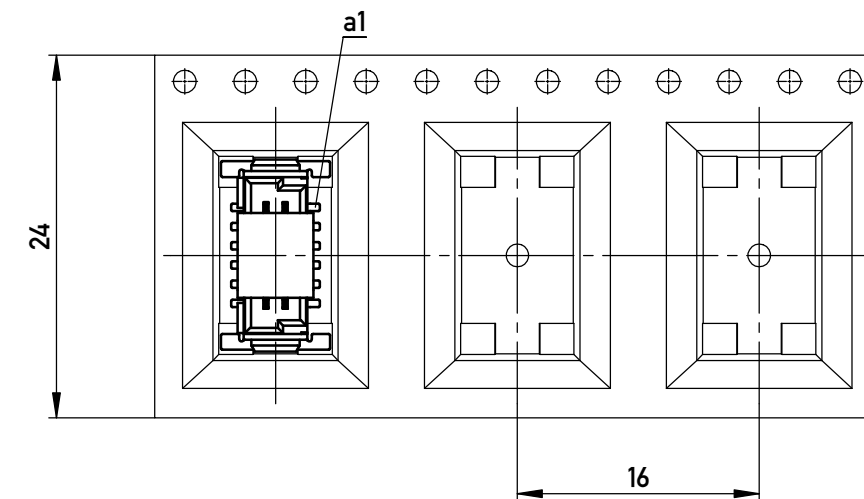


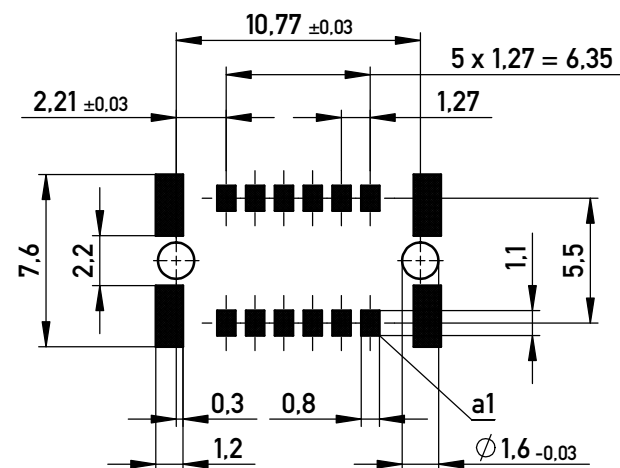
Verpackt im Gurt nach DIN IEC 60286-3  
 Tape on Reel Packaging according to DIN IEC 60286-3  
 Verpackungseinheit: 280 Stück  
 Packaging unit: 280 pcs



Abspulrichtung - Reel off Direction



Leiterplatten-Layout Vorschlag für SMT  
 PCB-Layout Proposal for SMT



BA 8-03 - Standard Bauhöhe  
 type 8-03 - Standard Assembly Height

Information:		Tolerances	 All Dimensions in mm	Scale	3:1
All rights reserved. Only for Information. To ensure that this is the latest version of this drawing, please contact one of the ERNI companies before using.		Subject to modification without prior notice. Drawing will not be updated.		Designation <b>Messerrl. SMC-Q-12-SMD-BA8-03</b> <b>Male SMC-Q 12-SMD-type8-03</b>	
Copyright by ERNI GmbH Proprietary notice pursuant to ISO 16016 to be observed.		www.ERNI.com		<b>101403880001</b>	
e	02.11.2015			K	
Index	Date			A3	
				Class	SMCQ