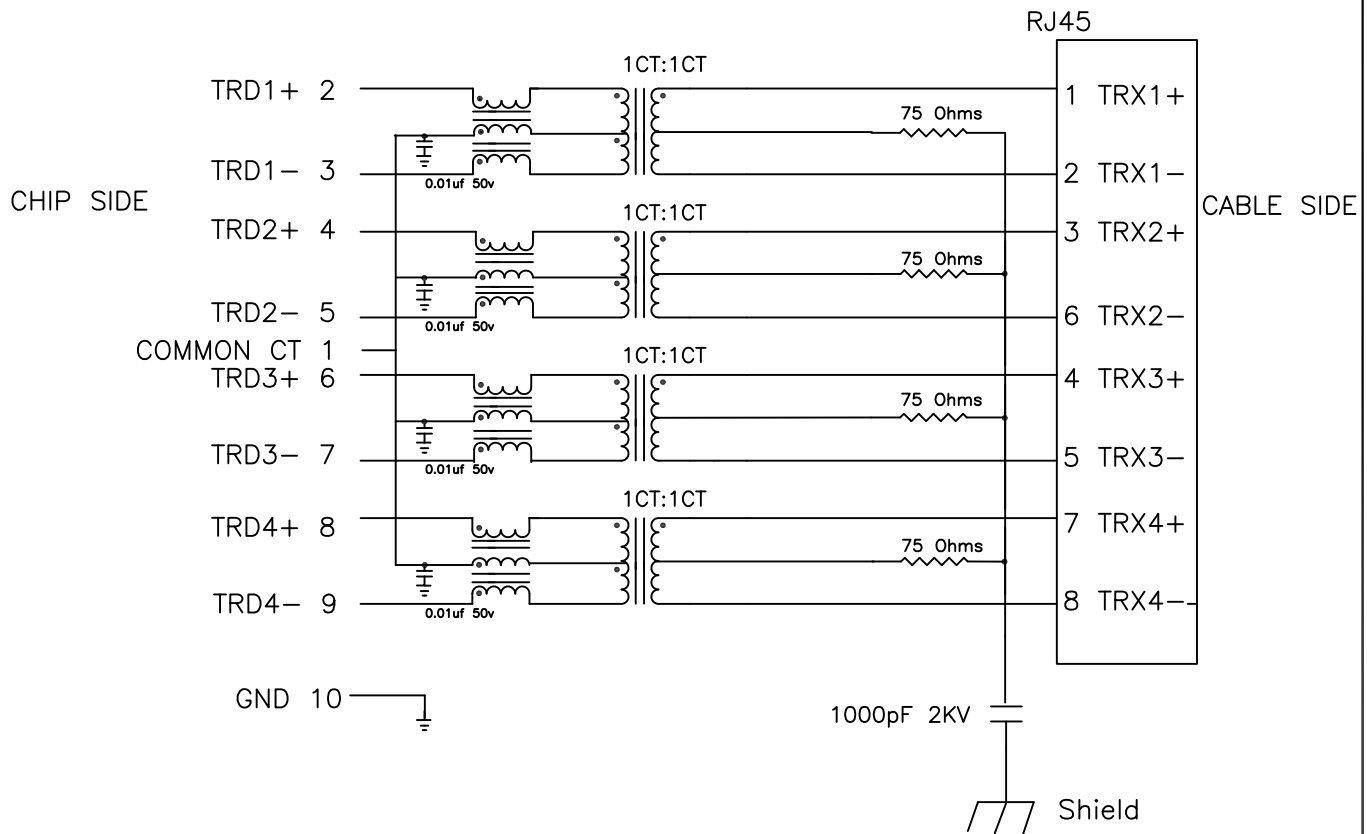
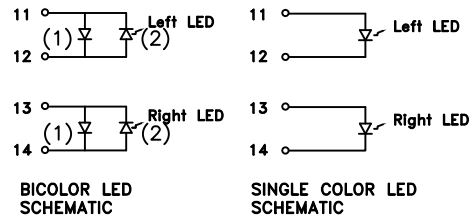


Schematic: (SINGLE PORT)



Electrical Specifications: @25°C

ISOLATION: 1500 Vrms
 TURNS RATIO: (PRI/SEC) 1CT:1CT ±2%
 OCL: 350uH MIN @100KHz 100mV 8mADC
 Rise Time: 1.75ns Max.
 INSERTION LOSS: -1.0dB Max @1MHz-100MHz
 -1.5dB Max @100-125MHz
 RETURN LOSS: -18dB Min @1-30MHz
 -15dB Min @40MHz -13.1dB Min @50MHz
 -12dB Min @60-80MHz -10dB Min @100MHz
 Differential to Common Mode Rejection:
 -43dB Typ @30MHz -37dB Typ @80MHz
 -33dB Typ @100MHz
 CMRR: -30dB Min @1-100MHz
 Crosstalk: -45dB Min @30MHz
 -40dB Min @60MHz -35dB Min @100MHz
 Q: 5 Min @100KHz 0.1V



Complete the Combo P/N as follows:

Replace 'x' & 'u' in the part number with one of the LED color letters:
 Y=Yellow 'x' = Left LED Color
 G=Green 'u' = Right LED Color
 A=Amber
 R=Red
 C=Green(1)/Amber(2) Bicolor
 D=Amber(1)/Green(2) Bicolor
 M=Green(1)/Yellow(2) Bicolor
 N=Yellow(1)/Green(2) Bicolor
 P=Red(1)/Green(2) Bicolor
 Q=Green(1)/Red(2) Bicolor
 E=Red(1)/Yellow(2) Bicolor
 F=Yellow(1)/Red(2) Bicolor
 H=Amber(1)/Yellow(2) Bicolor
 J=Green(1)/Green(2) Bicolor

Single Color LED: Bi-Color LED:

Notes:

- Solderability: Leads shall meet MIL-STD-202G, Method 208H for solderability.
- Flammability: UL94V-0
- ASTM oxygen index: > 28%
- UL Recognized Component: File Number E165866
- Operating Temperature Range: All listed parameters are to be within tolerance from -40°C to +85°C
- Storage Temperature Range: -55°C to +125°C
- Aqueous wash compatible
- Electrical and mechanical specifications 100% tested
- RoHS Compliant Component

DOC REV: A/4

PROPRIETARY

Document is the property of XFMRs Group & is not allowed to be duplicated without authorization.

XFMRs Inc
www.XFMRs.com

UNLESS OTHERWISE SPECIFIED
 TOLERANCES:
 .xxx ±0.010
 Dimensions in Inch
 SHEET 1 OF 2

Title: "0.850" TAB DOWN
 GIGABIT W/LED COMBO

P/N: XFGIG8T-CLxu1-4MS

REV. A

DWN.

Yuan

Dec-05-13

CHK.

YK Liao

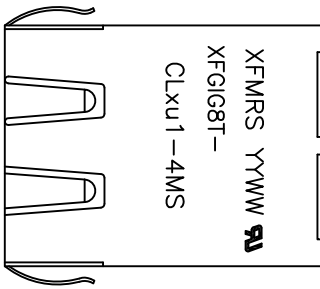
Dec-05-13

APP.

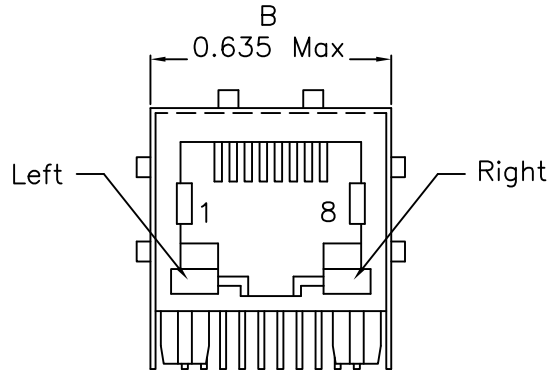
DDC

Dec-05-13

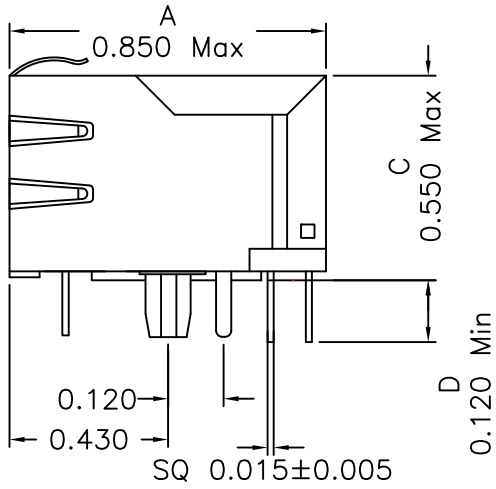
Mechanical Dimensions:



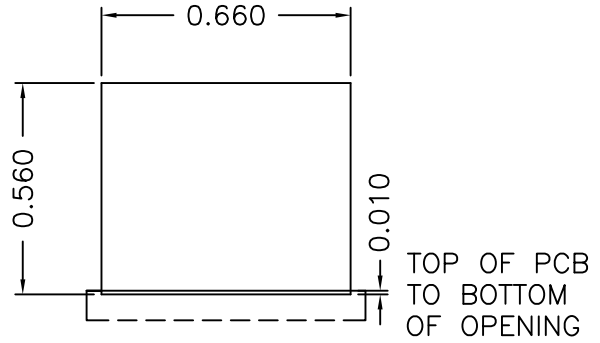
(TOP VIEW)



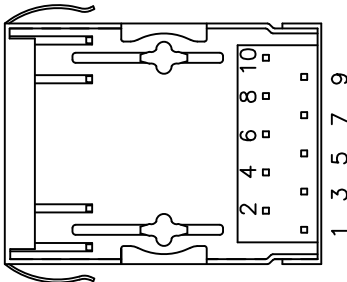
(FRONT VIEW)



(SIDE VIEW)

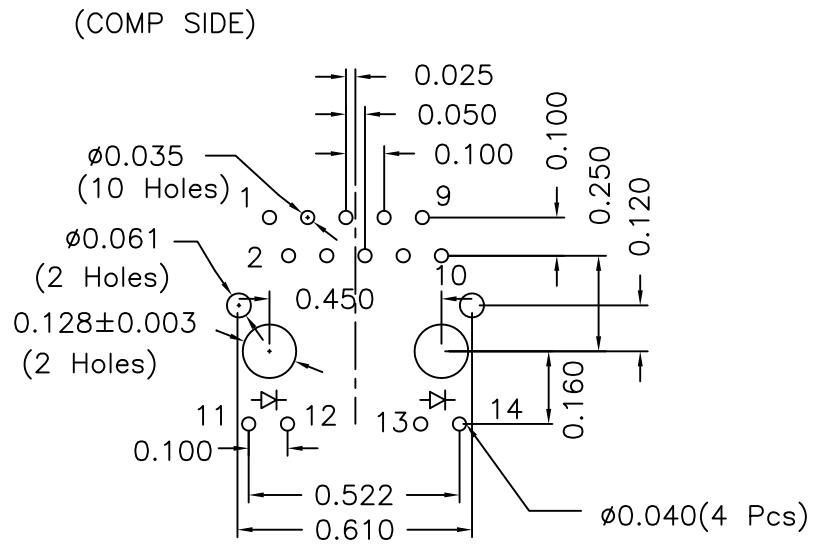


SUGGESTED PANEL CUTOUT DIMENSIONS



(BOTTOM VIEW)

Mounting Pattern:



DOC REV: A/4

XFMRS Inc.

Title: Mechanical Dimensions
For CLxu1-4MS Series

UNLESS OTHERWISE SPECIFIED

P/N: XFGIG8T-CLxu1-4MS

REV. A

TOLERANCES:
.xxx ±0.010
Dimensions in Inch

DWN.

Yuan

Dec-05-13

CHK.

YK Liao

Dec-05-13

SHEET 2 OF 2

APP.

DDC

Dec-05-13

PROPRIETARY:

Document is the property of XFMRS Group & is not allowed to be duplicated without authorization.