

NOTES:

1. MATERIAL:

HSG: PCT, 30% GLASS FILLED, UL 94V-0, COLOUR BLACK.

PIN: 0.50MM SQ PHOSPHOR BRONZE 510

2. PLATING:

***5 - 0.05um MIN - 0.25um MAX GOLD IN CONTACT AREA, 2.00um MIN TIN IN SOLDER TAIL AREA, BOTH OVER 1.25um MIN NICKEL OVERALL

***6 - 0.38um MIN GOLD IN CONTACT AREA, 2.00um MIN TIN IN SOLDER TAIL AREA, BOTH OVER 1.25um MIN NICKEL OVERALL

***7 - 0.76um MIN GOLD IN CONTACT AREA, 2.00um MIN TIN IN SOLDER TAIL AREA, BOTH OVER 1.25um MIN NICKEL OVERALL

***8 - 2.54um MIN TIN OVER 1.25um MIN NICKEL OVERALL

3. 12 CKT USED FOR ILLUSTRATION ONLY

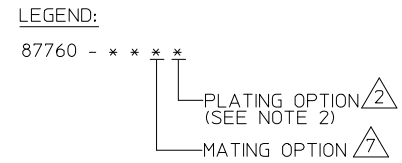
4. PART TO BE PACKED IN POCKET TRAY/TUBE (SEE TABLE).

5. PRODUCT SPEC PS-87761-100 APPLIES.

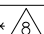
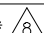
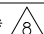
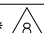
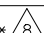
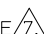
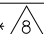
6. RECOMMENDED PCB BOARD THK 1.60 ± 0.10 MM.

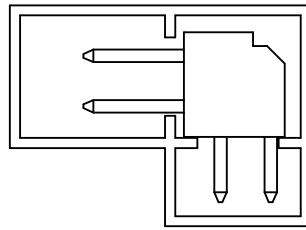
7. MATING LENGTH: 1 - 4.00MM, 2 - 3.50MM, 3 - 3.06MM, 4 - 5.75MM

8. PART NUMBERS THAT ARE UNAVAILABLE IN THIS SD: 87760-0646, 87760-1046, 87760-1446, 87760-2446, 87760-4046. (REFER TO SD-87760-133 FOR THESE PART NUMBERS)

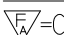
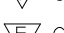
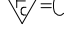




ADDITIONAL OPTIONS EC NO: S2013-0764 2013/04/30 DRVNATSEE 2013/05/23 CHYD:SKANG APPR:MLONG 2013/05/29	QUALITY SYMBOLS $F_A=0$ $F_C=0$ $F_P=0$	GENERAL TOLERANCES (UNLESS SPECIFIED)		DIMENSION STYLE MM ONLY		SCALE NTS	DESIGN UNITS METRIC	THIRD ANGLE PROJECTION			
		4 PLACES ± --- ± ---	3 PLACES ± --- ± ---	2 PLACES ± 0.2 ± ---	1 PLACE ± --- ± ---	DRAWN BY KSEE	DATE 2003/10/15	TITLE MGRID, 2MM DUAL ROW HDR. R/A			
		ANGULAR ± 3 °		DRAFT WHERE APPLICABLE MUST REMAIN WITHIN DIMENSIONS		CHECKED BY KCLING	DATE 2003/12/02	MOLEX INCORPORATED			
		SEE TABLE		THIS DRAWING CONTAINS INFORMATION THAT IS PROPRIETARY TO MOLEX INCORPORATED AND SHOULD NOT BE USED WITHOUT WRITTEN PERMISSION		APPROVED BY SKTOH	DATE 2003/12/11	MATERIAL NO.	DOCUMENT NO. SD-87760-109	SHEET NO. 1 OF 3	

	10	9	8	7	6	5	4	3	2	1
	PART NUMBER	VOID PIN LOCATION	CKT SIZE	A	B	M	T	PACKAGING TYPE		
F	87760-04**	-	04	2.00	4.00					
	87760-06** 	-	06	4.00	6.00					
	87760-08**	-	08	6.00	8.00					
	87760-10** 	-	10	8.00	10.00					
	87760-12** 	-	12	10.00	12.00					
	87760-14** 	-	14	12.00	14.00					
E	87760-16**	-	16	14.00	16.00					
	87760-18**	-	18	16.00	18.00					
	87760-20**	-	20	18.00	20.00					
	87760-22**	-	22	20.00	22.00					
	87760-24** 	-	24	22.00	24.00					
	87760-26**	-	26	24.00	26.00	REFER TO NOTE 	2.60	TRAY		
	87760-28**	-	28	26.00	28.00					
D	87760-30**	-	30	28.00	30.00					
	87760-32**	-	32	30.00	32.00					
	87760-34**	-	34	32.00	34.00					
	87760-36**	-	36	34.00	36.00					
	87760-38**	-	38	36.00	38.00					
	87760-40** 	-	40	38.00	40.00					
C	87760-42**	-	42	40.00	42.00					
	87760-44**	-	44	42.00	44.00					
	87760-46**	-	46	44.00	46.00					
	87760-48**	-	48	46.00	48.00					
	87760-50**	-	50	48.00	50.00					
B	87760-5116	5, 6 & 26	50	48.00	50.00					



PART IN TUBE

ADDITIONAL OPTIONS IEC NO: S2013-0764 DRWN:ATSEE 2013/04/30 CH'KD:SKANG 2013/05/23 APPR:MLONG 2013/05/29	QUALITY SYMBOLS  = 0  = 0  = 0	GENERAL TOLERANCES (UNLESS SPECIFIED)		DIMENSION STYLE MM ONLY		SCALE NTS	DESIGN UNITS METRIC	 THIRD ANGLE PROJECTION			
		4 PLACES ± --- ± --- 3 PLACES ± --- ± --- 2 PLACES ± 0.2 ± --- 1 PLACE ± --- ± ---	mm INCH ± --- ± --- ± 0.2 ± --- ± --- ± ---	DRAWN BY KSEE	DATE 2003/10/15	TITLE MGRID, 2MM DUAL ROW HDR. R/A					
		ANGULAR ± 3 °		CHECKED BY KCLING	DATE 2003/12/02	APPROVED BY SKTOH		DATE 2003/12/11	 MOLEX INCORPORATED		SHEET NO. 2 OF 3
		DRAFT WHERE APPLICABLE MUST REMAIN WITHIN DIMENSIONS		MATERIAL NO. SEE TABLE		DOCUMENT NO. SD-87760-109					

10	9	8	7	6	5	4	3	2	1
PART NUMBER	VOID PIN LOCATION	CKT SIZE	A	B	M	T	PACKAGING TYPE		
87760-531*	-	24	22.00	24.00	REFER TO NOTE 7.1	1.50	TRAY		
87760-5216	-	04	2.00	4.00	REFER TO NOTE 7.1	2.60	TUBE		
87760-5416	-	20	18.00	20.00					
87760-5248	-	28	26.00	28.00					

ADDITIONAL OPTIONS EC NO: S2013-0764 DRWN:ATSEE 2013/04/30 CHK:KSKANG 2013/05/23 APPR:MLONG 2013/05/29	DESCRIPTION REV	QUALITY SYMBOLS	GENERAL TOLERANCES (UNLESS SPECIFIED)	DIMENSION STYLE	SCALE	DESIGN UNITS	THIRD ANGLE PROJECTION																			
		$F_A=0$ $F_C=0$ $F_P=0$	<table border="1"> <tr> <th></th> <th>mm</th> <th>INCH</th> </tr> <tr> <td>4 PLACES</td> <td>± ---</td> <td>± ---</td> </tr> <tr> <td>3 PLACES</td> <td>± ---</td> <td>± ---</td> </tr> <tr> <td>2 PLACES</td> <td>± 0.2</td> <td>± ---</td> </tr> <tr> <td>1 PLACE</td> <td>± ---</td> <td>± ---</td> </tr> </table>		mm	INCH	4 PLACES	± ---	± ---	3 PLACES	± ---	± ---	2 PLACES	± 0.2	± ---	1 PLACE	± ---	± ---	MM ONLY	NTS	METRIC					
			mm	INCH																						
		4 PLACES	± ---	± ---																						
		3 PLACES	± ---	± ---																						
2 PLACES	± 0.2	± ---																								
1 PLACE	± ---	± ---																								
	<table border="1"> <tr> <th>DRAWN BY</th> <th>DATE</th> <th>TITLE</th> </tr> <tr> <td>KSEE</td> <td>2003/10/15</td> <td rowspan="3">MGRID, 2MM DUAL ROW HDR. R/A</td> </tr> <tr> <th>CHECKED BY</th> <th>DATE</th> </tr> <tr> <td>KCLING</td> <td>2003/12/02</td> </tr> </table>	DRAWN BY	DATE	TITLE	KSEE	2003/10/15	MGRID, 2MM DUAL ROW HDR. R/A	CHECKED BY	DATE	KCLING	2003/12/02	<table border="1"> <tr> <th>DRAWN BY</th> <th>DATE</th> </tr> <tr> <td>KSEE</td> <td>2003/10/15</td> </tr> <tr> <th>CHECKED BY</th> <th>DATE</th> </tr> <tr> <td>KCLING</td> <td>2003/12/02</td> </tr> <tr> <th>APPROVED BY</th> <th>DATE</th> </tr> <tr> <td>SKTOH</td> <td>2003/12/11</td> </tr> </table>	DRAWN BY	DATE	KSEE	2003/10/15	CHECKED BY	DATE	KCLING	2003/12/02	APPROVED BY	DATE	SKTOH	2003/12/11		MOLEX INCORPORATED
DRAWN BY	DATE	TITLE																								
KSEE	2003/10/15	MGRID, 2MM DUAL ROW HDR. R/A																								
CHECKED BY	DATE																									
KCLING	2003/12/02																									
DRAWN BY	DATE																									
KSEE	2003/10/15																									
CHECKED BY	DATE																									
KCLING	2003/12/02																									
APPROVED BY	DATE																									
SKTOH	2003/12/11																									
A15	DRAFT WHERE APPLICABLE MUST REMAIN WITHIN DIMENSIONS	SEE TABLE	MATERIAL NO. SKTOH	DOCUMENT NO. SD-87760-109	SHEET NO. 3 OF 3																					