

Kingtronics®

KBPC10005 THRU KBPC1010

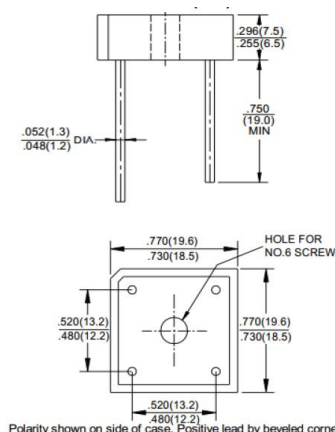
SINGLE-PHASE BRIDGE RECTIFIER

REVERSE VOLTAGE 50 to 1000 Volts FORWARD CURRENT 10.0 Ampere

FEATURES

- Rating to 1000V PRV
- Surge overload rating to 175 Amperes peak
- Ideal for printed circuit board
- Reliable low cost construction utilizing molded plastic technique results in inexpensive product
- Lead solderable per MIL-STD-202 method 208
- Mounting: thru hole for # 6 screw Mounting

BR-8



MAXIMUM RATINGS AND ELECTRICAL CHARACTERISTICS

Ratings at 25°C ambient temperature unless otherwise specified ,
Single phase, half wave, 60Hz, resistive or inductive load.

Dimensions in inches and (millimeters)

For capacitive load derate current by 20%

PARAMETER	SYMBOL	KBPC 10005	KBPC 1001	KBPC 1002	KBPC 1004	KBPC 1006	KBPC 1008	KBPC 1010	UNIT
Maximum Repetitive Peak Reverse Voltage	V_{RRM}	50	100	200	400	600	800	1000	V
Maximum RMS Voltage	V_{RRM}	35	70	140	280	420	560	700	V
Maximum DC Blocking Voltage	V_{DC}	50	100	200	400	600	800	1000	V
Maximum Average Forward And Output Current @ $T_A=50^\circ\text{C}$	$I_F (AV)$	10.0							A
Non-Repetitive Peak Forward Surge Current 8.3ms Single half sine-wave superimposed on rated load	I_{FSM}	175.0							A
Maximum instantaneous forward voltage at 5.0 A	V_F	1.0							V
Maximum Reverse Current @ $T_A=25^\circ\text{C}$ at rated DC blocking voltage @ $T_A=125^\circ\text{C}$	I_R	5.0 0.5							 uA mA
Operating junction temperature range	T_J	-55 to +125							°C
Storage Temperature Range	T_{STG}	-55 to +150							°C

- 1- Unit mounted on 8.7"×8.7"×0.24" thick (22×22×0.6 cm) Al. plate.
- 2- Unit mounted on P.C.B at 0.375" (9.5mm) lead length with 0.47"×0.47" (12×12mm) copper pads.

Kingtronics® International Company

Website: www.kingtronics.com Email: info@kingtronics.com Tel: (852) 8106 7033 Fax: (852) 8106 7099

Kingtronics®

KBPC1005 THRU KBPC1010

RATINGS AND CHARACTERISTIC CURVES

FIG.1 – PEAK FORWARD SURGE CURRENT

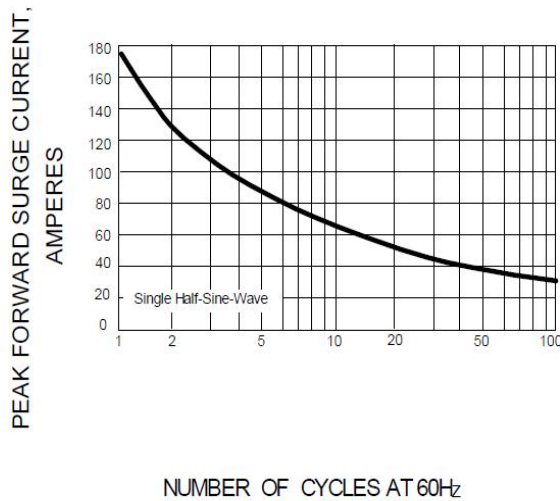


FIG.2 – FORWARD DERATING CURVE

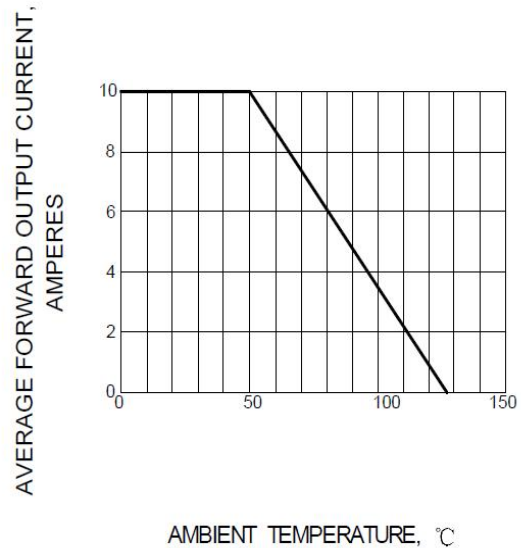


FIG.3 – TYPICAL FORWARD CHARACTERISTIC

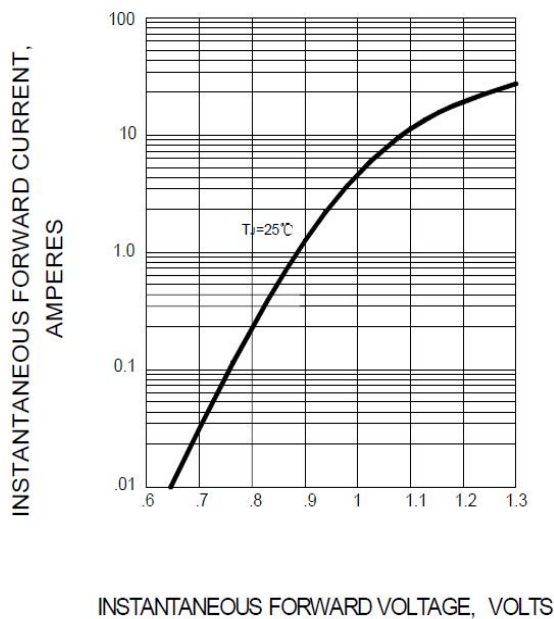
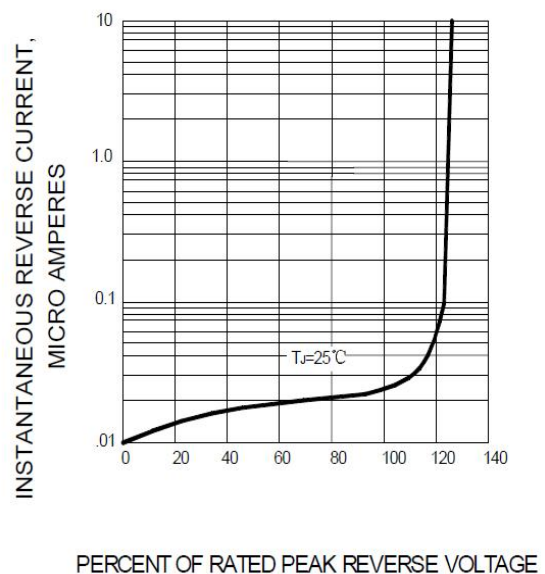


FIG.4 – TYPICAL REVERSE CHARACTERISTIC



Note: Specifications are subject to change without notice.

Kingtronics® International Company