

## SPECIFICATION

Part No. : **CGGP.35.3.A.02**

Specification No : CGGP.35A

Product Name : 3.5mm thick GPS/Glonass Patch Antenna,  
1575-1610MHz

Features : 35mm\*35mm\*3.5mm  
ROHS Compliant

:

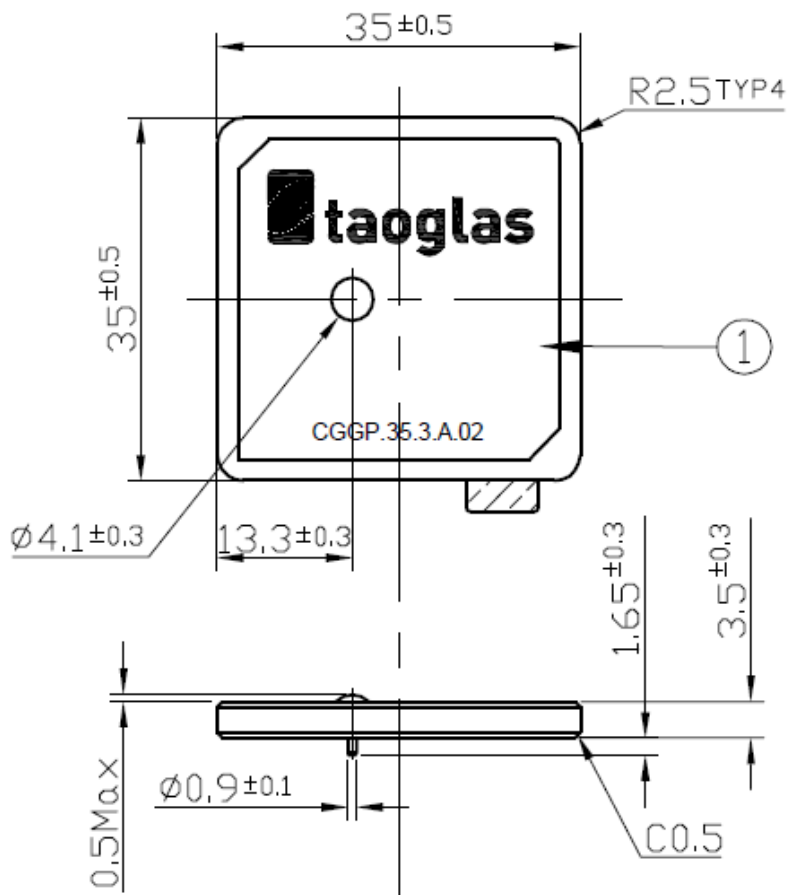


# 1. Key Antenna Performance Indicators

No	Parameter	Specification	Notes
1	Range of Receiving Frequency	GPS : 1575.42 ±1.023 MHz GLONASS : 1602±5MHz	
2	Center Frequency	1592MHz ± 6MHz	50*50mm GND Plane
3	Bandwidth	26MHz min	Return Loss @-10 dB
4	VSWR	1.5 max	Center Frequency
5	Gain at Zenith	+1.5 dBic typ.	
6	Polarization	RHCP	
7	Impedance	50 Ohms	
8	Frequency Temperature Coefficient ( $\tau_f$ )	0 ± 20ppm / °C	-40°C to +85°C
9	Operating Temperature	-40°C to +85°C	

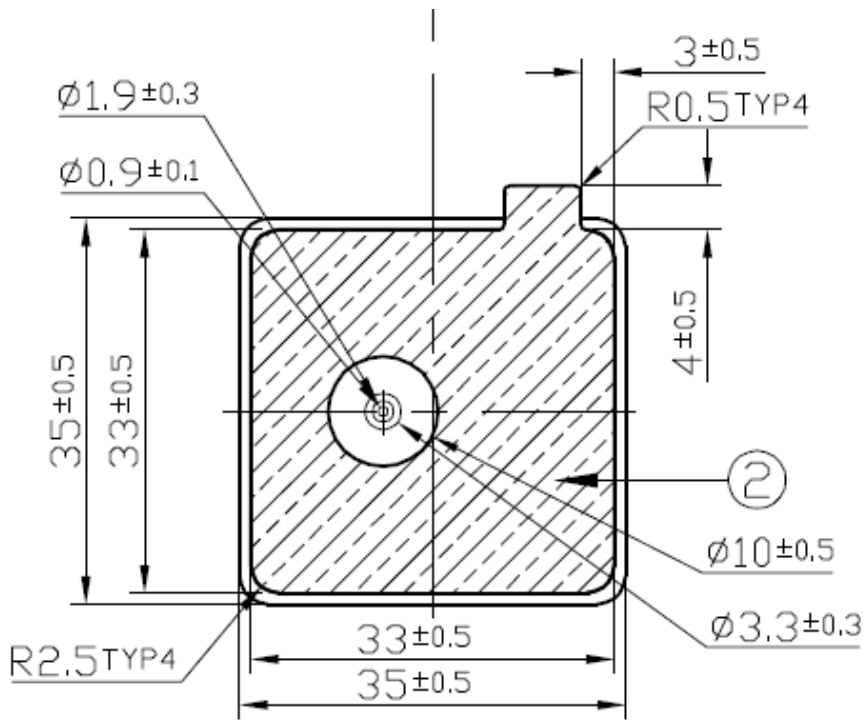
## 2. Mechanical Specifications

### 2.1 Shape and Dimension



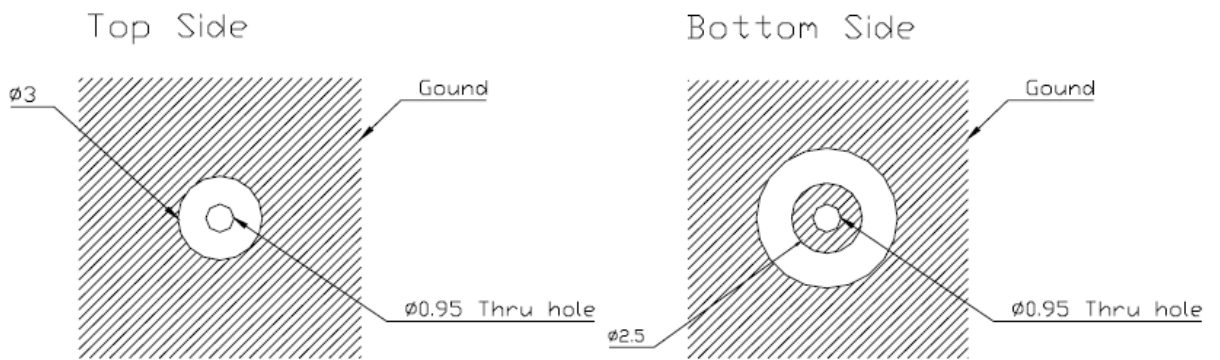
Top View

Side View



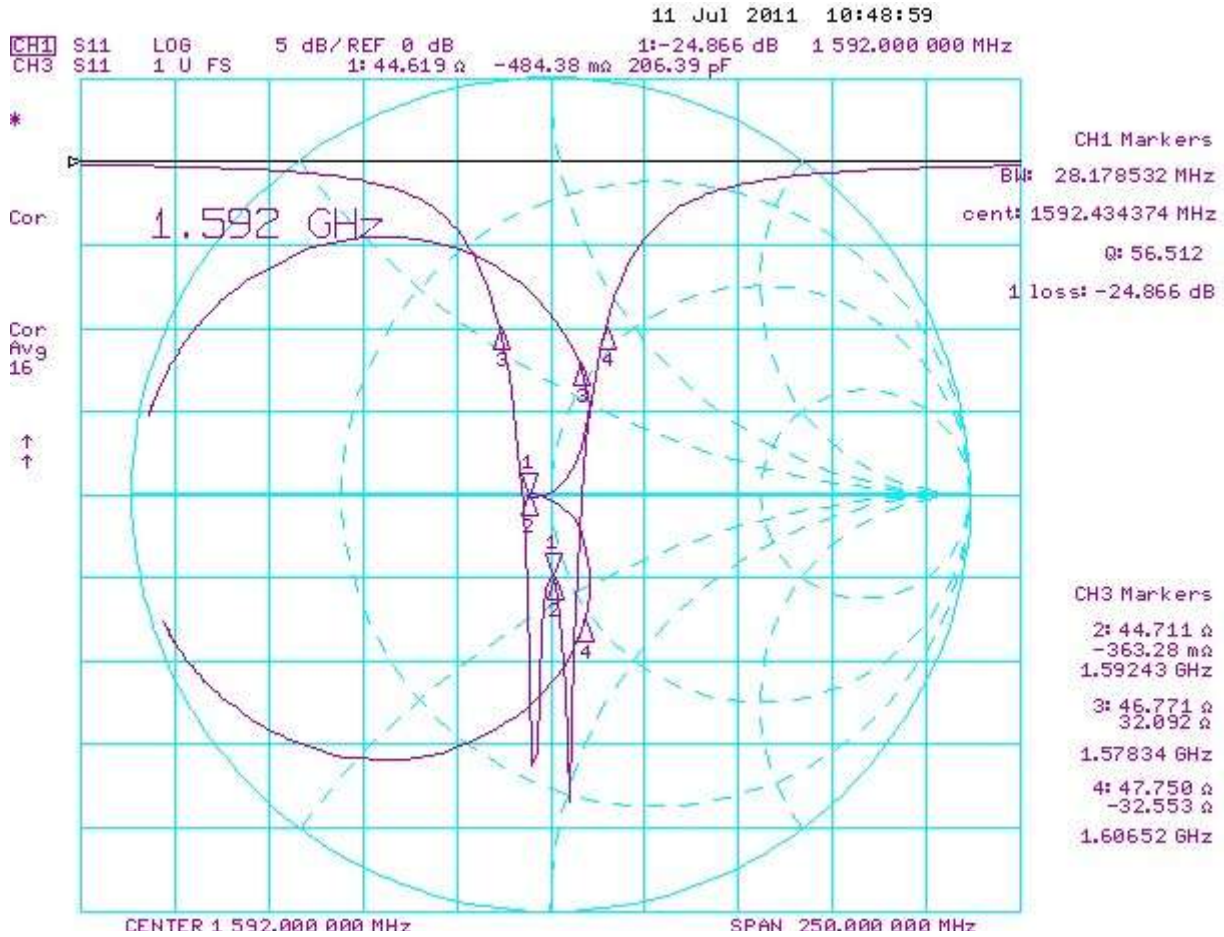
Bottom View

## 2.2 Layout



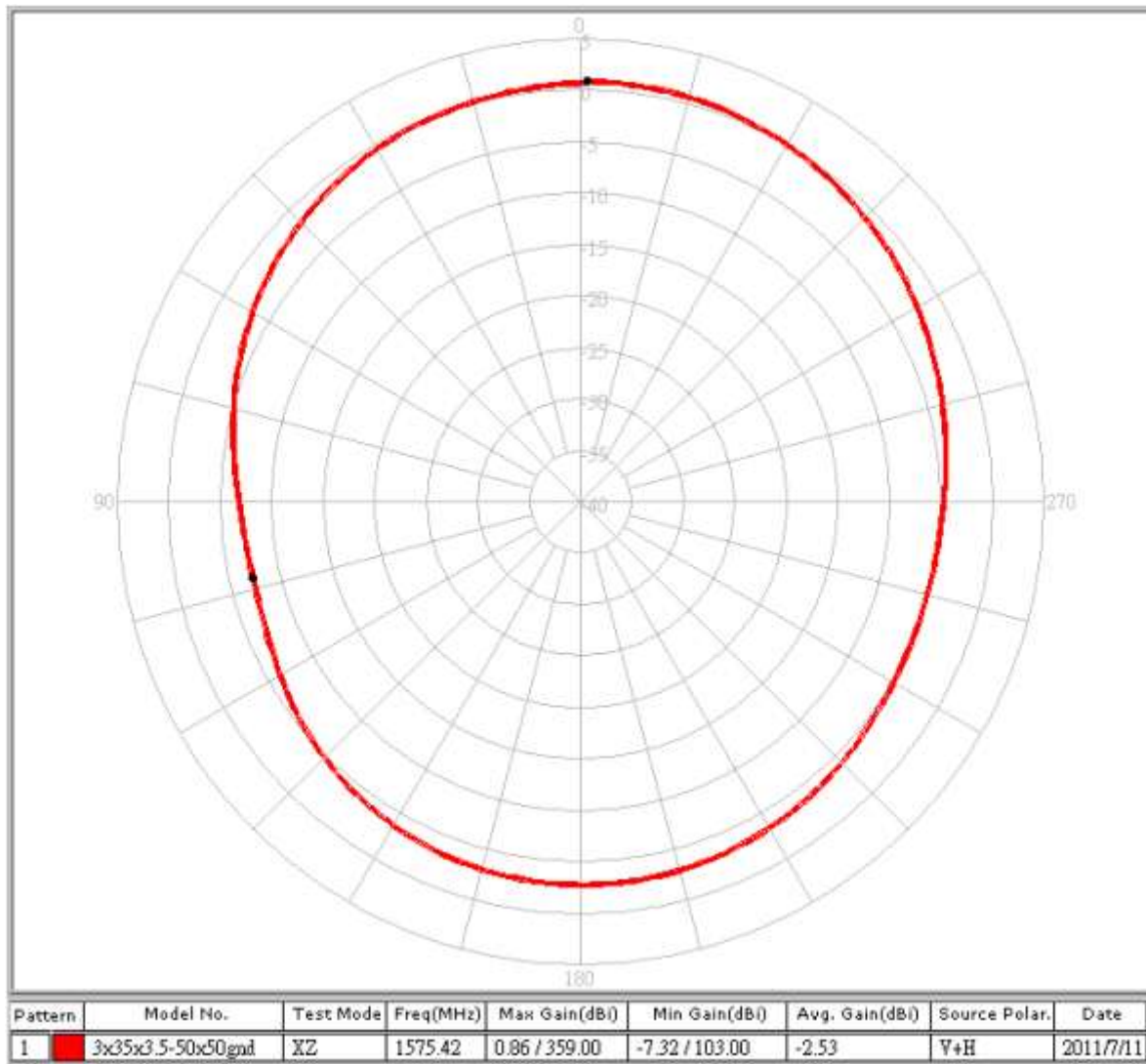
TOL:  $\pm 0.20$   
UNIT: mm

### 3. Performance testing and results

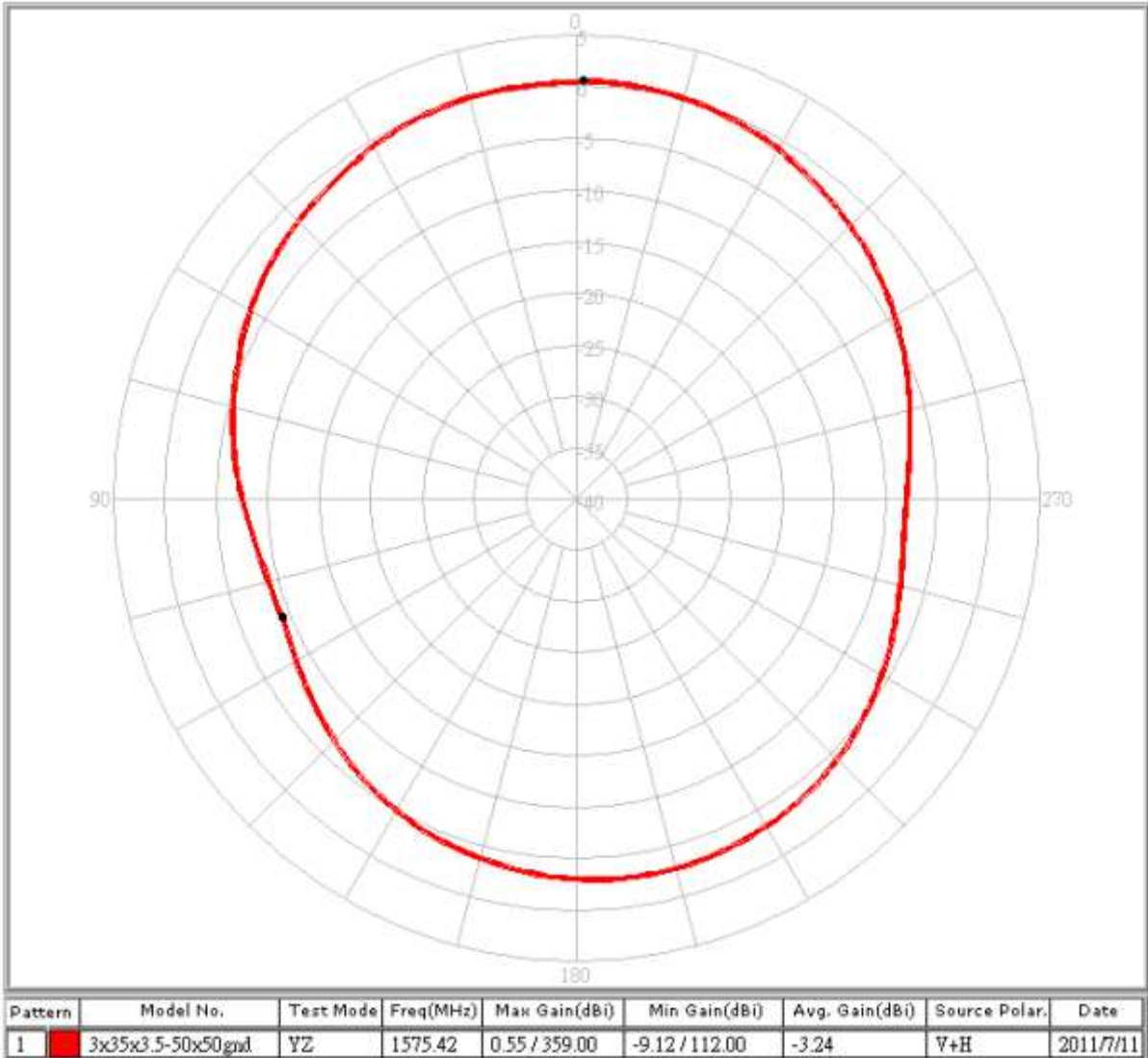


## 4. 2D Radiation Patterns

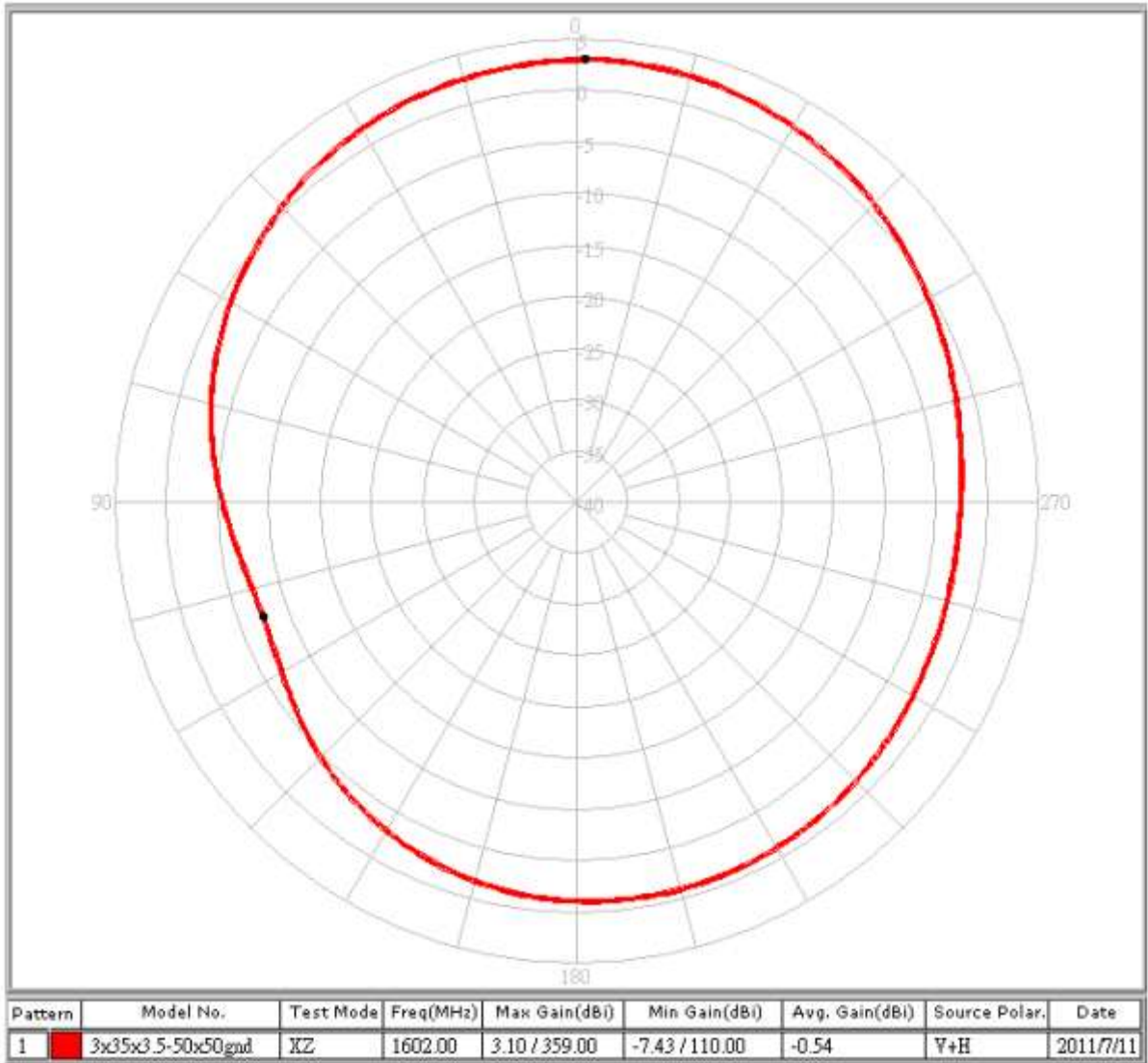
### 4.1 1575MHz - XZ-Plane



## 4.2 1575MHz - YZ-Plane

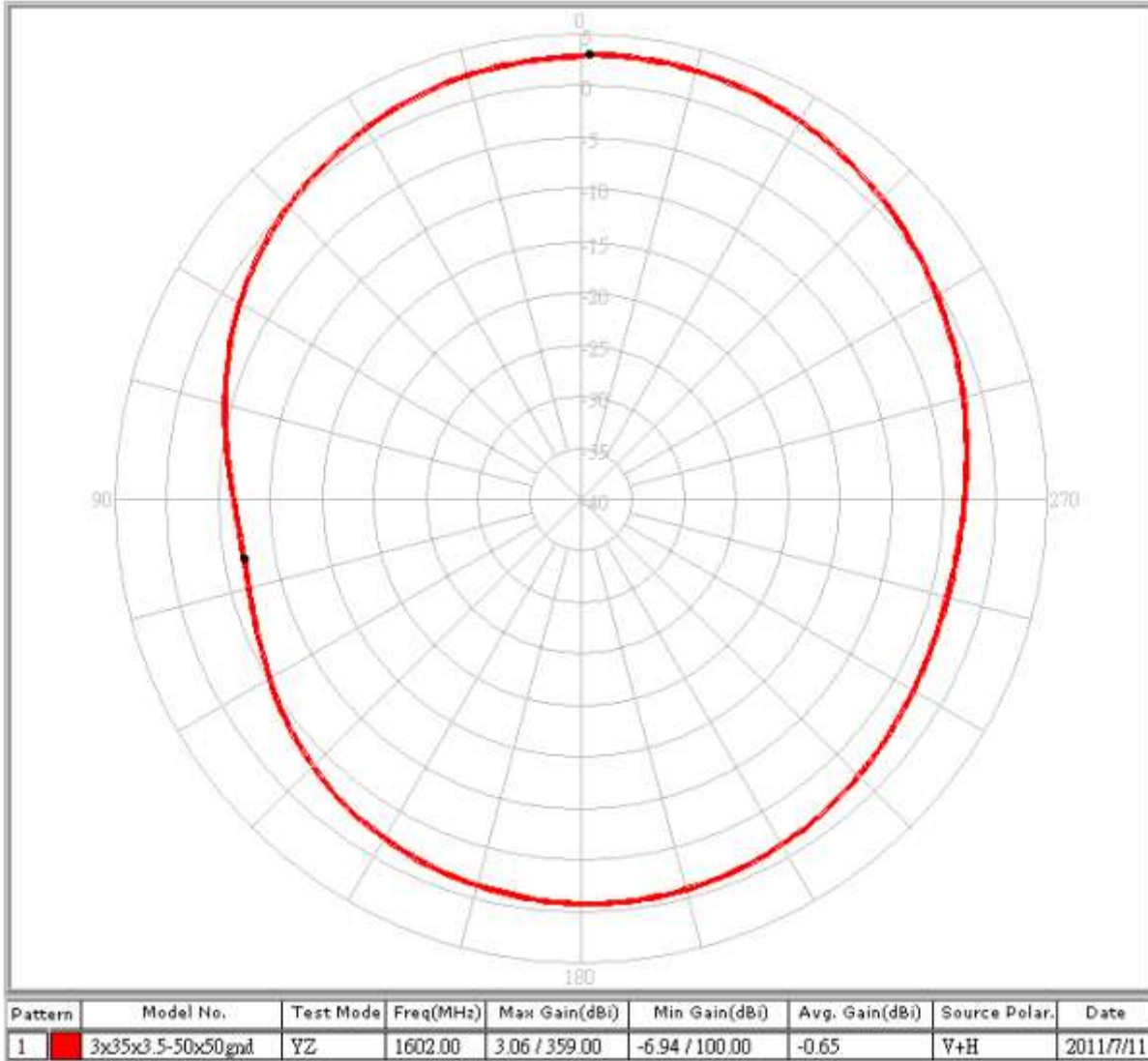


### 4.3 1602MHz - XZ-Plane





### 4.4 1602MHz - YZ-Plane





## 5. Packing

