

POS



POS-6620

The One-of-a-kind
Highly Integrated 10.4"
POS Terminal

Features and Benefits:

- Intel® Atom™ D525 CPU
- 10.4" LCD display with touch
- Flexible design for versatile applications
- Optional 2"/3" easy loading thermal printer
- Optional MSR, i-Button & fingerprint module & RFID module
- Small footprint
- Streamline design



PROTECH SYSTEMS

It's the right choice

Protech Systems Co., Ltd.

No. 24, Lane 365, Yang Goang Street, Nei Hu District Taipei 114, Taiwan
TEL: +886-2-8751-1111 FAX: +886-2-8751-1199
E-mail: sales@protech.com.tw
<http://www.protech.com.tw>

Protech Technologies Inc.

950 Fee Ana St, Suite B Placentia, CA 92870
TEL: +1-714-996-7200 FAX: +1-714-996-7300
Sales: sales@protech-usa.net
<http://www.protech-usa.net>

Protech Japan Co., Ltd.

OSK Bldg, 6F, 6-25-14, Minami-ohi Shinagawa-ku, Tokyo, 140-0013
TEL: +81-3-5753-8411 FAX: +81-3-3763-9282
E-mail: sam@protech-j.com
<http://www.protech-j.com>

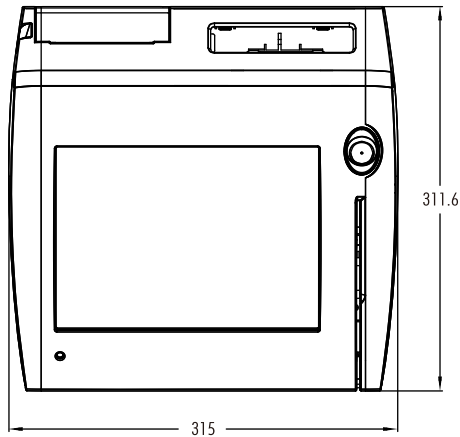
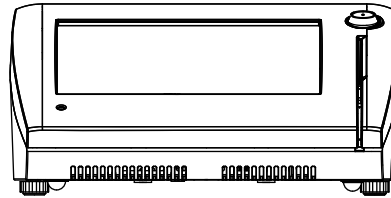
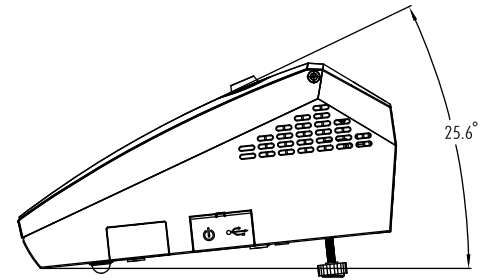


ISO CERTIFIED

9001 14001

POS-6620

The One-of-a-kind Highly Integrated 10.4" POS Terminal

Top View

Front View

Side View


Unit: mm

Specification

System	
CPU Support	Intel® Atom™ D525 CPU
Memory	1 x DDR3 SO-DIMM Slot, 1G DDR3 SO-DIMM (up to 4GB)
Core Logic	Intel® ICH8M
Network	10/100/1000 Base-T Fast Ethernet
Power Supply	120Watt power adapter
System Weight	4.8 kg
Dimension (W x H x D)	315 x 312 x 155 mm (12.28" x 12.16" x 6.04")
O.S. Support	WINXP /POSReady2009 /WEPOS /WES2009 / WIN7 /POSReady7

Storage

HDD	1 x 2.5" SATA HDD
SSD	Optional SATA SSD 8G / 16G / 32G / 64G

I/O Ports

USB	5 x USB 2.0
Serial Ports	2 x DB-9 (COM 1/2), 1 x RJ45 (COM 3), +5/12V Selectable (COM 1~3)
PS/2	1 x PS/2 ports (default at keyboard)
LAN	1 x 10 / 100/1000 Mbps
VGA	1 x DB-15 VGA interface
Audio	1 x 2W speaker
Cash Drawer	1 x RJ11 Cash Drawer port (12V/24V)
Printer	2" or 3" easy loading thermal printer with Auto cutter

Display

LCD	10.4" TFT LCD
Max. Resolution	1024 x 768 / 800 x 600
Brightness	300 / 230 cd/m ²
Touch Screen	5-wire Analog resistive
Tilt Angle	24 ~ 30 degrees

Environment

EMC & Safety	CE / FCC
Operating Temp.	0 ~ 35° C
Storage Temp.	-20 ~ 60° C
Humidity	20 ~ 90%

Ordering Informatio

PA-3201RA-A0B	POS-6620 with ELO Resistive touch, 1024 x 768 LCD Panel, 120W Power Adaptor
PA-3201RZ-24A	DDR3 2G Ram / 2.5" HDD
PA-3200RZ-34W	ISO,14443A, Mifare® Class / UltraLight , Mifare® PRO, DESfire, DESfire EV1
PA-3200RZ-42A	MSR, JIS-I or II, ISO Track1+2+3 (PS/2 interface)
PA-3200RZ-52B	Vacuum Fluorescent Display, 20 columns and 2 lines, each column is 5 x 7 dots
PA-3200RZ-64A	3" Thermal Printer (RS-232 Interface)
PA-3100RZ-81A	Mini PCIe Wireless LAN Module 802.11 b/g
Color	Red, Navy Blue, Black or White

All of trademarks and brand names are the property of their owners. Trademark "Protech" is the property of Protech Systems Co., Ltd. All information contained in this document is subject to change without any prior notice. This catalog is copyrighted in Jan. 2013.