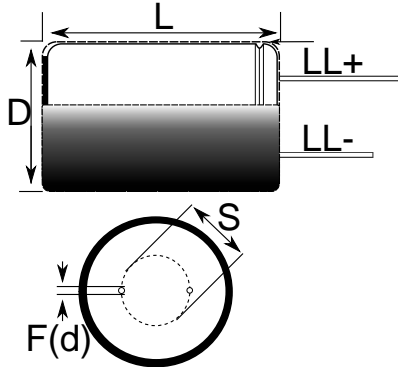


Aluminum Electrolytic, 105C LowZ, EST, 1500 uF, 20%, 6.3 V, -40/+105C, Lead Spacing = 3.5mm



Note: '()' correspond to the letters used in the product bulletin

Dimensions	
D	8mm +/-0.5mm
L	20mm +2mm
S	3.5mm +/-0.5mm
LL Negative	15mm MIN
LL Positive	20mm MIN
F	0.6mm NOM

Packaging Specifications	
Packaging:	Bulk, Bag
Packaging Quantity:	4000

General Information	
Dielectric:	Aluminum Electrolytic
Series:	EST
Description:	LowZ, Long Life, Single Ended Aluminum Electrolytic
Features:	Low Z, Long Life, Low Impedance
RoHS:	Yes
Lead:	Wire Leads

Specifications	
Capacitance:	1500 uF
Capacitance Tolerance:	20%
Voltage DC:	6.3 VDC, 8 VDC (Surge)
Temperature Range:	-40/+105C
Rated Temperature:	105C
Life:	6000 Hrs
Dissipation Factor:	22%
Resistance:	0.11 Ohms (100kHz 20C)
Current:	1050 mAmps (100kHz 105C)
Leakage Current:	94.5 uA (2min 20C)
Impedance Ratio at -25C:	4
Impedance Ratio at -40C:	8