

Wall Industries, Inc.

WMM24 SERIES

90 ~ 264VAC

Single Output, Up to 24 Watts

Wall mount with Changeable plugs

Medical AC/DC Power Supplies



FEATURES

- Up to 24W
- Single Output
- RoHS Compliant
- Output Voltages Available from 5VDC to 48VDC
- 100% Burn-In and Hi-Pot Tested
- Wide Input Voltage Range: 90~264VAC, 47~63Hz
- High Reliability
- Over Voltage, Over Load, and Short Circuit Protection
- EMC Compliance
- UL60601-1, EN60601-1-2, IEC 60601-1 Safety Approvals
- Meets CEC, ERP, EISA, and Energy Star Level V Requirements
- Meets UL 1310 NEC Class 2 Requirement
- Interchangeable Plug Options: EU, UK, AUS, and US Types

Interchangeable Plug Options:

- United States (US) Type: (Suffix “U”)
- Europe (EU) Type: (Suffix “E”)
- United Kingdom (UK) Type: (Suffix “K”)
- Australia (AUS) Type: (Suffix “A”)

DESCRIPTION

The WMM24 series offers up to 24 watts of output power in a single output wall mount power supply with interchangeable plugs. This series has UL60601-1, EN60601-1-2, and IEC 60601-1 medical safety approvals. All units are short circuit, over voltage, and over load protected. Output voltages range from 5 to 48VDC. All units meet CEC, ERP, EISA, and Energy Star Level V requirements as well as UL 1310 NEC Class 2 requirements. These supplies are RoHS compliant and have been 100% burn-in and Hi-pot tested. Plugs come in United States (US), Europe (EU), Australia (AUS), and United Kingdom (UK) types. Plugs are sold separately so please contact factory for ordering details.

SPECIFICATIONS: WMM24 Series

All specifications are based on 25°C, Nominal Input Voltage, and Maximum Output Current unless otherwise noted.
We reserve the right to change specifications based on technological advances.

INPUT SPECIFICATIONS

Input Voltage Range	90 ~ 264VAC (Full Range)
Input Frequency	47 ~ 63Hz
Input Current (rms)	0.7A at 90VAC max. 0.35A at 264VAC max.
No Load Power Consumption	< 300mW

OUTPUT SPECIFICATIONS

Output Current	See Table
Output Voltage	See Table
Voltage Regulation	+5% / -3%
Output Power	See Table
Ripple & Noise (<i>See Note 1</i>)	±1%
Hold Up Time	> 10ms typical at full load and 115VAC

PROTECTION

Short Circuit Protection	Auto-recovery
Over Voltage Protection	Latch, AC recycle
Over Load Protection	Auto-recovery

ENVIRONMENTAL SPECIFICATIONS

Operating Temperature	-20°C to +40°C
Storage Temperature	-20°C to +85°C
Humidity	20% to 90%
MTBF	> 150,000 hours at full load and 25°C ambient temperature

PHYSICAL SPECIFICATIONS

Dimensions (L x W x H)	US Type: 3.13 x 1.97 x 2.06 inches (79.5 x 50.0 x 52.4 mm) EU Type: 3.13 x 1.97 x 2.84 inches (79.5 x 50.0 x 72.1 mm) AUS Type: 3.13 x 1.97 x 2.47 inches (79.5 x 50.0 x 62.8 mm) UK Type: 3.13 x 1.97 x 2.44 inches (79.5 x 50.0 x 62.1 mm)
Net Weight	5.64oz (160g) max.
AC Plug (<i>See Notes 2 & 3</i>)	US, EU, AUS, and UK types available

SAFETY & EMI

Safety Standards	UL 60601-1, CSA-C22.2 NO.601.1-M90, NEMKO EN60601-1, CB IEC60601-1
EMI Standards	EN60601-1-2, FCC Part 18 Class B, EN55011 Class B, CE

All models meet CEC, ERP, EISA, and Energy Star Level V requirements

All models meet UL 1310 NEC Class 2 requirements

MODEL SELECTION TABLE

Model Number	Input Voltage Range	Output Voltage	Output Current	Ripple & Noise ⁽¹⁾	Output Regulation	Output Power	AC Plug Type
WMM15-1Y05KU	90 ~ 264 VAC	5 VDC	3A	50mVp-p	+5% / -3%	15W	US
WMM24-1Y09KU		9 VDC	2.67A	90mVp-p	+5% / -3%	24W	US
WMM24-1Y12KU		12 VDC	2A	120mVp-p	+5% / -3%	24W	US
WMM24-1Y16KU		16 VDC	1.5A	160mVp-p	+5% / -3%	24W	US
WMM24-1Y18KU		18 VDC	1.34A	180mVp-p	+5% / -3%	24W	US
WMM24-1Y24KU		24 VDC	1A	240mVp-p	+5% / -3%	24W	US
WMM24-1Y36KU		36 VDC	0.67A	360mVp-p	+5% / -3%	24W	US
WMM24-1Y48KU		48 VDC	0.5A	480mVp-p	+5% / -3%	24W	US
WMM15-1Y05KE	90 ~ 264 VAC	5 VDC	3A	50mVp-p	+5% / -3%	15W	EU
WMM24-1Y09KE		9 VDC	2.67A	90mVp-p	+5% / -3%	24W	EU
WMM24-1Y12KE		12 VDC	2A	120mVp-p	+5% / -3%	24W	EU
WMM24-1Y16KE		16 VDC	1.5A	160mVp-p	+5% / -3%	24W	EU
WMM24-1Y18KE		18 VDC	1.34A	180mVp-p	+5% / -3%	24W	EU
WMM24-1Y24KE		24 VDC	1A	240mVp-p	+5% / -3%	24W	EU
WMM24-1Y36KE		36 VDC	0.67A	360mVp-p	+5% / -3%	24W	EU
WMM24-1Y48KE		48 VDC	0.5A	480mVp-p	+5% / -3%	24W	EU
WMM15-1Y05KA	90 ~ 264 VAC	5 VDC	3A	50mVp-p	+5% / -3%	15W	AUS
WMM24-1Y09KA		9 VDC	2.67A	90mVp-p	+5% / -3%	24W	AUS
WMM24-1Y12KA		12 VDC	2A	120mVp-p	+5% / -3%	24W	AUS
WMM24-1Y16KA		16 VDC	1.5A	160mVp-p	+5% / -3%	24W	AUS
WMM24-1Y18KA		18 VDC	1.34A	180mVp-p	+5% / -3%	24W	AUS
WMM24-1Y24KA		24 VDC	1A	240mVp-p	+5% / -3%	24W	AUS
WMM24-1Y36KA		36 VDC	0.67A	360mVp-p	+5% / -3%	24W	AUS
WMM24-1Y48KA		48 VDC	0.5A	480mVp-p	+5% / -3%	24W	AUS
WMM15-1Y05KK	90 ~ 264 VAC	5 VDC	3A	50mVp-p	+5% / -3%	15W	UK
WMM24-1Y09KK		9 VDC	2.67A	90mVp-p	+5% / -3%	24W	UK
WMM24-1Y12KK		12 VDC	2A	120mVp-p	+5% / -3%	24W	UK
WMM24-1Y16KK		16 VDC	1.5A	160mVp-p	+5% / -3%	24W	UK
WMM24-1Y18KK		18 VDC	1.34A	180mVp-p	+5% / -3%	24W	UK
WMM24-1Y24KK		24 VDC	1A	240mVp-p	+5% / -3%	24W	UK
WMM24-1Y36KK		36 VDC	0.67A	360mVp-p	+5% / -3%	24W	UK
WMM24-1Y48KK		48 VDC	0.5A	480mVp-p	+5% / -3%	24W	UK

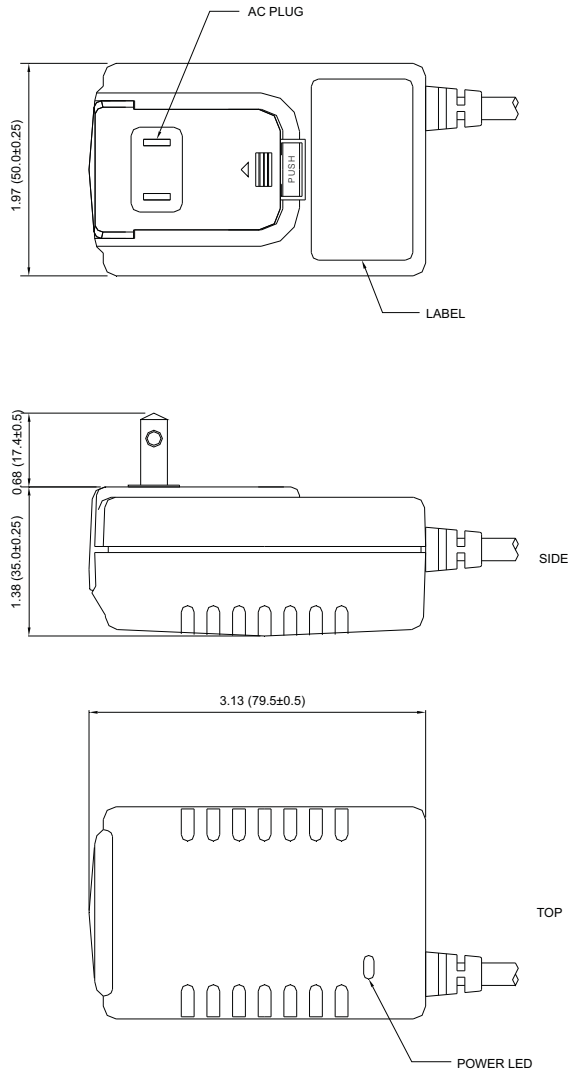
NOTES

1. Ripple and Noise is measured at 20MHz bandwidth with a tantalum 10µF in parallel with a 0.1µF ceramic capacitor.
2. Suffix Options: United States (US) = U; Europe (EU) = E; Australia (AUS) = A; and United Kingdom (UK) = K.
3. Individual interchangeable AC plugs are available for purchase. Please contact factory for ordering details.

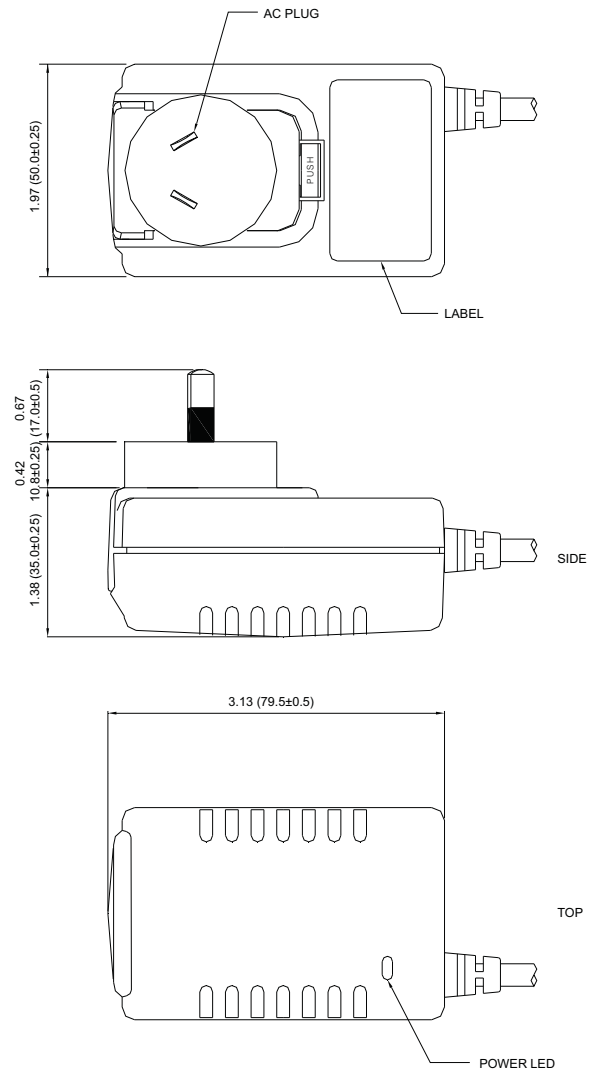
MECHANICAL DRAWINGS

Unit: inches (mm)

United States (US) Type



Australia (AUS) Type



Standard Output Cable

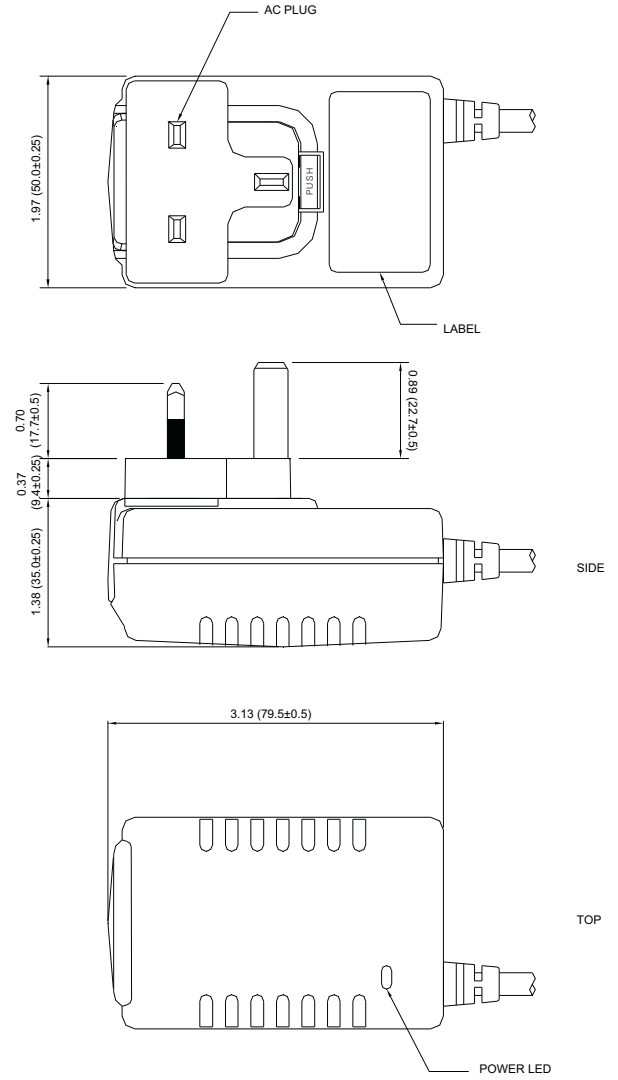
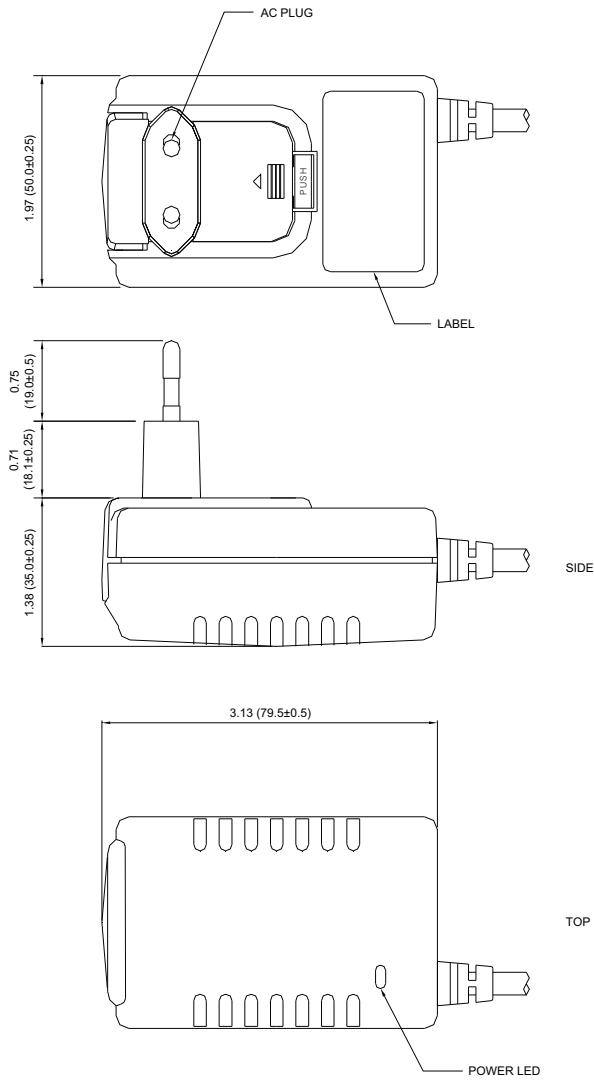
1. AWM 1185 # 18 AWG / 1C + SHIELDING, UL 80°C 300V VW-1, 1550 mm
2. Depends on customers requirements.

MECHANICAL DRAWINGS

Unit: inches (mm)

Europe (EU) Type

United Kingdom (UK) Type



Standard Output Cable

1. AWM 1185 # 18 AWG / 1C + SHIELDING, UL 80°C 300V VW-1, 1550 mm
2. Depends on customer's requirements.

COMPANY INFORMATION

Wall Industries, Inc. has created custom and modified units for over 50 years. Our in-house research and development engineers will provide a solution that exceeds your performance requirements on-time and on budget. Our ISO9001-2008 certification is just one example of our commitment to producing a high quality, well-documented product for our customers.

Our past projects demonstrate our commitment to you, our customer. Wall Industries, Inc. has a reputation for working closely with its customers to ensure each solution meets or exceeds form, fit and function requirements. We will continue to provide ongoing support for your project above and beyond the design and production phases. Give us a call today to discuss your future projects.

Contact **Wall Industries** for further information:

<u>Phone:</u>	☎ (603)778-2300
<u>Toll Free:</u>	☎ (888)587-9255
<u>Fax:</u>	☎ (603)778-9797
<u>E-mail:</u>	sales@wallindustries.com
<u>Web:</u>	www.wallindustries.com
<u>Address:</u>	5 Watson Brook Rd. Exeter, NH 03833