

PCE-3B06-02 Backplane: 6 Slot PICMG 1.3 Halfsize BP for 6-slot Wallmount Chassis, 1 x PCIe x16, 2 x PCIe x1, 2 x 32-bit/33 MHz PCI

Startup Manual

Packing List

Before you begin installing your card, please make sure that the following items have been shipped:

- PCE-3B06-02 startup manual p/n: 20063B0600
- 2-year quality warranty card p/n: 2190000902

If any of these items are missing or damaged, please contact your distributor or sales representative immediately.

Specifications

Standard Functions

- **PICMG 1.3 slots:**
 - PCE-3B06-02 supports PICMG 1.3 half-size mainstream SHB (PCE-3XXX series) and server grade SHB (PCE-4XXX series)
- **PCIe slots:**
 - PCE-3B06-02 supports one PCIe x16 slot, two PCIe x1 slot
- **PCI slots:**
 - PCE-3B06-02 supports two PCI slots (32 bit/33 MHz)

Mechanical and Environment

- **Dimensions:** 176 x 142.17 mm
- **Power supply voltage:** +12 V, +5 V, -12 V, +3.3 V +5 VSB
- **Power requirements:** Refer to the CPU Board, add-on card & peripherals
- **Operating temperature:** 0 ~ 60 °C
- **Weight:** 0.172 kg (weight of board)

For more information on this and other Advantech products, please visit our website at:

<http://www.advantech.com>

<http://www.advantech.com/eplatform>

For technical support and service, please visit our support website at:

<http://www.advantech.com.tw/support>

This manual is for the PCE-3B06-02 series.

Part No. 20063B0600

1st Edition

Printed in China

December 2013

Connectors

Connectors	
Label	Function
SHBA1 ~ SHBB1	PICMG1.3 CPU board slot
PPCIE1	PCIe x1 slot
PPCIE2	PCIe x16 slot
PPCIE3	PCIe x1 slot
PPCI1~PPCI2	PCI slot
EATXPWR1	ATX2.0 24-pin power connector
PWR1	Big 4 pin power connector
VOLT1	Alarm board power connector
ATX12V1	ATX 12V Auxiliary 4-pin power connector
FAN1~FAN3	FAN connector
SMBUS1	SMBUS connector for chassis monitor
JFP1	Power and Reset button connector

Jumpers

Jumpers	
Label	Function
PSON1	ATX/AT Mode Selection
JFAN_CTRL1	System Smart Fan Control

EATXPWR1

Pin	Name
1	3.3 V
2	3.3 V
3	GND
4	5 V
5	GND
6	5 V
7	GND
8	Power OK
9	5 V SB
10	12 V
11	12 V
12	3.3 V
13	3.3 V
14	-12 V
15	GND
16	PSON#
17	GND
18	GND
19	GND
20	-5 V
21	5 V
22	5 V
23	5 V
24	GND

Jumpers

ATX12V1

Pin	Name
1	GND
2	GND
3	12 V
4	12 V

PWR1

Pin	Name
1	12 V
2	GND
3	GND
4	5 V

VOLT1

Pin	Name
1	5 VSB
2	GND
3	GND
4	-5 V
5	5 V
6	3.3 V
7	-12 V
8	12 V

FAN1 ~ FAN3

Pin	Name
1	GND
2	12 V
3	FANIO1~FANIO3

SMBUS1

Pin	Name
1	5 V
2	SMBCLK
3	SMBDAT
4	GND

Jumpers

JFP1

Pin	Name
1	PWRBTN#
2	GND
3	RESET#
4	GND

PSON1: ATX/AT Mode Selection

Jumper Setting	Function
1-2	AT mode
2-3 (Default)	ATX mode



JFAN_CTRL1: System Smart Fan Control

Jumper Setting	Function
1-2 (Default)	Smart fan
2-3	Full speed fan



Locating Connectors and Jumpers

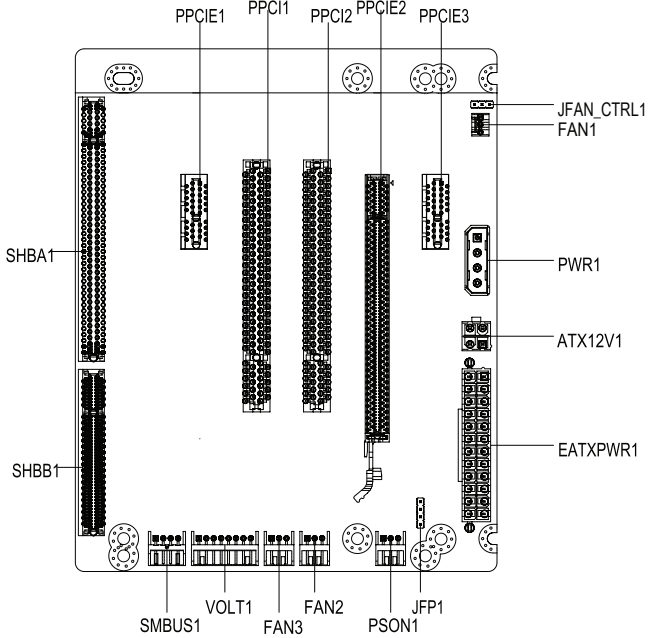


Figure 1: Board layout

Board Dimensions

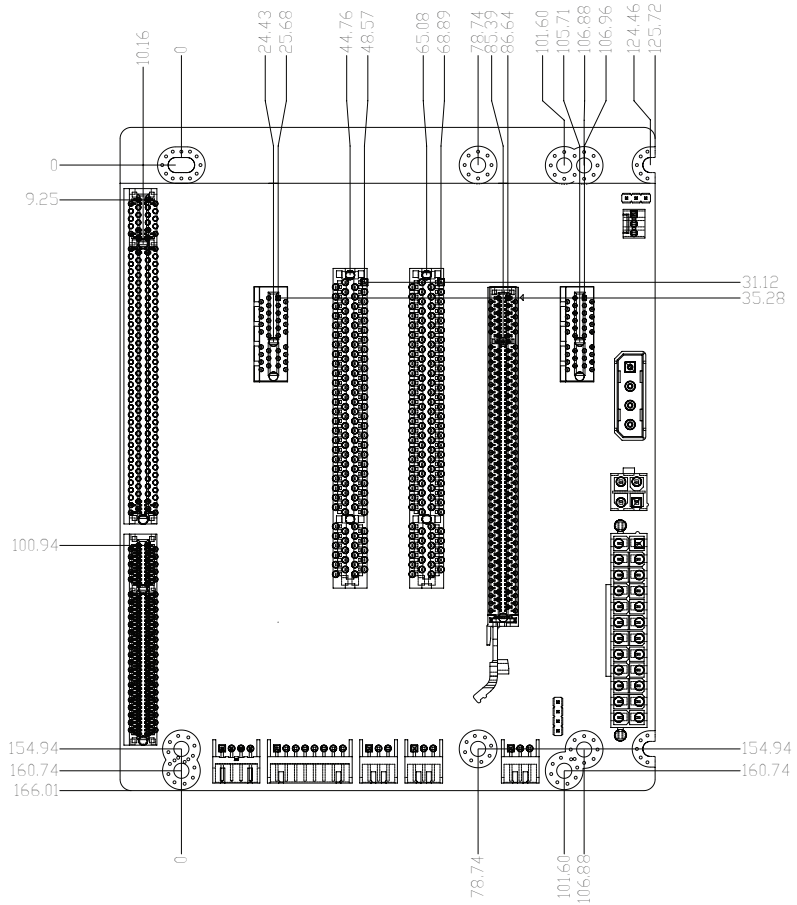


Figure 2: Board dimensions

Board Diagram

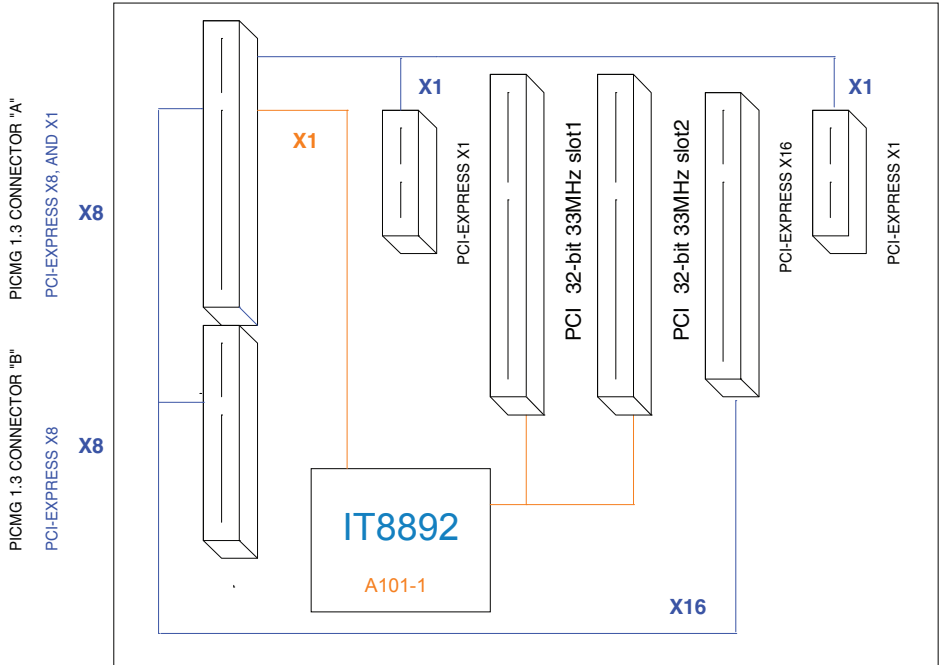


Figure 3: Board diagram