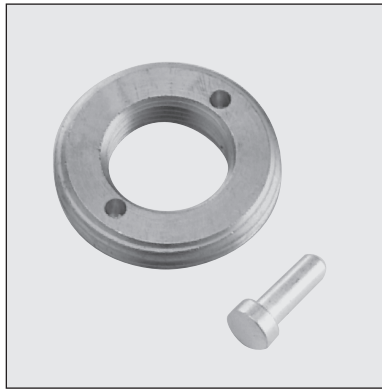


PARTS/ACCESSORIES



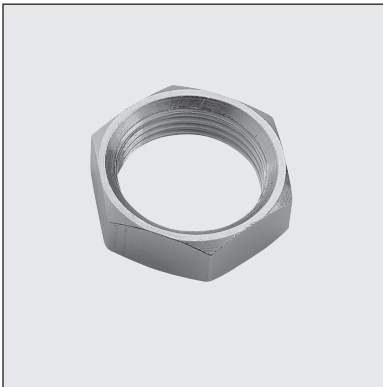
MODEL	DESCRIPTION
6 x 32	Set Screws
8 x 32	Set Screws



MODEL	DESCRIPTION
A4	BSA/BA/SO-239 to NMO mount adapter



MODEL	DESCRIPTION
BA	Bulkhead mount adapter with hardware



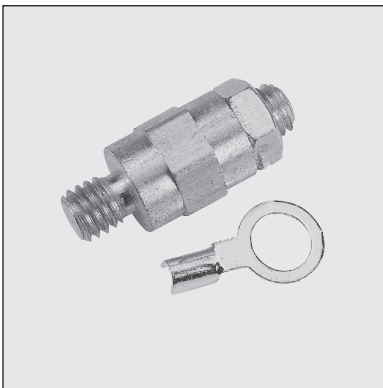
MODEL	DESCRIPTION
BAHEXNUT	Hex nut for BA



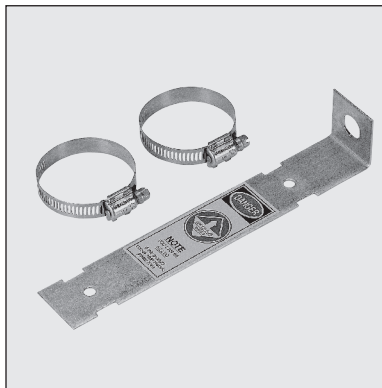
MODEL	DESCRIPTION
BALL1B	Black teardrop rod tip for W490, W540 tapered rods
BALL2B	Black teardrop rod tip for Q and NMOQ antennas
BALL3B	Black teardrop rod tip for .100 diameter non-tapered rods
BALL4	Rod tip WBQ800 antennas



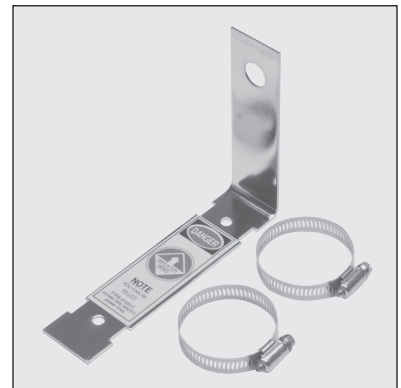
MODEL	DESCRIPTION
BANOHardware	Bulkhead mount adapter without hardware



MODEL	DESCRIPTION
BATTBOLT	Battery bolt with terminals, 3/8" ring leads



MODEL	DESCRIPTION
FB2BRACKET	Mounting bracket and hardware for FB2 series



MODEL	DESCRIPTION
FB3BRACKET	Mounting bracket and hardware for blade and round FB antennas

NOTE: Antennas are not to scale

1 800 ANTENNA (268-3662)

PARTS/ACCESSORIES



MODEL	DESCRIPTION
GROMMETS	Qty 100 plastic grommet secures/centers coax, 3/4" hole



MODEL	DESCRIPTION
HP34	Plastic hole plug for 3/4" hole
HP38	Plastic hole plug for 3/8" hole



MODEL	DESCRIPTION
HS1	3/4" hole saw fits 3/8" or larger drills



MODEL	DESCRIPTION
HSBLADE	Replacemng blades for HS1



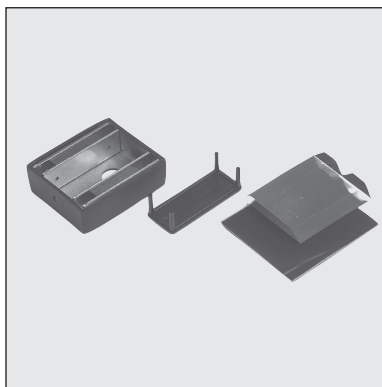
MODEL	DESCRIPTION
KGREINSTALL	KG glassmount reinstallation kit die cut tape



MODEL	DESCRIPTION
KGREINSTALLDC	KG glass mount reinstallation kit die cut tape



MODEL	DESCRIPTION
KGSWIVEL.073	KG swivel mount assembly, .073 dia
KGSWIVEL.100	KG swivel mount assembly, .100 dia



MODEL	DESCRIPTION
MM34	Rectangular mag mount housing, 3/4" hole



MODEL	DESCRIPTION
NMOBRASSRING	Nickel plated brass ring for NMO and NMOHF mounts

PARTS/ACCESSORIES



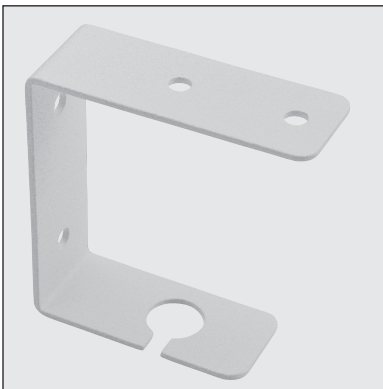
MODEL	DESCRIPTION
NMOCAPB	Rain cap for NMO mount



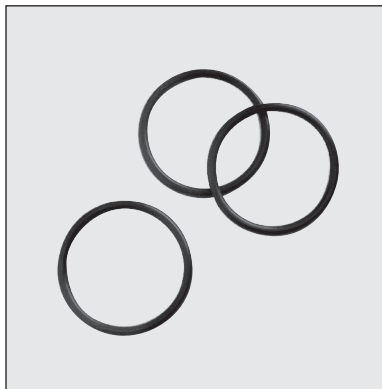
MODEL	DESCRIPTION
HFCENTERCONTACT	NMOHF Center Contacts and Insulators - 10 each



MODEL	DESCRIPTION
NMOTEST1	Test adapter for NMO mount



MODEL	DESCRIPTION
OCBRACKET	3" Tall bracket for ceiling or wall mount, Cool Grey



MODEL	DESCRIPTION
OLMNT	O ring for LM mount
ONMOANT	O ring for NMO antennas/bases
ONMOMNT	O ring for NMO mount
OPOMNT	O ring for PO mount



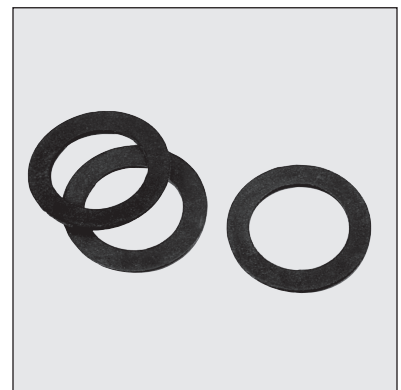
MODEL	DESCRIPTION
QCONE.073	Chrome Q cone / Q base, .073 dia.
QCONE.100	Chrome Q cone / Q base, .100 dia.
QCONE.125	Chrome Q cone / Q base, .125 dia.



MODEL	DESCRIPTION
QCONE.073B	Black Q cone / Q base, .073 dia.
QCONE.100B	Black Q cone / Q base, .100 dia.
QCONE.125B	Black Q cone / Q base, .125 dia.



MODEL	DESCRIPTION
RGFB1ANT	Rubber gaskets for FBI antenna

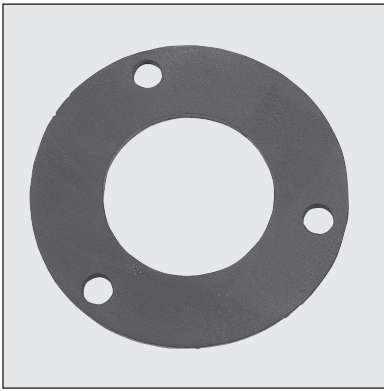


MODEL	DESCRIPTION
RGNMOANT	Rubber gasket for NMO coil/bases
RGPOMNT	Rubber gasket for PO mounts

NOTE: Antennas are not to scale

1 800 ANTENNA (268-3662)

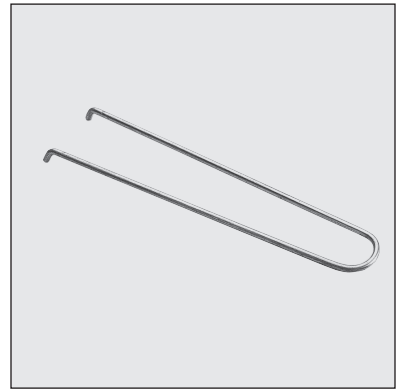
PARTS/ACCESSORIES



MODEL RGOMANT **DESCRIPTION** Rubber gasket for OM bases



MODEL RGSS **DESCRIPTION** Rubber SuperSeal gasket for MakroBlend® coils / bases



MODEL SPANNER **DESCRIPTION** Spanner wrench for PO and NMOK mounts



MODEL SPRING **DESCRIPTION** Chrome shock spring



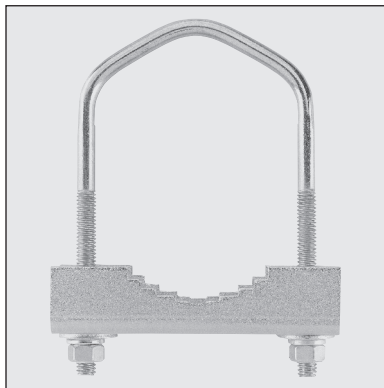
MODEL SPRINGB **DESCRIPTION** Black shock spring



MODEL WACLIP **DESCRIPTION** Mounting clips for WA700/2700 Series - 2 per package



MODEL WASUCTIONCUP **DESCRIPTION** Suction cup mounts for WA700/2700 Series - 2 per package



MODEL YAGIKITHD **DESCRIPTION** Mounting hardware for 2 1/2" pipe for YA3, YA5 and YA6 antennas