

# GREEN SINGLE CHANNEL CWDM OADM (2x2)

## COADMG 2x2 Series

### Product Description

Oplink's Optical Add/Drop Multiplexer is based on patented athermal platform for optical device. This multiplexer features ultra low insertion loss, super thermal stability, and unparallel reliability. The technology is a lead-free packaging platform and no epoxy in the optical path. Green CWDM is Telcordia GR-1221 and GR-1209 tested, qualified for uncontrolled environment applications and complied with industry green initiatives such as RoHS and WEEE.

Oplink can provide customized designs to meet specialized feature applications. Also, Oplink offers modular assemblies that integrate other components to form a full function module or subsystem.

### Performance Specification

CWDMOADMG Series		Min	Typical	Max	Unit
Working Wavelength Range		1464~1618			nm
Center Wavelength $\lambda_c$		ITU Grid			nm
Channel Spacing		20			nm
Passband Bandwidth		$\lambda_c \pm 6.5$			nm
Insertion Loss <sup>1)</sup>	Add/Drop		0.35	0.45	dB
	Express		0.60	0.70	
Polarization Dependent Loss (PDL)				0.20	dB
Passband Ripple				0.25	dB
Adjacent Channel Isolation		30			dB
Non-adjacent Channel Isolation		40			dB
Express Channel Isolation		20			dB
Polarization Mode Dispersion (PMD)				0.20	ps
Return Loss		45			dB
Directivity		50			dB
Operating Power				500	mW
Operating Temperature		0 to +70			°C
Storage Temperature		-40 to +85			°C
Fiber Type		Corning SMF-28			
Package Dimensions <sup>3)</sup>		125 x 90 x 8			mm

Note:

<sup>1)</sup> The maximum IL is under all states of polarization and within the full operating temperature and wavelength ranges specified.

<sup>2)</sup> All the parameters are excluding connectors.

<sup>3)</sup> The mechanical tolerance should be +/-0.2 mm on all package dimensions unless otherwise custom specified.

### Center Channel Wavelength Table (nm, ITU Grid):

1471.0	1491.0	1511.0	1531.0
1551.0	1571.0	1591.0	1611.0



### Features

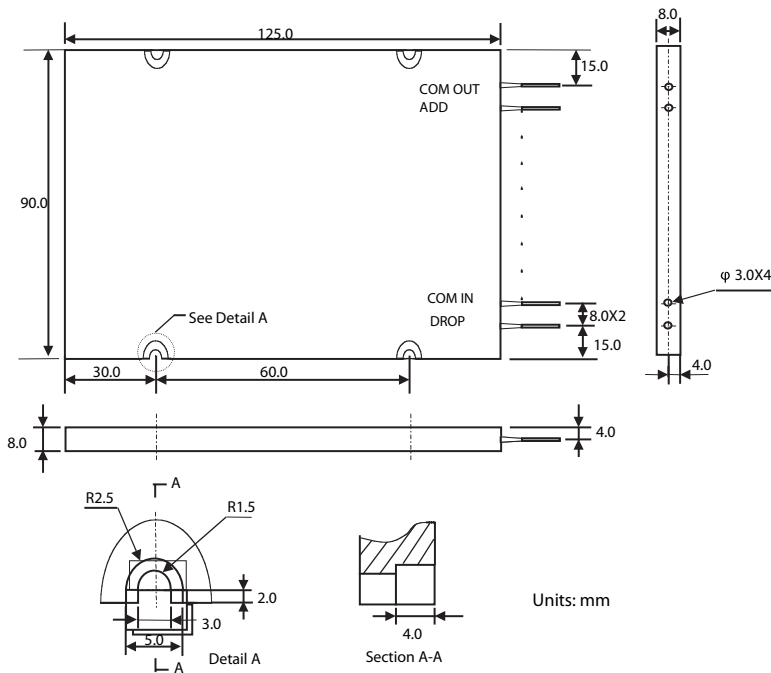
- ◆ Environmental Green Plan Compliance
- ◆ Ultra-Low Insertion Loss
- ◆ Narrow Down Distribution
- ◆ Super Thermal Stability
- ◆ Highly Reliability
- ◆ High Channel Isolation
- ◆ Epoxy-free Optical Path

### Applications

- ◆ Add/Drop Channels
- ◆ WDM Systems

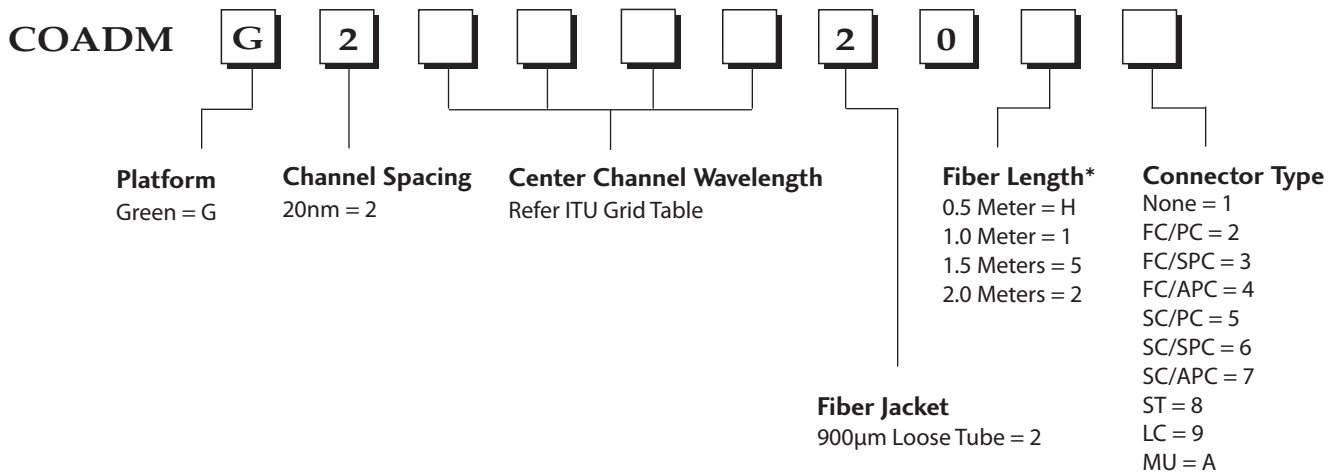
**COADMG 2X2 SERIES**

**Mechanical Drawing / Package Dimensions (dimension in mm)**



**Ordering Information**

Oplink can provide a remarkable range of customized optical solutions. For detail, please contact Oplink's OEM design team or account manager for your requirements and ordering information (510) 933-7200.



\* The tolerance of fiber length is +/-0.1m. 1 meter is standard. The lead-time for special fiber length will be longer.