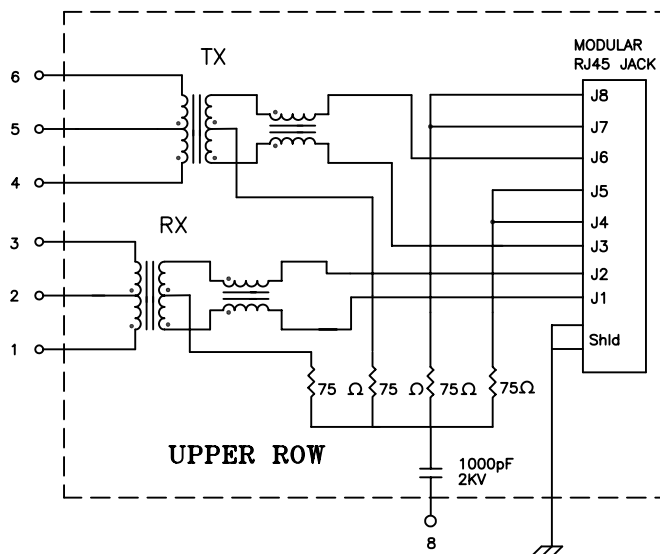
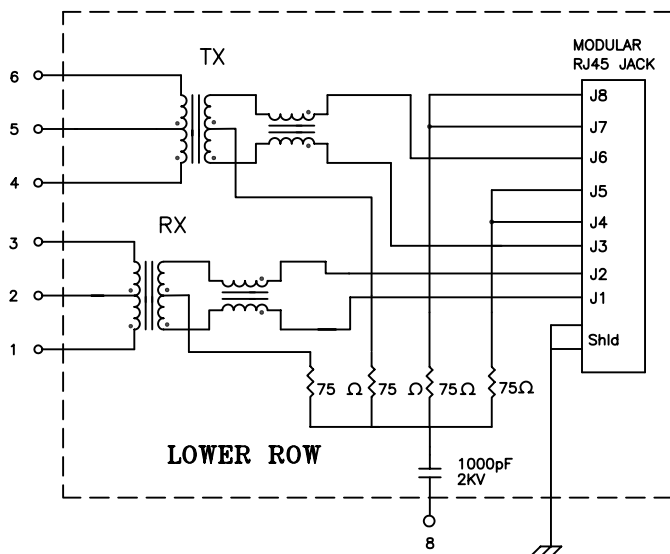


## Schematic:



## Electrical Specifications: 25°C

URNS RATIO: TX 1CT:1CT±3%, RX 1CT:1CT±3%

Isolation Voltage: 1500 Vrms (INPUT to OUTPUT)

UTP SIDE OCL: 350uH Min @100KHz 100mV 8mADC

Rise Time (10–90%): 2.5ns Typical

Insertion Loss (1–100MHz): –1.0dB Maximum

Insertion Loss (100MHz–125MHz): –1.5dB Typ.

Return Loss: –20dB Typ. @30MHz

–12dB Typ @80MHz

Crosstalk 32MHz: 40.0dB Min

62MHz: 35.0dB Min

100MHz: 30.0dB Min

CMRR 100KHz–100MHz: 35.0dB Typ

### Notes:

1. Solderability: Leads shall meet MIL–STD–202G, Method 208H for solderability.
2. Flammability: UL94V–0
3. ASTM oxygen index: > 28%
4. Insulation System: Class F 155°C. UL file E151556
5. Operating Temperature Range: All listed parameters are to be within tolerance from –40°C to +85°C
6. Storage Temperature Range: –55°C to +125°C
7. Aqueous wash compatible
8. Electrical and mechanical specifications 100% tested
9. RoHS Compliant Component

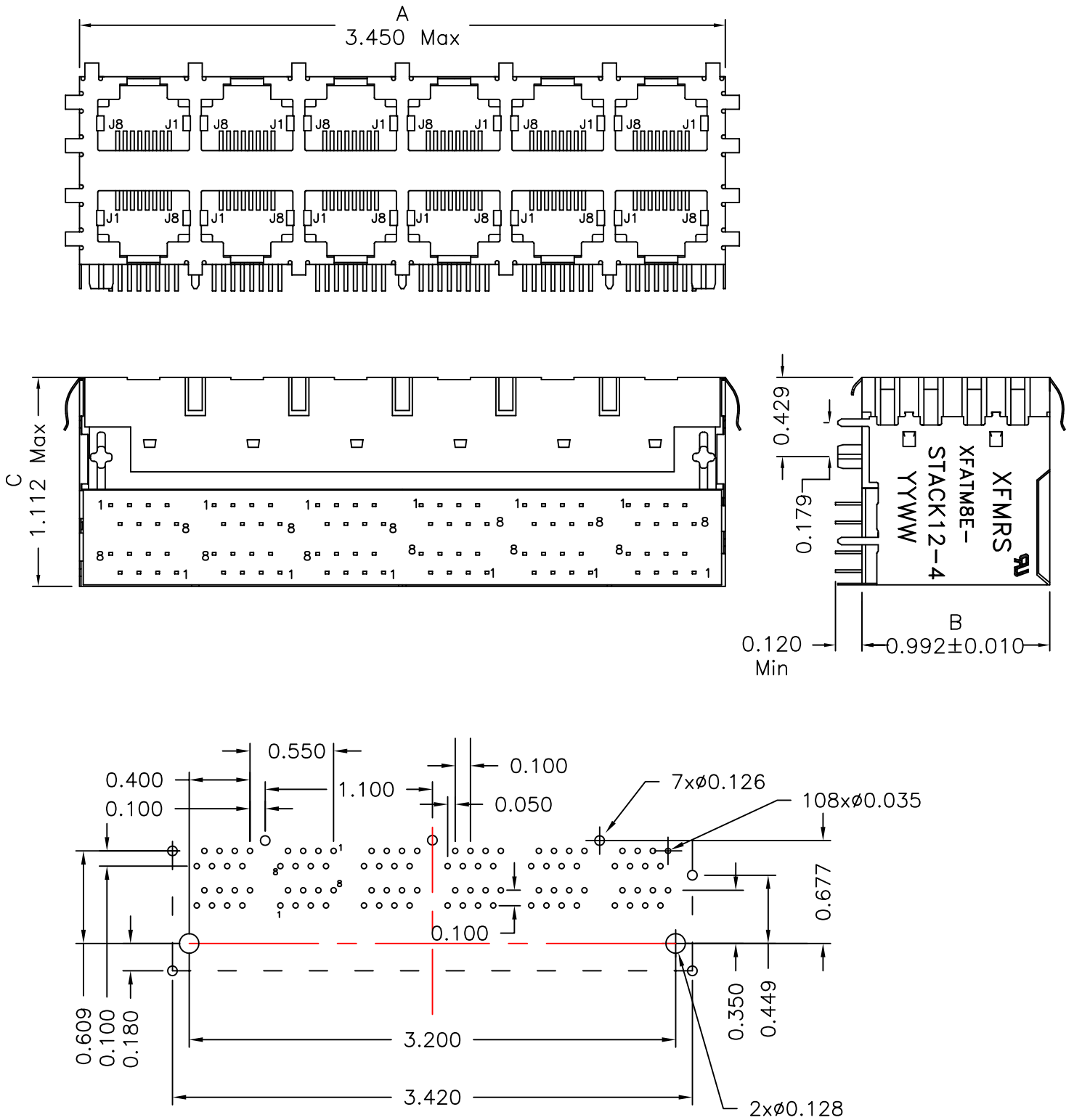
DOC REV: A/1

<b>XFMRs Inc.</b> www.XFMRS.com		Title: <b>2x6 STACKED COMBO SERIES</b>	
UNLESS OTHERWISE SPECIFIED TOLERANCES: .xxx ±0.010 Dimensions in Inch		P/N: XFATM8E–STACK12–4	REV. A
		DWN.	Mei Chen Jan–05–10
		CHK.	YK Liao Jan–05–10
SHEET 1 OF 2		APP.	BW Jan–05–10

**PROPRIETARY:**

Document is the property of XFMRs Group & is not allowed to be duplicated without authorization.

# Mechanical Dimensions:



DOC. REV. A/1

**PROPRIETARY:**

Document is the property of XFMR8 Group & is not allowed to be duplicated without authorization.

**XFMR8 Inc**  
www.XFMR8.com

Title: Mechanical Dimensions  
For 2x6 STACKED COMBO Series

UNLESS OTHERWISE SPECIFIED  
TOLERANCES:  
.xxx ±0.010  
Dimensions in Inch

P/N: XFATM8E-STACK12-4

REV. A

DWN.

Mei Chen

Jan-05-10

CHK.

YK Liao

Jan-05-10

APP.

BW

Jan-05-10

SHEET 2 OF 2