

# LTM3-01



## Ultra-Miniature Illuminated Pushbutton Switches With Connector Socket

RoHS Compliant

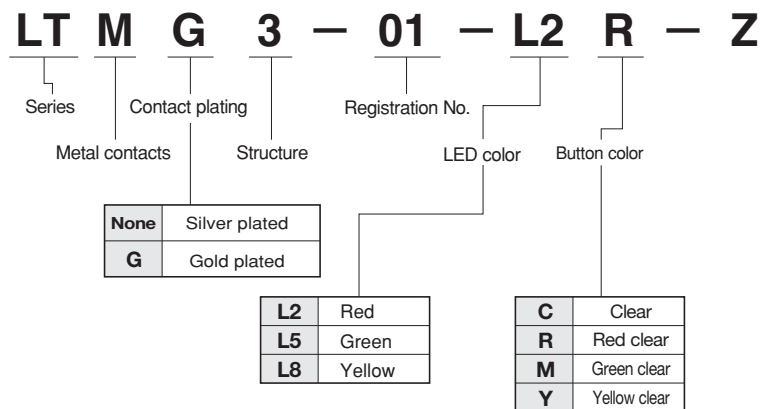
### Features

1. Metal contact for sharp tactile feel.
2. Snap-in panel mount.
3. Connector socket for easy installation.

### Specifications

Rating	1VA max. (50mA max.48VDC max)
Initial Contact Resistance	100m Ω max. (1.5mA 200 μ VAC at 1.96N)
Dielectric Strength	250VAC 1 minute
Insulation Resistance	100MΩ min (100VDC)
Electrical Life	300,000 operations
Contact Bounce	10 msec. max. (initial value)
Travel	0.25 mm
Operating Force (at peak force)	1.37 ± 0.39N
Operating Temperature Range	-25~+70°C
Storage Temperature Range	-40~+70°C

### Part Numbering



### LED Specifications

Symbol	LED Color	Forward Current (If)	Forward V (Vf)		Reverse Voltage (Vr)
			nom.	max.	
L2	Red	30mA	2.0V	2.5V	DC5V
L5	Green	25mA	2.2V	2.5V	DC5V
L8	Yellow	30mA	2.1V	2.5V	DC5V

### Applicable Connector

ZHR-2 (Housing)  
by J.S.T. MFG CO.,LTD.

### Panel Cut-Out Dimensions

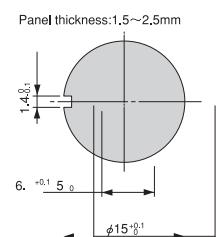
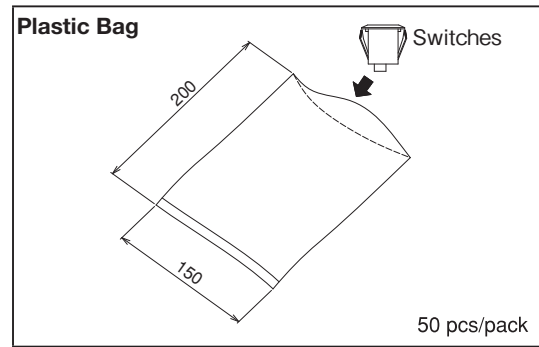


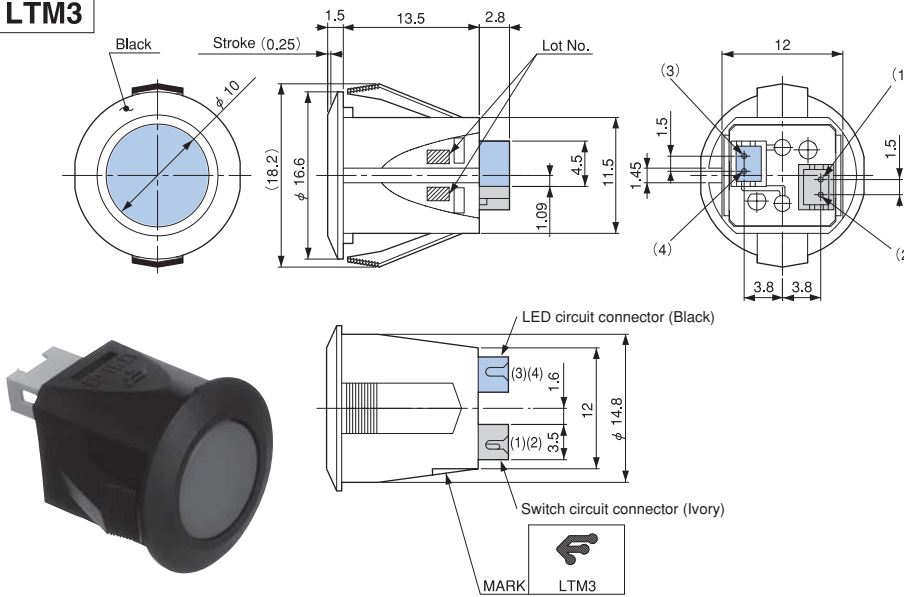
Table of Part Numbers

		Illuminated	
LED color	Button color	Contact plating	
		Silver	Gold
Red	Clear	★LTM3-01-L2C-Z	★LTMG3-01-L2C-Z
	Red	★LTM3-01-L2R-Z	★LTMG3-01-L2R-Z
Green	Clear	★LTM3-01-L5C-Z	★LTMG3-01-L5C-Z
	Green	★LTM3-01-L5M-Z	★LTMG3-01-L5M-Z
Yellow	Clear	★LTM3-01-L8C-Z	★LTMG3-01-L8C-Z
	Yellow	★LTM3-01-L8Y-Z	★LTMG3-01-L8Y-Z

Packaging Specifications



LTM3



Part No.	Switching function	
LTM3-01-L ■■ -Z LTMG3-01-L ■■ -Z	OFF	(ON)
Connecting terminals	—	(1) — (2)
LED circuit		

(ON) : Momentary

Handling Precautions

(1) Cleaning

The frame of the switch is made of polyamide resin and the color button is made of ABS resin. Use alcohol or water to wipe the main body and make sure the cleaning solvent does not infiltrate the switch. Do not use organic solvent as this may cause product defect.

(3) Pushbutton Strength

Do not press down the button with force exceeding 9.8 N. Bottom of the switch may pop out.

(2) Panel Cutout

When cutting out the panel, press through the panel from the front side. Also make sure to mount the switch from the front side of the panel. This will help the mount spring on both sides of the switch latch on to the edge of the hole.