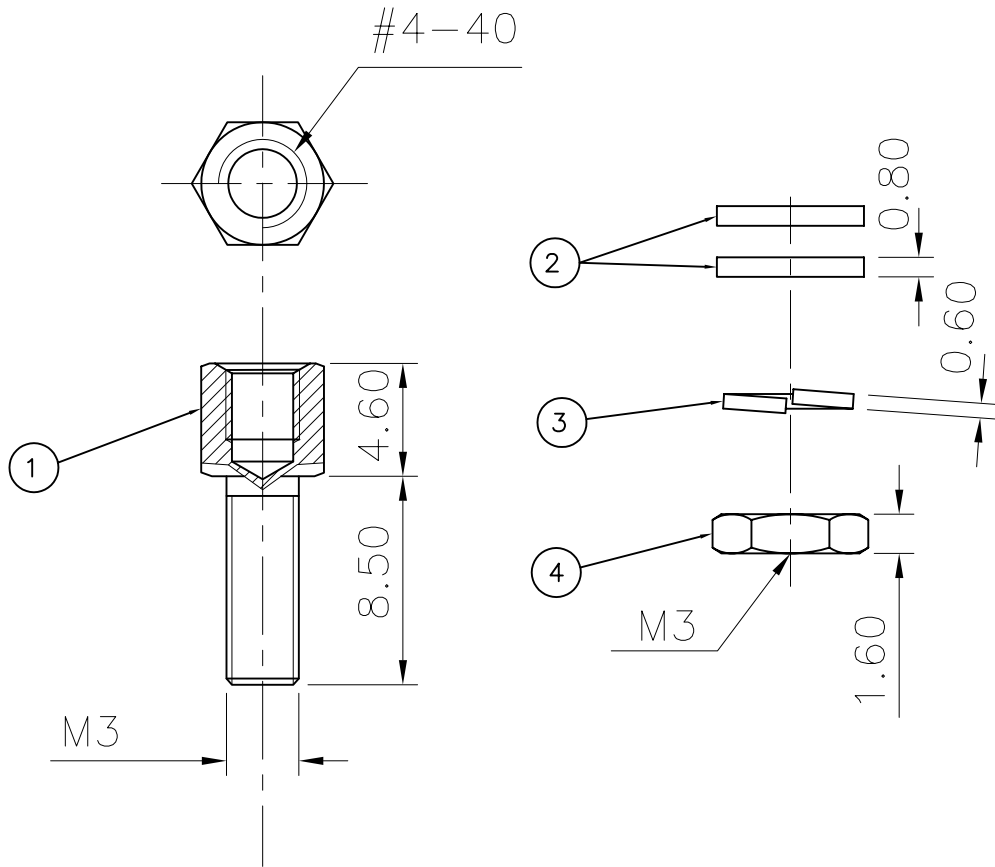


This document is the property of Amphenol Corporation and is delivered on the express condition that it is not to be disclosed, reproduced or used, in whole or in part, for manufacture or sale by anyone other than Amphenol Corporation without its prior consent, & that no right is granted to disclose or to use any information in this document.



REVISIONS				
SYM	ECN	DESCRIPTION	DATE	APPROVED
A			09/17/07	

D-SUB TECHNICAL DATA

MATERIAL:

screwlock: steel,100u" min sn over 50u" min nickel
 washer: steel,100u" min sn over 50u" min nickel
 lock washer: steel,100u" min sn over 50u" min nickel
 nut: steel,100u" min sn over 50u"

PACKAGE:

delivered separately
 1 P/N = 10sets

MARKING:

Amphenol...(Series No.) Commercial reference
 Manufacturing date

- ① SCREW
- ② WASHERS
- ③ LOCK WASHER
- ④ NUT



UNLESS OTHERWISE SPECIFIED TOLERANCES		APPROVAL		DATE	Amphenol	
	U.S.	METRIC	DRAWN	Christina.cui		09/17/07
.X	+/-	0.50	CHECKED	Wk.wang		09/17/07
.XX	+/-	0.30	CHECKED			
.XXX	+/-	0.20				
FRACTIONS +/-		2'	DRAWING FILE :		TITLE	
ANGLES +/-					Accessory, screwlock with nut and washers	
FOR MATERIALS AND FINISHES SEE NOTES		REMOVE SHARP EDGES		ANGLE OF PROJECTION		
DIMENSIONS		U.S.		INCHES		
METRIC		MM		SCALE		
				NONE		
				SHEET 1 OF 1		
				SIZE DRAWING NO.		
				A4 C L17D2041843X(10PCES)		
				REV. A		