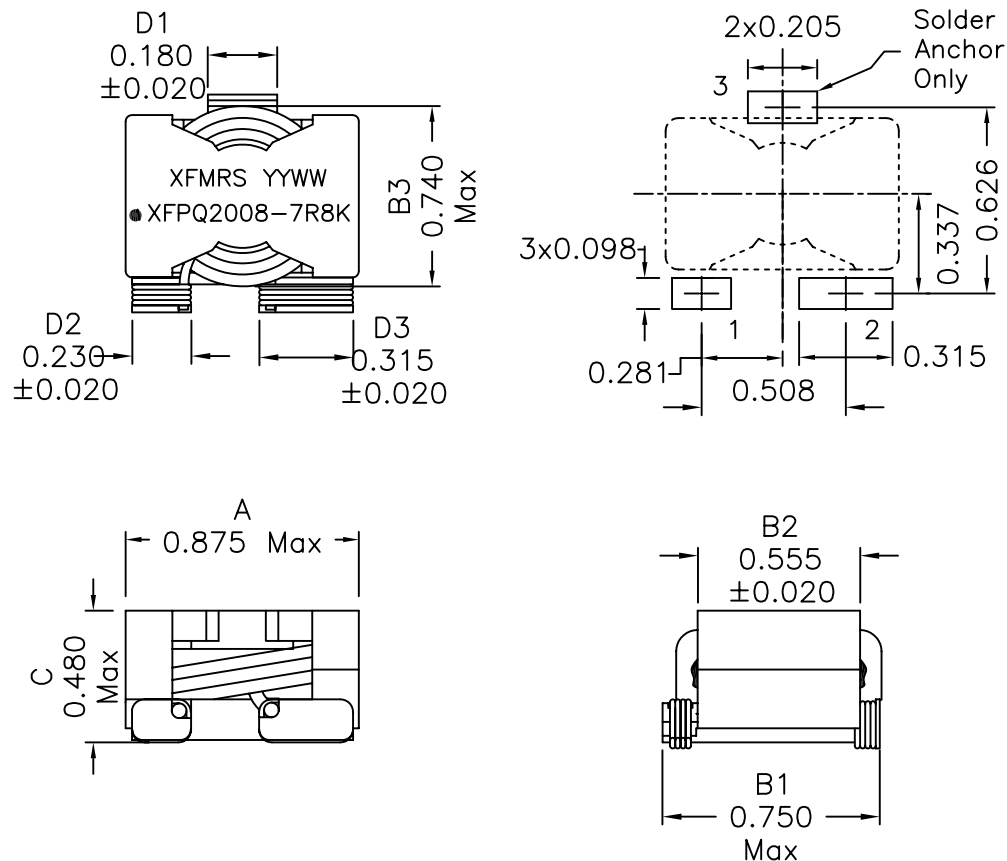
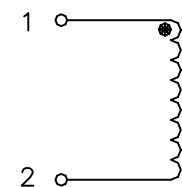


1. Mechanical Dimensions:



2. Schematic:



3. Electrical Specifications: @25°C

OCL: 7.8uH±10% @10KHz 1.0V, 0Adc

Q: Pins 1-2 15 Min @100KHz 1.0V

IDC: 7.8uH Typ @10KHz 1.0V, 13.3Adc

DCR: 5.1mOhms±8%

Saturation Current Isat: 18A Typ (OCL 20% drop in OCL) @25°C

16A Typ (OCL 20% drop in OCL) @100°C

Heating Current IDC: 13.3A Typ (OCL 40°C Temp Rise)

Notes:

- Solderability: Leads shall meet MIL-STD-202G, Method 208H for solderability.
- Flammability: UL94V-0
- ASTM oxygen index: > 28%
- Insulation System: Class F 155°C. UL file E151556
- Operating Temperature Range: All listed parameters are to be within tolerance from -40°C to +130°C
- Storage Temperature Range: -55°C to +130°C
- Aqueous wash compatible
- SMD Lead Coplanarity: ±0.004"(0.102mm)
- Electrical and mechanical specifications 100% tested
- RoHS Compliant Component

DOC. REV: A/1

PROPRIETARY Document is the property of XFMRS Group & is not allowed to be duplicated without authorization.

XFMRS Inc www.XFMRS.com		Title: XFPQ2008 SMT POWER INDUCTORS	
UNLESS OTHERWISE SPECIFIED TOLERANCES: .xx ±0.010	P/N: XFPQ2008-7R8K		REV. A
	DWN.	Xiany	Dec-14-09
Dimensions in Inch	CHK.	YK Liao	Dec-14-09
Scale 2.5:1 SHT 1 OF 1	APP.	BW	Dec-14-09