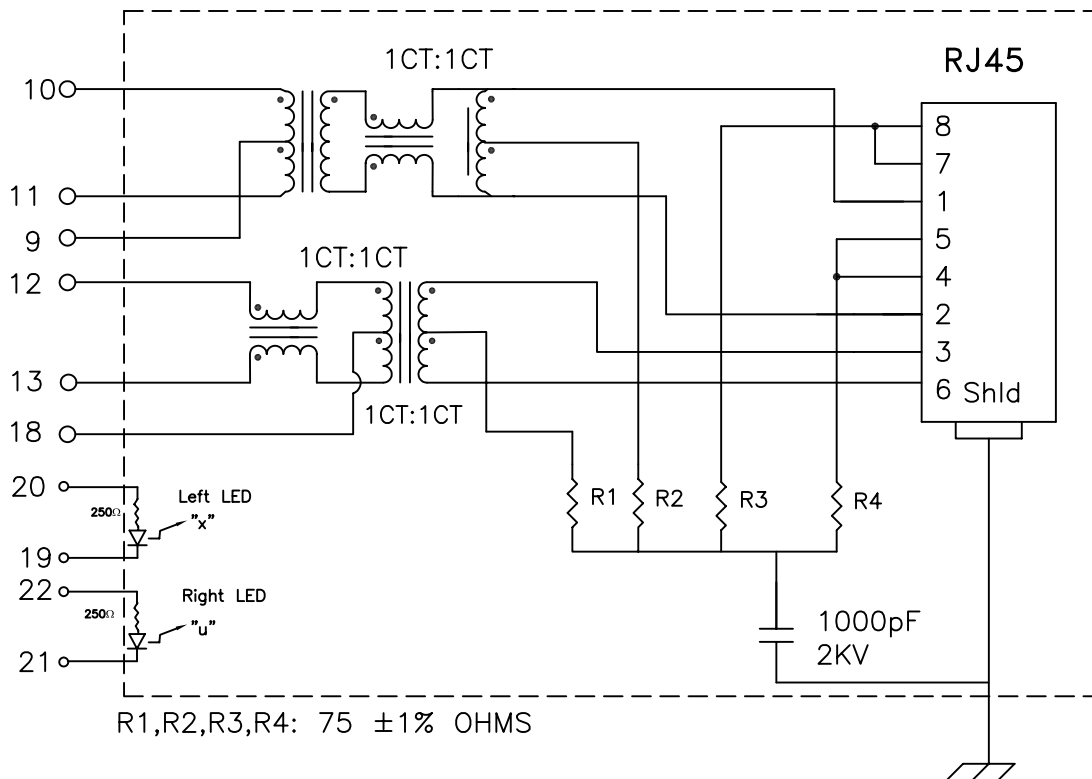


# Schematic:



## Electrical Specifications: @25°C

Isolation Voltage: 1500Vrms(INPUT to OUTPUT), 500Vrms(TD to RD)

UTP SIDE OCL: 350uH Min @100KHz 100mV 8mADC

Rise Time (10-90%): 2.5ns Typical

Insertion Loss (300KHz-100MHz): -1.1dB Maximum

Insertion Loss (100MHz-125MHz): -1.5dB Maximum

Return Loss: -18dB Typ @30MHz

-12dB Typ @80MHz

Crosstalk:

100KHz-60MHz -40dB Typical

60MHz-100MHz -38dB Typical

Common Mode to Differential Mode Rejection:

100KHz-60MHz -45dB Typ (Tx) / -40dB Typ (Rx)

60MHz-100MHz -40dB Typ (Tx) / -35dB Typ (Rx)

Complete the Combo P/N as follows:

Replace 'x' & 'u' in the part number with one of the LED color letters:

Y=Yellow

G=Green

A=Amber

R=Red

C=Green(1)/Amber(2) Bicolor

D=Amber(1)/Green(2) Bicolor

M=Green(1)/Yellow(2) Bicolor

N=Yellow(1)/Green(2) Bicolor

P=Red(1)/Green(2) Bicolor

Q=Green(1)/Red(2) Bicolor

Single Color LED:

Bi-Color LED:

(1)

(2)

### Notes:

- Solderability: Leads shall meet MIL-STD-202G, Method 208H for solderability.
- Flammability: UL94V-0
- ASTM oxygen index: > 28%
- Insulation System: Class F 155°C. UL file E151556
- Operating Temperature Range: All listed parameters are to be within tolerance from -40°C to +85°C
- Storage Temperature Range: -55°C to +125°C
- Aqueous wash compatible
- Electrical and mechanical specifications 100% tested
- RoHS Compliant Component

DOC. REV A/2

**XFMRs Inc.**  
www.XFMRs.com

Title: **Stacked USB COMBO**

UNLESS OTHERWISE SPECIFIED

P/N: XFATM6AB-USBZxu-2

REV. A

TOLERANCES:

DWN.

Xian yi

Oct-23-09

.xxx ±0.010

Dimensions in Inch

CHK.

YK Liao

Oct-23-09

SHEET 1 OF 3

APP.

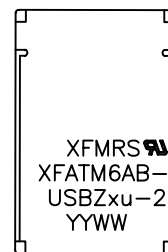
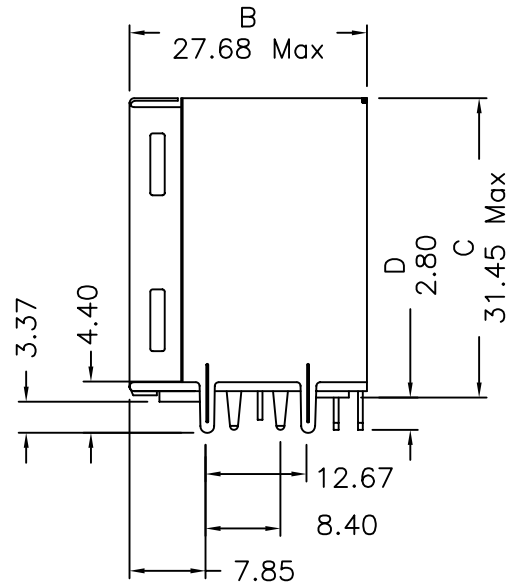
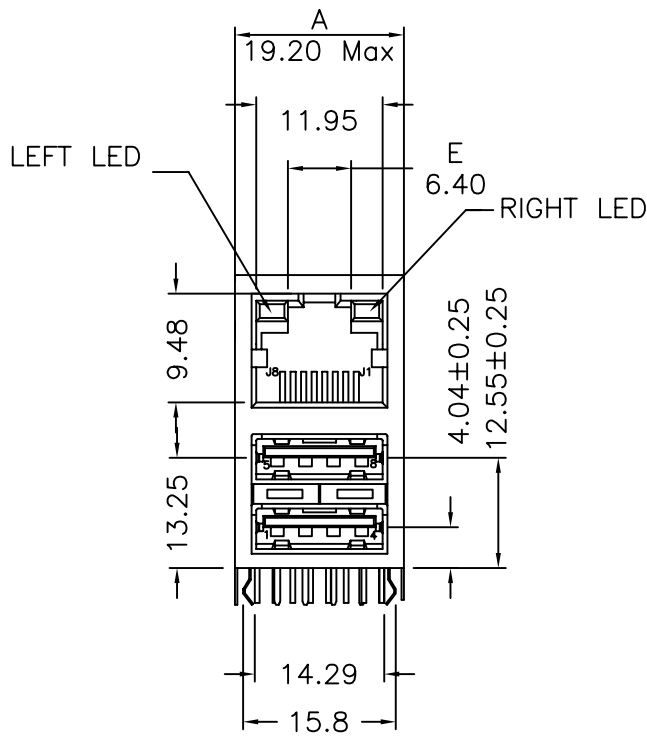
BW

Oct-23-09

**PROPRIETARY:**

Document is the property of XFMRs Group & is not allowed to be duplicated without authorization.

**Mechanical Dimensions:**



TOP VIEW

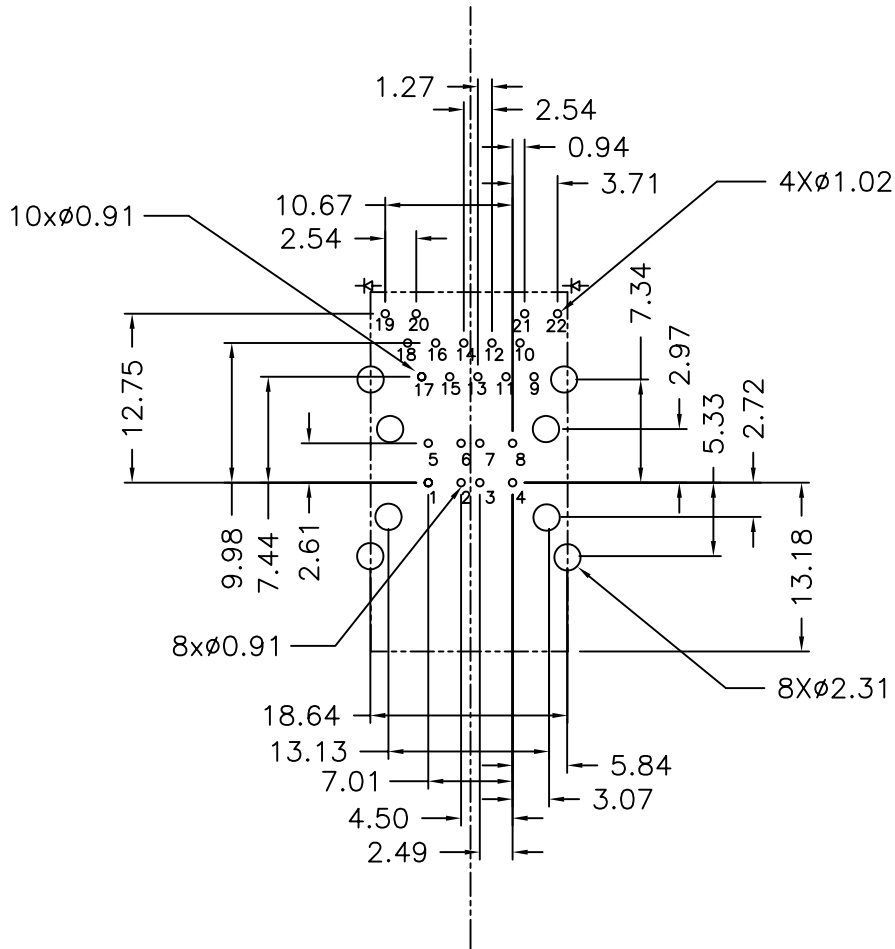
DOC. REV. A/2

<p><b>XFMRs Inc.</b> www.XFMRS.com</p>	<p>Title: Mechanical Dimensions For STACKED USB COMBO</p>		
	<p>UNLESS OTHERWISE SPECIFIED TOLERANCES: .x ±0.25 Dimensions in MM</p>	<p>P/N: XFATM6AB-USBZxu-2</p>	<p>REV. A</p>
<p>SHEET 2 OF 3</p>	<p>DWN.</p>	<p>Xian yi</p>	<p>Oct-23-09</p>
	<p>CHK.</p>	<p>YK Liao</p>	<p>Oct-23-09</p>
	<p>APP.</p>	<p>BW</p>	<p>Oct-23-09</p>

**PROPRIETARY:**

Document is the property of XFMRs Group & is not allowed to be duplicated without authorization.

### 3. Mechanical Dimensions (cont.):



SUGGESTED PC BOARD LAYOUT VIEW  
FROM COMPONENT SIDE

DOC. REV. A/2

**PROPRIETARY:**

Document is the property of XFMRS Group & is not allowed to be duplicated without authorization.

<b>XFMRS Inc.</b> www.XFMRS.com		Title: Mechanical Dimensions For STACKED RFMAG USB COMBO	
UNLESS OTHERWISE SPECIFIED TOLERANCES: .xx ±0.25 Dimensions in MM		P/N: XFATM6AB-USBZxu-2	REV. A
SHEET 3 OF 3		DWN.	Xian yi
		CHK.	YK Liao
		APP.	BW
			Oct-23-09
			Oct-23-09
			Oct-23-09